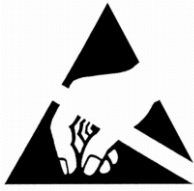


HL-503S42FC



ATTENTION
OBSERVE PRECAUTIONS
FOR HANDLING
ELECTROSTATIC
DISCHARGE
SENSITIVE
DEVICES

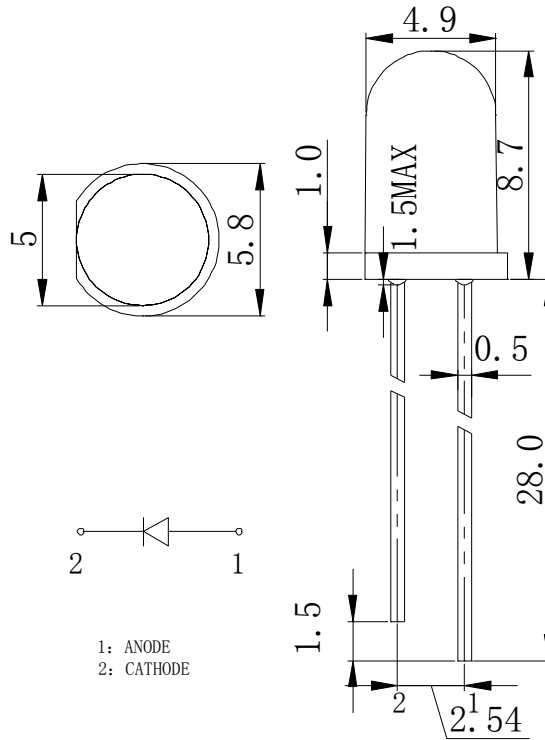
Features

- φ 5 LAMP LED
- LOW POWER CONSUMPTION.
- CABINED VIEWING ANGLE.
- IDEAL FOR BACKLIGHT AND INDICATOR.
- PACKAGE: 1000PCS / BAG.

HL-503S42FC



Package Dimensions



Description

This devices are made with GaAs..

Tolerance Grade	Dimension Tolerance (UNIT:mm)			
	0.5~3	3~6	6~30	30~120
	±0.1	±0.2	±0.3	±0.5
Chip		Lens Color		
Material	Emitting Color	Water Clear		
GaAs.	Red			

■ Absolute Maximum Rating

Item	Symbol	Value	Unit
Forward Current	I_F	20	mA
Peak Forward Current*	I_{FP}	100	mA
Reverse Voltage	V_R	5	V
Power Dissipation	P_D	80	mW
Electrostatic discharge(HBM)	E_{SD}	6	KV
Operation Temperature	T_{opr}	-30~+80	°C
Storage Temperature	T_{stg}	-30~+80	°C
Lead Soldering Temperature*	T_{sol}	Max. 260°C for 5sec Max.	

* I_{FP} Conditions: Pulse Width ≤ 10 msec

* T_{sol} Conditions: 3mm from the base of the epoxy bulb

■ Typical Optical/ Electrical Characteristics $T_a=25^\circ\text{C}$

■ The percentage of ESD approved is 90%

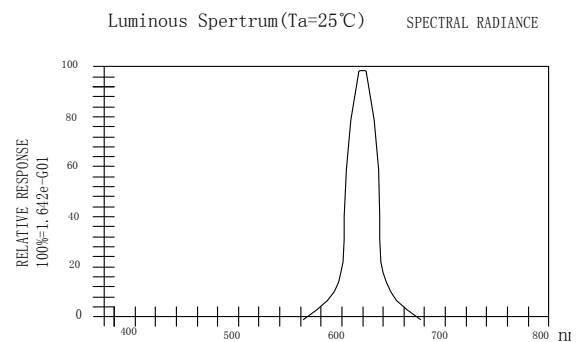
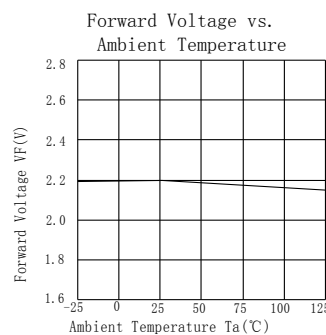
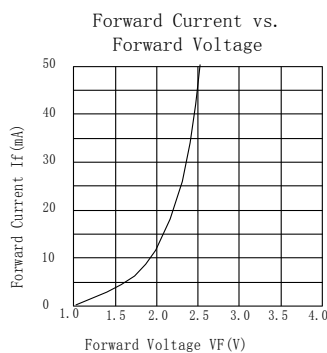
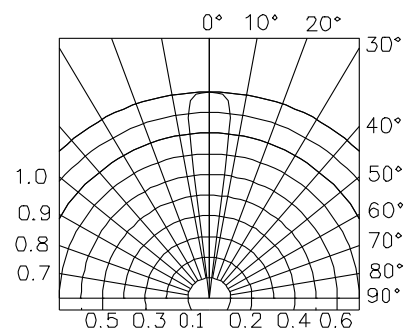
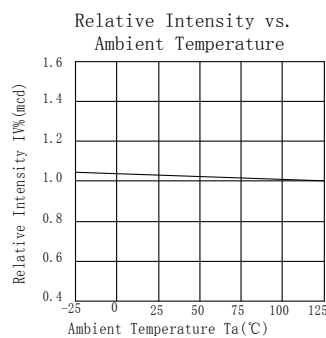
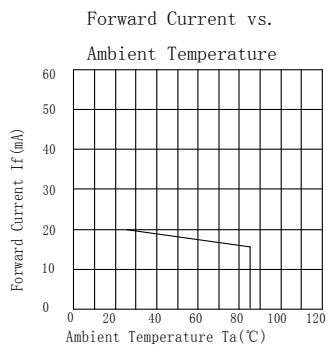
Item	Symbol	Condition	Rank	Min.	Typ.	Max.	Unit
Luminous Intensity	I_v	$I_F=20\text{mA}$	Y	4900		6370	mcd
			Z	6370		8280	mcd
			Z1	8280		10750	mcd
Forward Voltage	V_F			1.8	2.2	2.6	V
Viewing Angle	2θ 1/2			--	15	--	deg
Dominate Wavelength	λ_D			620	--	630	nm
Recommend Forward Current	$I_F(\text{rec})$	--		--	--	20	mA
Reverse Current	I_R	$V_R=5\text{V}$		--	--	20	μA

Notes:

Tolerance : $V_F \pm 0.1\text{V}$, $\lambda_d \pm 2\text{ nm}$, $I_V(\phi\text{ V}) \pm 15\%$, $2\theta\ 1/2 \pm 15\%$

**Reliability Performance
 Test Items And Result**

Test Classification	Test Item	Test Conditions	Test Duration	Sample Size	AC/RE
Life Test	Room Temperature DC Operating Life Test	Ta=25°C±5°C, I _F =20mA	1000 hrs	22 pcs	0/1
Environment Test	Thermal Shock Test	100°C±5°C 5min ↑ ↓ -40°C±5°C 5min.	100 cycles	22 pcs	0/1
	Temperature Cycle Test	100°C±5°C 30min ↑ ↓5min -40°C±5°C 30min.	100 cycles	22 pcs	0/1
	High Temperature & High Humidity Test	85°C ±5°C/85% RH I _F =5mA	1000 hrs	22 pcs	0/1
	High Temperature Storage	Ta=100°C ±5°C	1000 hrs	22 pcs	0/1
	Low Temperature Storage	Ta=-40°C ±5°C	1000 hrs	22 pcs	0/1
Mechanical Test	Resistance to Soldering Heat	Temp=260°C max T=5sec max	1times	22 pcs	0/1
	Lead Integrity	Load 2.5N(0.25kgf) 0° ~ 90° ~0°	3times	22 pcs	0/1



Soldering:

1. Manual Of Soldering

The temperature of the iron tip should not be higher than 300°C and Soldering within 3 seconds per solder-land is to be observed.

2. DIP soldering (Wave Soldering):

Preheating: 120°C~150°C, within 120~180 sec.

Operation heating: 245°C ± 5°C within 5 sec. 260°C (Max)

Gradual Cooling (Avoid quenching).

