

# Connector

I

## D-SUB Series

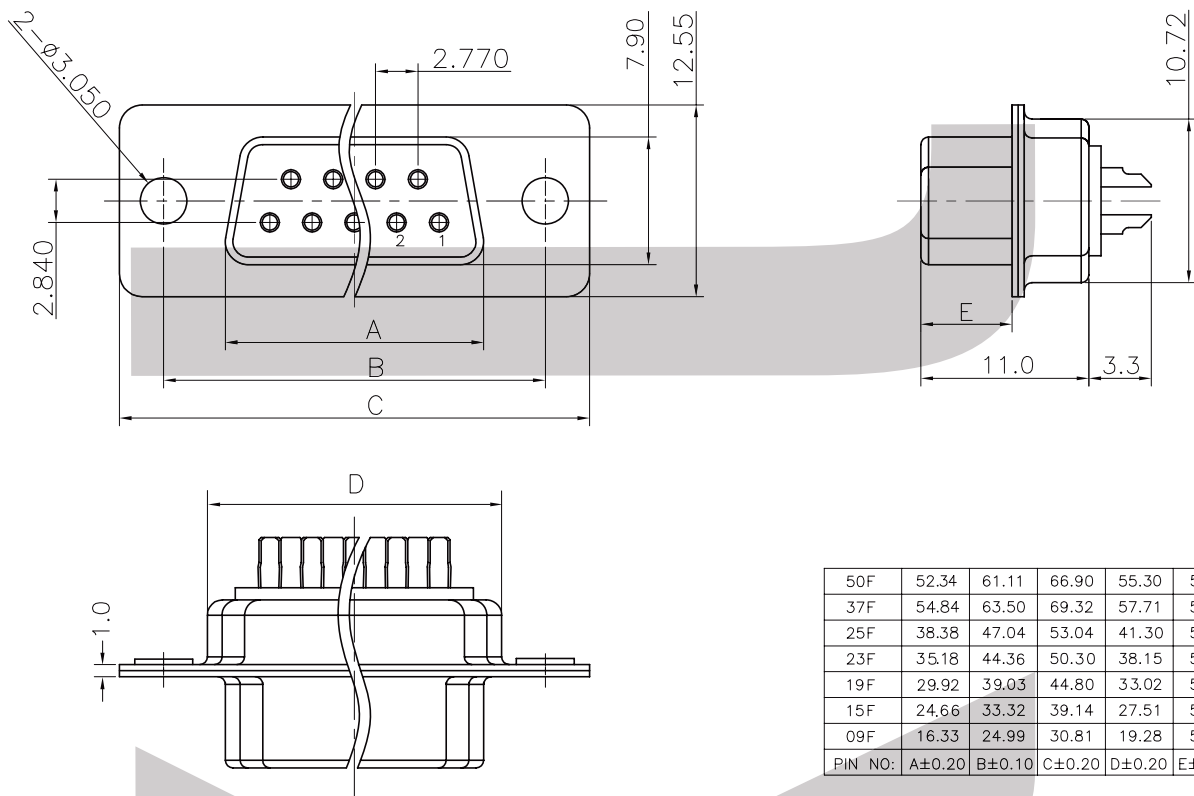
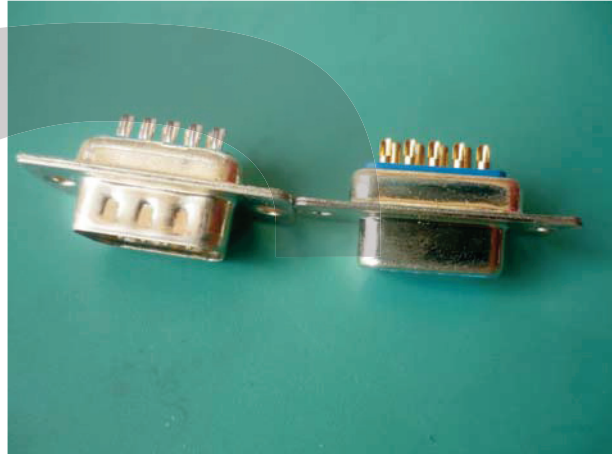
### KLS1-213 D-SUB 2 ROW SOLDER TYPE

**Electrical Specification:**

Current Rating: 2 AMP  
 Insulator Resistance: 5000M ohms min. at DC 500V  
 Contact Resistance: 20m ohms max. at DC 100mA  
 Operating Temperature: -55°C~+105°C

**Material:**

Housing: 30% Glass filled PBT UL94V-0  
 Contacts: Phosphor Bronze  
 Shell: Steel, 100u" Tin Over 50u" min Nickel  
 Clinch Nut: Brass, 100u" min Nickel Plated  
 Screwlock: Brass, 100u" min Nickel Plated



## ORDER INFORMATION

Product NO.: KLS1-213-XX - F -L

Pos. NO. 001=001 pos.  
 Contact Number of Row 213=DB Series  
 Number of Contacts  
 L=Blue B=Black W=White  
 M=Male F=Female