

# TERMINAL BLOCK Connector

## PCB Series

KLS2-125-3.50/3.81 Series Pitch=3.50mm/3.81mm

### Electrical :

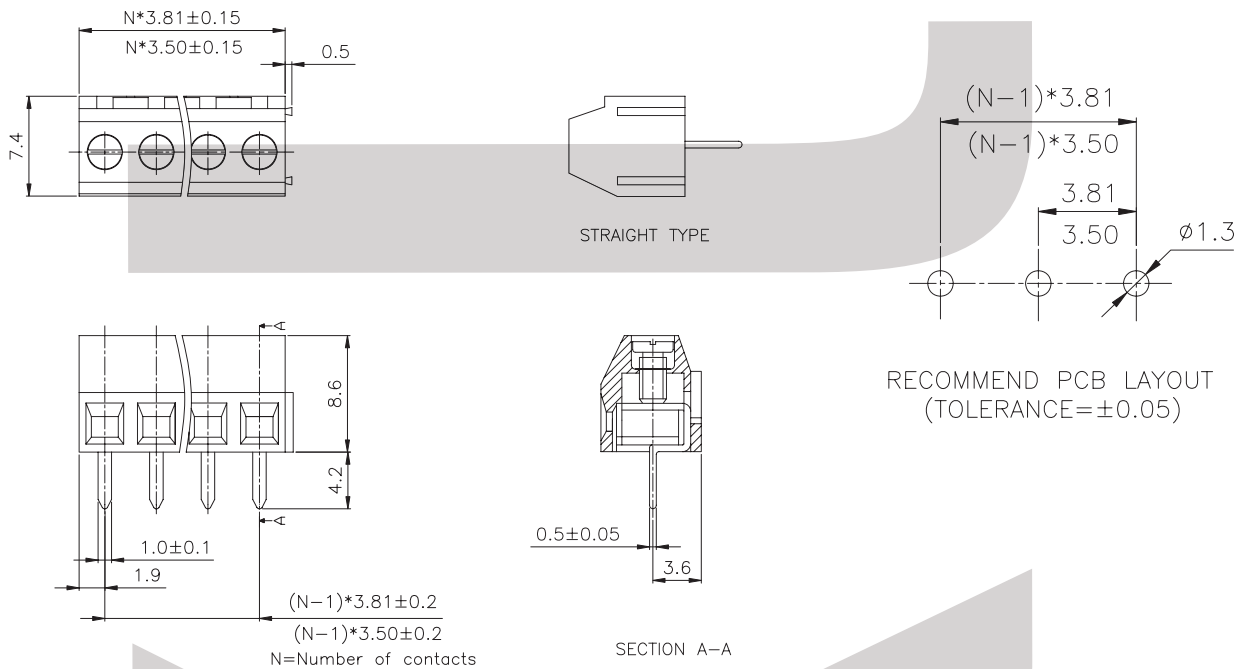
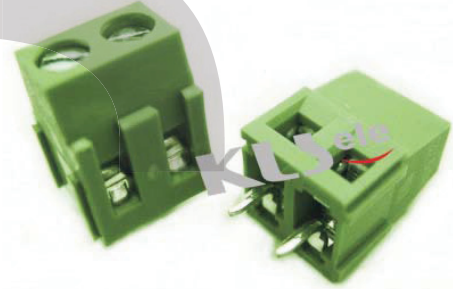
Rated voltage: 300V  
Rated current: 10A  
Contact resistance: 20mΩ  
Insulation resistance: 5000MΩ/1000V  
Withstanding Voltage: AC1500V/1Min  
Wire range: 24-12AWG 1.5mm<sup>2</sup>

### Material

Screws: M2 steel Zinc plated  
Contact: Brass  
Pin header: Brass, Tin plated  
Housing: PA66, UL94V-0

### Mechanical

Temp. Range: -40°C~+105°C  
MAX Soldering: +250°C for 5 Sec.  
Torque: 0.2Nm (1.8lb.in)  
Strip length: 5-6mm



## ORDER INFORMATION

Product NO.: KLS2-125-3.50-XXP X X X

Pos. NO.

Series No.

Pitch: 3.50=3.50mm 3.81=3.81mm

Number of Pole

Customer Request

Screw: C=Cross Screw  
S=Slot Screw

Color: 1=Gray 2=Blue 3=Black  
4=Green 5=Orange 6=Red  
7=Transparent 8=Yellow 9=White