

Connector

D-SUB Series

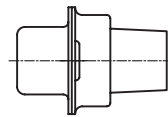
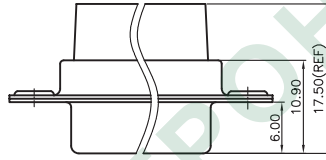
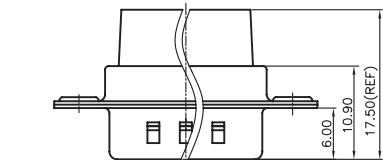
KLS1-176A 2 ROW TYPE

Electrical Specification:

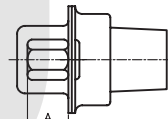
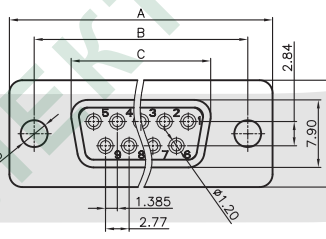
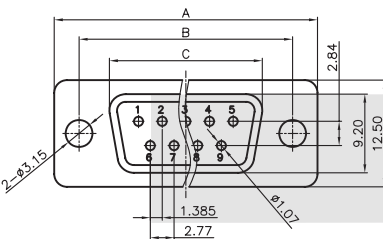
Current Rating: 2 AMP
 Insulator Resistance: 1000M ohms min. at DC 500V
 Contact Resistance: 20m ohms max. at DC 100mA
 Operating Temperature: -20°C~+85°C
 Application wire AWG : 20-24 AWG

Material:

Housing: 30% Glass filled PBT UL94V-0
 Contacts: Phosphor Bronze
 Shell: Steel, 100u" Tin Over 50u" min Nickel
 Clinch Nut: Brass, 100u" min Nickel Plated
 Screwlock: Brass, 100u" min Nickel Plated



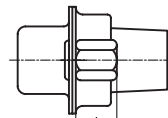
Standard



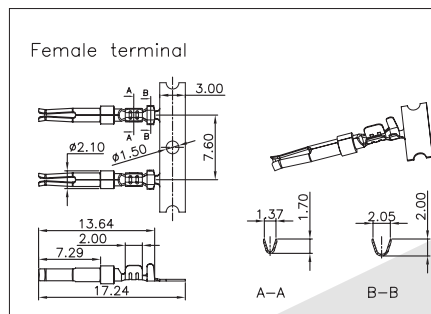
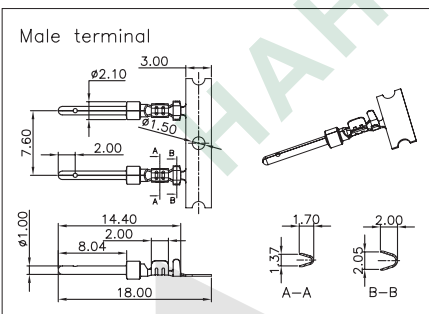
CC TYPE

Male

Female



CS TYPE



Position	C±0.2	
	Male	Female
9P	30.80	17.90
15P	39.14	26.50
25P	53.04	40.00
37P	69.32	56.50

ORDER INFORMATION

Product NO.: KLS1-176A-XX -F -L

Pos. NO. _____ L=Blue B=Black
 001=001 pos. _____
 Contact Number of Row _____
 176A=D-SUB 2 Row Series _____
 Number of Contacts _____ M=Male F=Female