

Connector



D-SUB Series

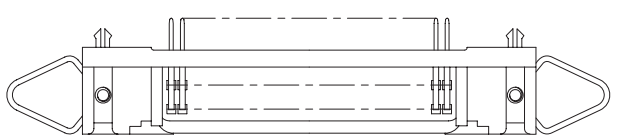
KLS1-182-57A Centronic Connector Series

Material:

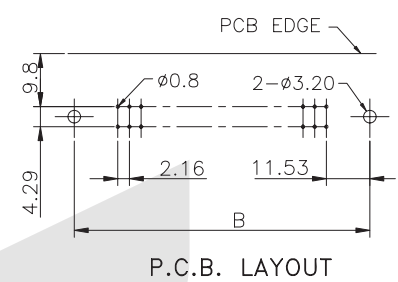
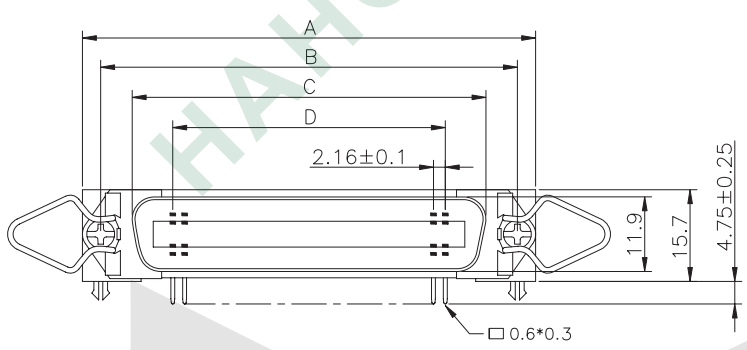
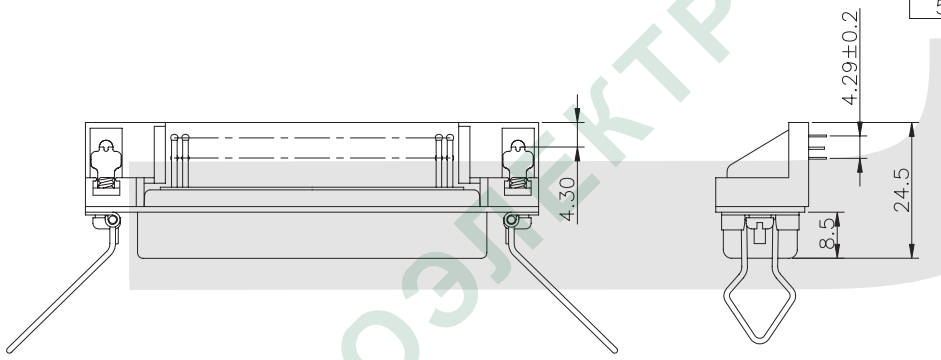
Housing: 30% Glass filled PBT UL94V-0
 Contacts: Brass or Phosphor Bronze
 Shell: Steel, 100u "Tin Over 50u" min Nickel
 Clinch Nut: Brass, 100u "min Nickel Plated
 Screwlock: Brass, 100u "min Nickel Plated

Electrical Characteristics:

Current Rating: 3AMP or 5 AMP
 Insulator Resistance: 1000M ohms min. At DC 500V
 Contact Resistance: 25m ohms max. At DC 100mA
 Operating Temperature: -55°C ~ 105°C



Positions	A	B	C	D
14	43.9	36.0	25.2	12.96
24	54.7	46.8	36.0	23.76
36	67.7	59.7	48.9	36.72
50	82.8	74.9	64.1	51.84



ORDER INFORMATION

Product NO.: KLS1-182-57A-XX - F -L

Pos. NO. _____
 001=001 pos. _____
 Contact Number of Row _____
 182-57A=Centronic connector Series _____
 Number of Contacts _____

L=Blue B=Black
 M=Male F=Female

Connector

I

D-SUB Series

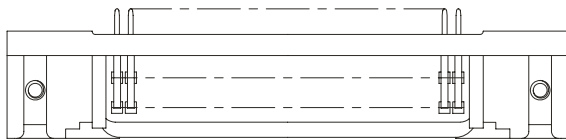
KLS1-182-57A Centronic Connector Series

Material:

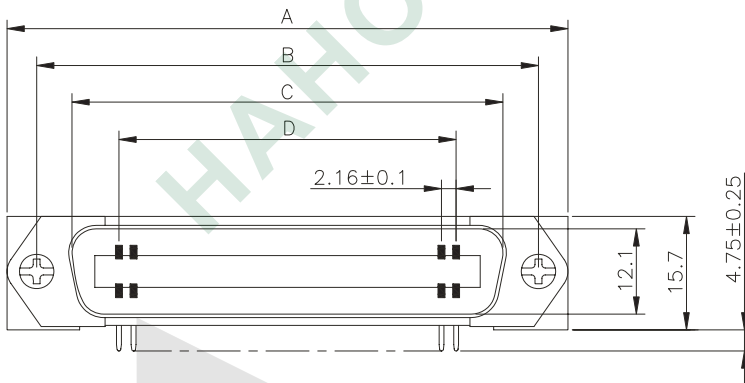
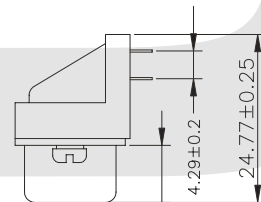
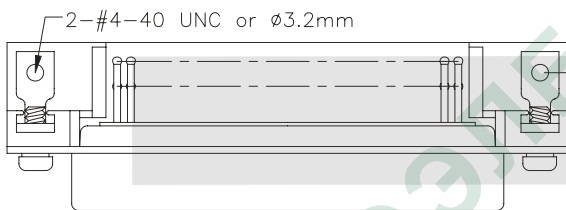
Housing: 30% Glass filled PBT UL94V-0
 Contacts: Brass or Phosphor Bronze
 Shell: Steel, 100u" Tin Over 50u" min Nickel
 Clinch Nut: Brass, 100u" min Nickel Plated
 Screwlock: Brass, 100u" min Nickel Plated

Electrical Characteristics:

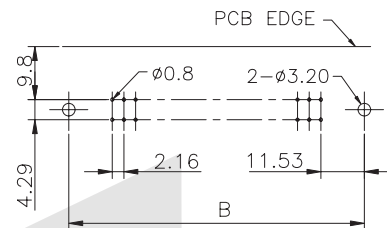
Current Rating: 3AMP or 5 AMP
 Insulator Resistance: 1000M ohms min. At DC 500V
 Contact Resistance: 25m ohms max. At DC 100mA
 Operating Temperature: -55°C ~ 105°C



Positions	A	B	C	D
14	12.96	25.6	36.0	43.9
24	23.76	36.3	46.8	54.7
36	36.72	49.3	59.6	67.7
50	51.84	64.4	74.9	82.8



8.77±0.25



P.C.B. LAYOUT

ORDER INFORMATION

Product NO.: KLS1-182-57A-XX -M -L

Pos. NO. _____
 001=001 pos.
 Contact Number of Row _____
 182-57A=Centronic connector Series
 Number of Contacts _____
 L=Blue B=Black
 M=Male F=Female