

PCB Connector

PCB Connector Series

KLS1-2.50 Pitch=2.50mm TYPE

Electrical Specification:

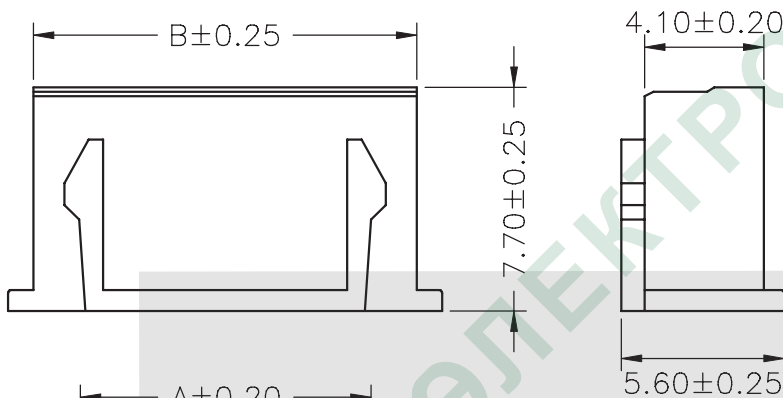
Rated Voltage: 250V AC/DC
 Rated Current: 3A
 Contact Resistance: 0.02 Ohm max
 Insulation Resistance: 1000M Ohm min
 Withstand voltage: 1000V AC/MIN
 Temperature range for usage : -25°C~+85°C
 P.C board thickness : 0.8~1.6mm

Material:

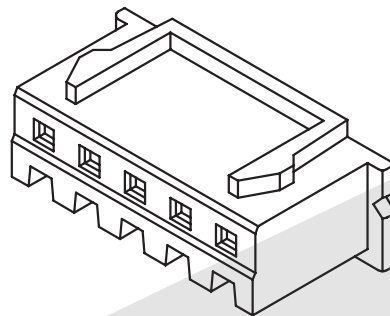
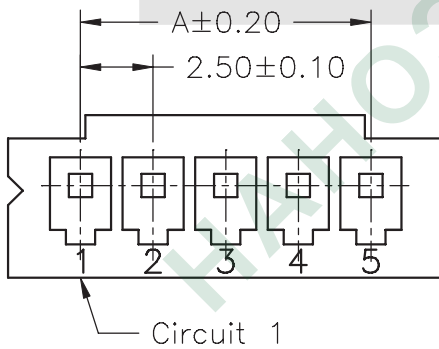
Housing: PA66 (PA66) UL94V-2
 Contacts: Brass or Phosphor Bronze
 Plating: Tin 50u" over 100u" nickel
 Wire range : AWG#30~#22
 Color: White



Housing



PART NO.	Dimensions	
	A	B
02	2.50	5.70
03	5.00	8.20
04	7.50	10.70
05	10.00	13.20
06	12.50	15.70
07	15.00	18.20
08	17.50	20.70
09	20.00	23.20
10	22.50	25.70
11	25.00	28.20
12	27.50	30.70
13	30.00	33.20
14	32.50	35.70
15	35.00	38.20
16	37.50	40.70
17	40.00	43.20
18	42.50	45.70
19	45.00	48.20
20	47.50	50.70



ORDER INFORMATION

Product NO.: KLS1-2.50-XX-H

Pitch: 2.50=2.50mm

Type: H=Housing
 S=Straight Male pin
 R=High Right With Ears Male pin
 T=Terminal
 R1=Right Male pin

PIN Number:2~ 20pin

PCB Connector

PCB Connector Series

KLS1-2.50 Pitch=2.50mm TYPE

Electrical Specification:

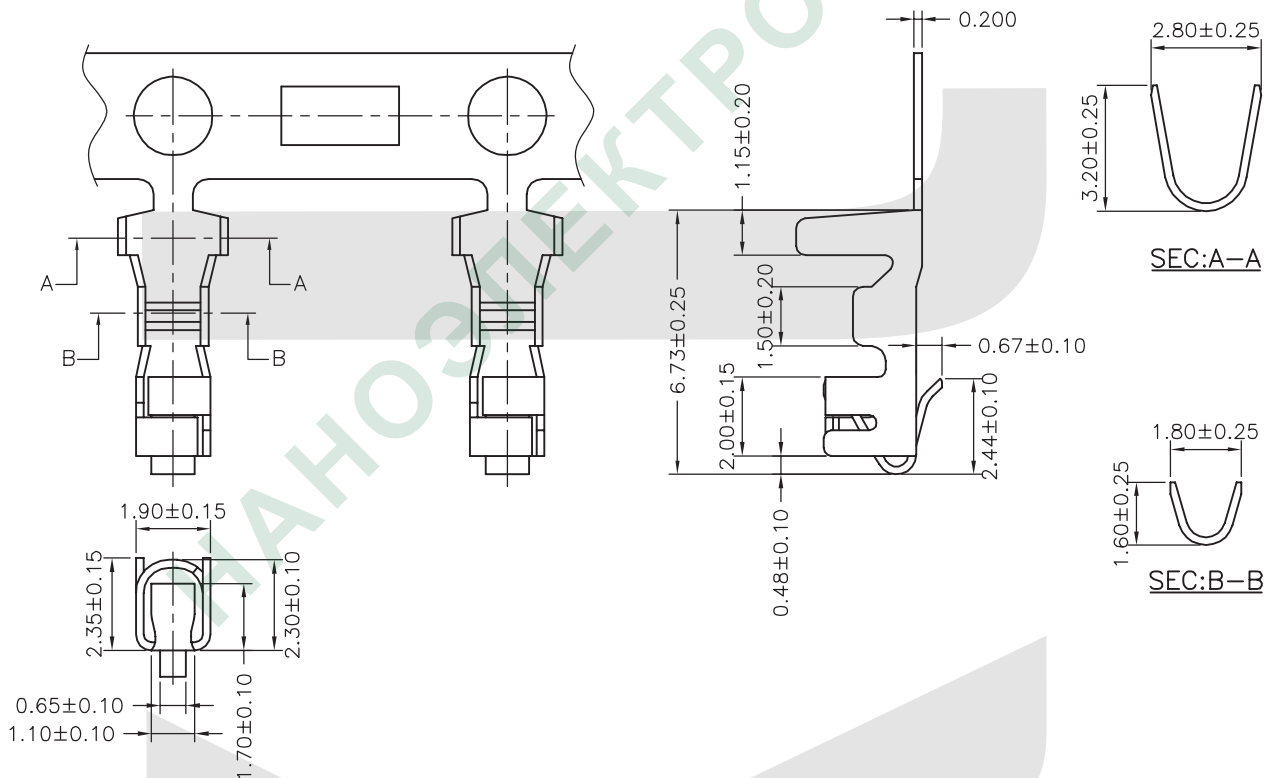
- Rated Voltage: 250V AC/DC
- Rated Current: 3A
- Contact Resistance: 0.02 Ohm max
- Insulation Resistance: 1000M Ohm min
- Withstand voltage: 1000V AC/MIN
- Temperature range for usage : -25°C~+85°C
- P.C board thickness : 0.8~1.6mm

Material:

- Housing: PA66 (PA66) UL94V-2
- Contacts: Brass or Phosphor Bronze
- Plating: Tin 50u" over 100u" nickel
- Wire range : AWG#30~#22
- Color: White



Terminal



ORDER INFORMATION

Product NO.: KLS1-2.50-T

Pitch: 2.50=2.50mm

Type: H=Housing T=Terminal
 S=Straight Male pin R1=Right Male pin
 R=High Right With Ears Male pin

PCB Connector

PCB Connector Series

KLS1-2.50 Pitch=2.50mm TYPE

Electrical Specification:

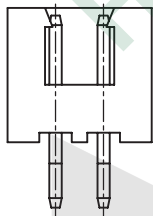
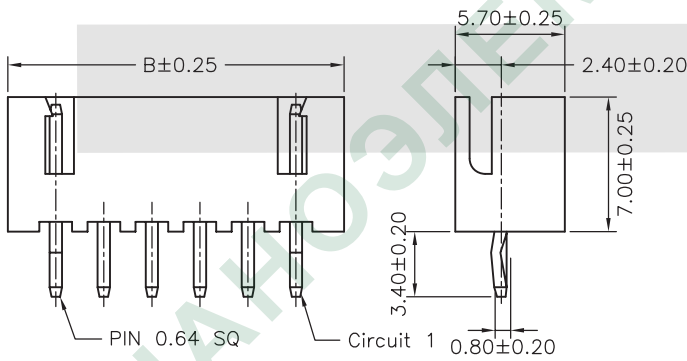
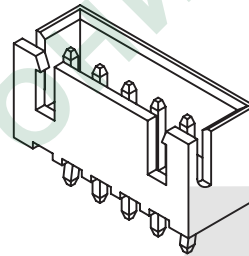
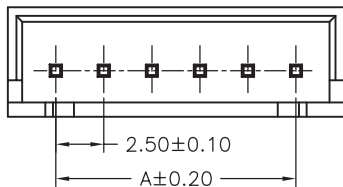
- Rated Voltage: 250V AC.DC
- Rated Current: 3A
- Contact Resistance: 0.02 Ohm max
- Insulation Resistance: 1000M Ohm min
- Withstand voltage: 1000V AC/MIN
- Temperature range for usage : -25°C~+85°C
- P.C board thickness : 0.8~1.6mm

Material:

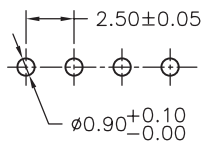
- Housing: PA66 (PA66) UL94V-2
- Contacts: Brass or Phosphor Bronze
- Plating: Tin 50u" over 100u" nickel
- Wire range : AWG#30~#22
- Color: White



Straight Male pin



02P



P.C.B LAYOUT

PART NO.	Dimensions	
	A	B
02	2.50	7.50
03	5.00	10.00
04	7.50	12.50
05	10.00	15.00
06	12.50	17.50
07	15.00	20.00
08	17.50	22.50
09	20.00	25.00
10	22.50	27.50
11	25.00	30.00
12	27.50	32.50
13	30.00	35.00
14	32.50	37.50
15	35.00	40.00
16	37.50	42.50
17	40.00	45.00
18	42.50	47.50
19	45.00	50.00
20	47.50	52.50

ORDER INFORMATION

Product NO.: KLS1-2.50-XX-S

Pitch: 2.50=2.50mm

Type: H=Housing
S=Straight Male pin R1=Right Male pin
R=High Right With Ears Male pin
PIN Number:2~ 20pin

PCB Connector

PCB Connector Series

KLS1-2.50 Pitch=2.50mm TYPE

Electrical Specification:

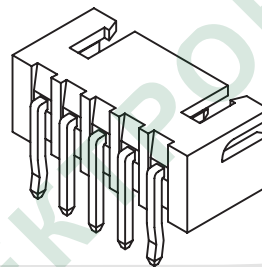
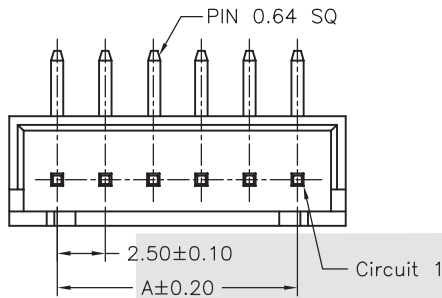
Rated Voltage: 250V AC.DC
 Rated Current: 3A
 Contact Resistance: 0.02 Ohm max
 Insulation Resistance: 1000M Ohm min
 Withstand voltage: 1000V AC/MIN
 Temperature range for usage : -25°C~+85°C
 P.C board thickness : 0.8~1.6mm

Material:

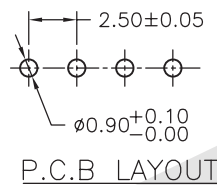
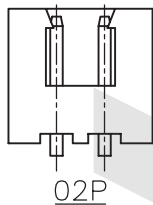
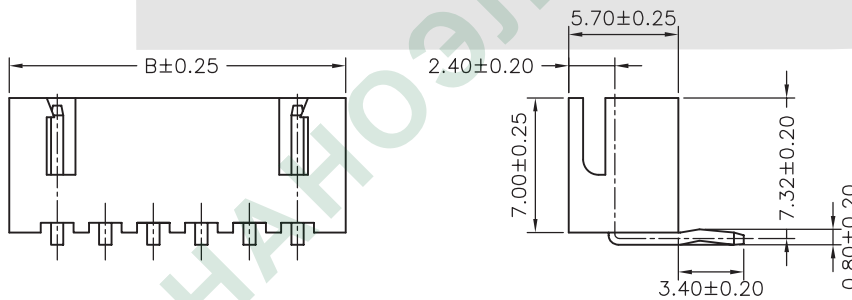
Housing: PA66 (PA66) UL94V-2
 Contacts: Brass or Phosphor Bronze
 Plating: Tin 50u" over 100u" nickel
 Wire range : AWG#30~#22
 Color: White



Right Male pin



PART NO.	Dimensions	
	A	B
02	2.50	7.50
03	5.00	10.00
04	7.50	12.50
05	10.00	15.00
06	12.50	17.50
07	15.00	20.00
08	17.50	22.50
09	20.00	25.00
10	22.50	27.50
11	25.00	30.00
12	27.50	32.50
13	30.00	35.00
14	32.50	37.50
15	35.00	40.00
16	37.50	42.50
17	40.00	45.00
18	42.50	47.50
19	45.00	50.00
20	47.50	52.50



ORDER INFORMATION

Product NO.: KLS1-2.50-XX-R1

Pitch: 2.50=2.50mm

Type: H=Housing
 S=Straight Male pin
 R=High Right With Ears Male pin
 T=Terminal
 R1=Right Male pin

PIN Number: 2~ 20pin

PCB Connector

PCB Connector Series

KLS1-2.50 Pitch=2.50mm TYPE

Electrical Specification:

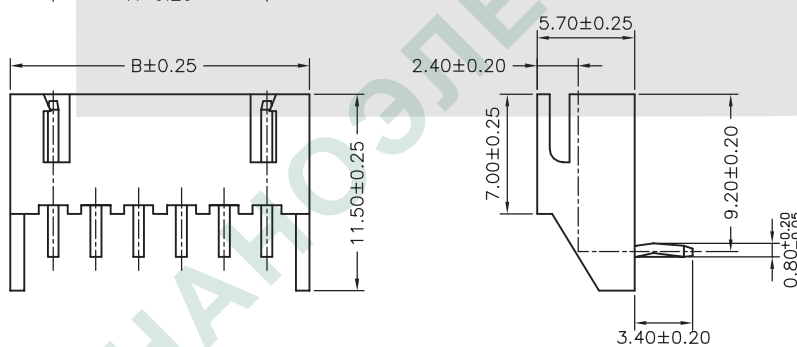
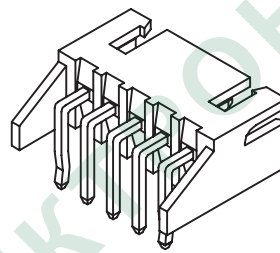
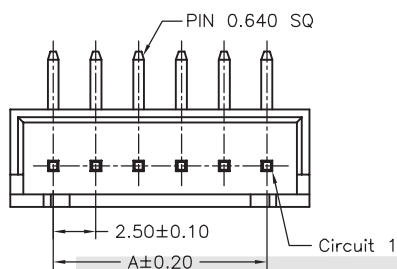
- Rated Voltage: 250V AC.DC
- Rated Current: 3A
- Contact Resistance: 0.02 Ohm max
- Insulation Resistance: 1000M Ohm min
- Withstand voltage: 1000V AC/MIN
- Temperature range for usage : -25°C~+85°C
- P.C board thickness : 0.8~1.6mm

Material:

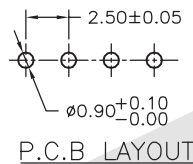
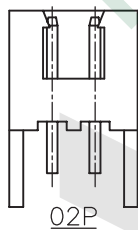
- Housing: PA66 (PA66) UL94V-2
- Contacts: Brass or Phosphor Bronze
- Plating: Tin 50u" over 100u" nickel
- Wire range : AWG#30~#22
- Color: White



High Right Male pin



PART NO.	Dimensions	
	A	B
02	2.50	7.50
03	5.00	10.00
04	7.50	12.50
05	10.00	15.00
06	12.50	17.50
07	15.00	20.00
08	17.50	22.50
09	20.00	25.00
10	22.50	27.50
11	25.00	30.00
12	27.50	32.50
13	30.00	35.00
14	32.50	37.50
15	35.00	40.00
16	37.50	42.50
17	40.00	45.00
18	42.50	47.50
19	45.00	50.00
20	47.50	52.50



ORDER INFORMATION

Product NO.: KLS1-2.50-XX-R

Pitch: 2.50=2.50mm

Type: H=Housing
S=Straight Male pin R1=Right Male pin
R=High Right With Ears Male pin
PIN Number:2~ 20pin

T=Terminal