

PCB Connector

PCB Connector Series

KLS1-396 Pitch=3.96mm TYPE

Electrical Specification:

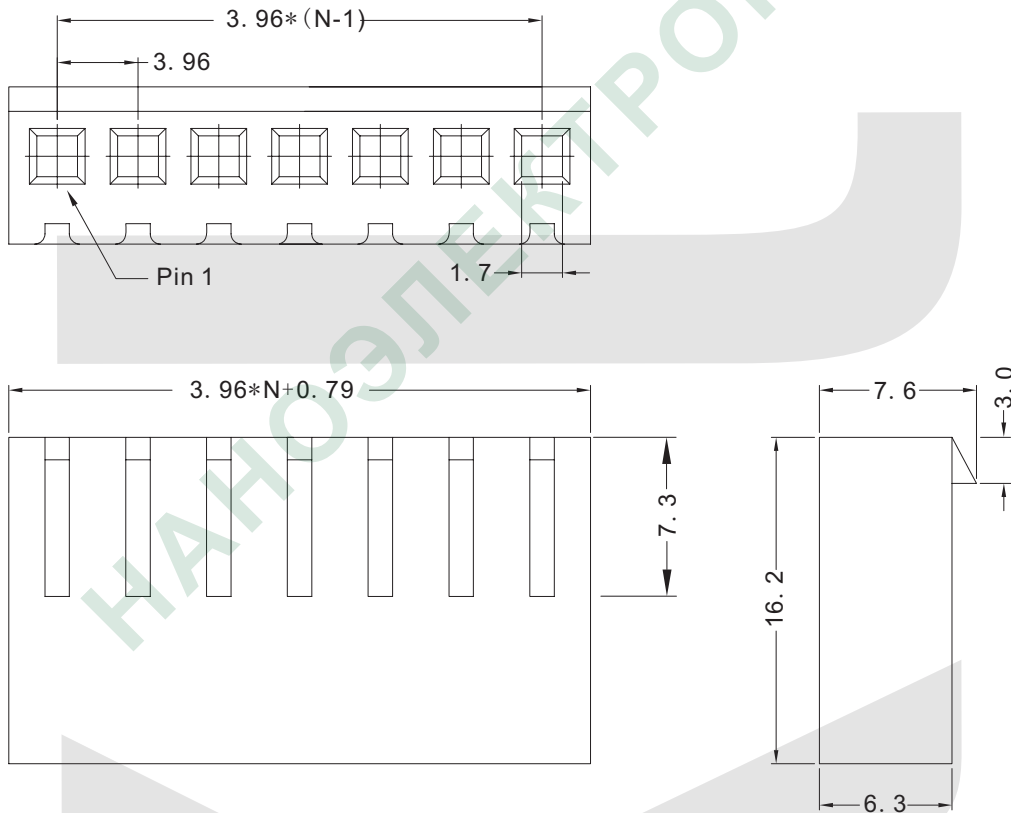
Rated Voltage: 50/250V AC/DC
 Rated Current: 5A
 Contact Resistance: 0.02 Ohm max
 Insulation Resistance: 1000M Ohm min
 Withstand voltage: 1500V AC/MIN
 Temperature range for usage : -25°C~+85°C
 P.C board thickness : 1.6mm

Material:

Housing: PA66 (PA66) UL94V-2
 Contacts: Brass or Phosphor Bronze
 Plating: Tin 50u" over 100u" nickel
 Wire range : AWG#24#18



Housing



ORDER INFORMATION

Product NO.: KLS1-3.96-XX-H

Pitch: 3.96=3.96mm

Type: H=Housing
S=Straight Male pin

T=Terminal
R=Right Male pin

PIN Number: 02 ~ 16Pin

PCB Connector

PCB Connector Series

KLS1-396 Pitch=3.96mm TYPE

Electrical Specification:

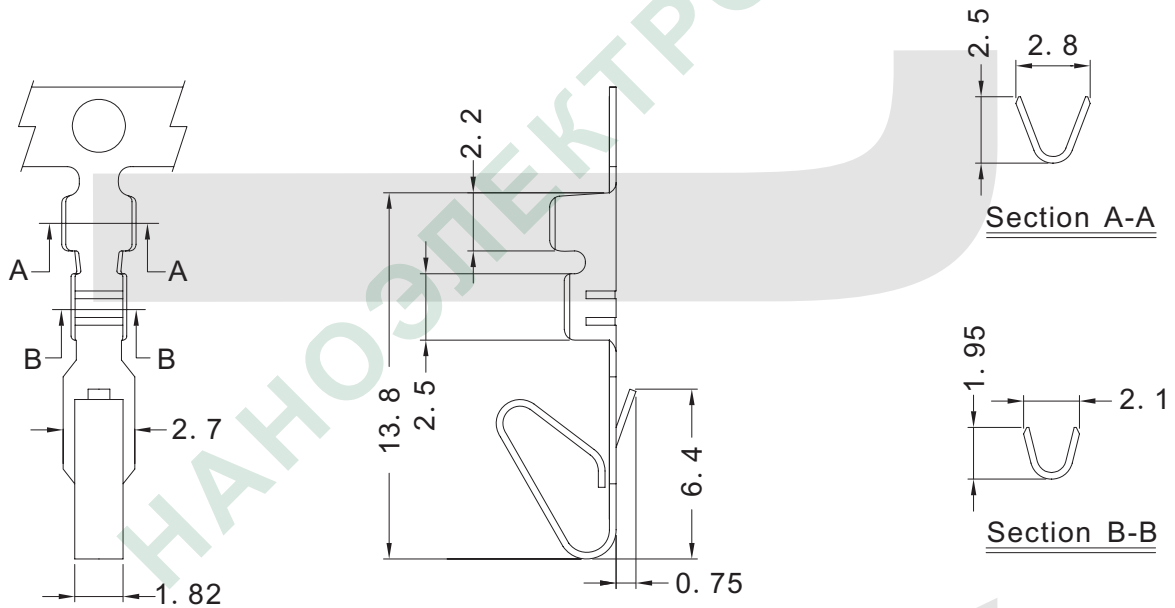
Rated Voltage: 50/250V AC.DC
 Rated Current: 5A
 Contact Resistance: 0.02 Ohm max
 Insulation Resistance: 1000M Ohm min
 Withstand voltage: 1500V AC/MIN
 Temperature range for usage : -25°C~+85°C
 P.C board thickness : 1.6mm

Material:

Housing: PA66 (PA66) UL94V-2
 Contacts: Brass or Phosphor Bronze
 Plating: Tin 50u" over 100u" nickel
 Wire range : AWG#24#18



Terminal



ORDER INFORMATION

Product NO.: KLS1-3.96-T

Pitch: 3.96=3.96mm

Type: H=Housing T=Terminal
 S=Straight Male pin R=Right Male pin

PCB Connector

KLSelectronic
 www.cnkls.com

PCB Connector Series

KLS1-396 Pitch=3.96mm TYPE

Electrical Specification:

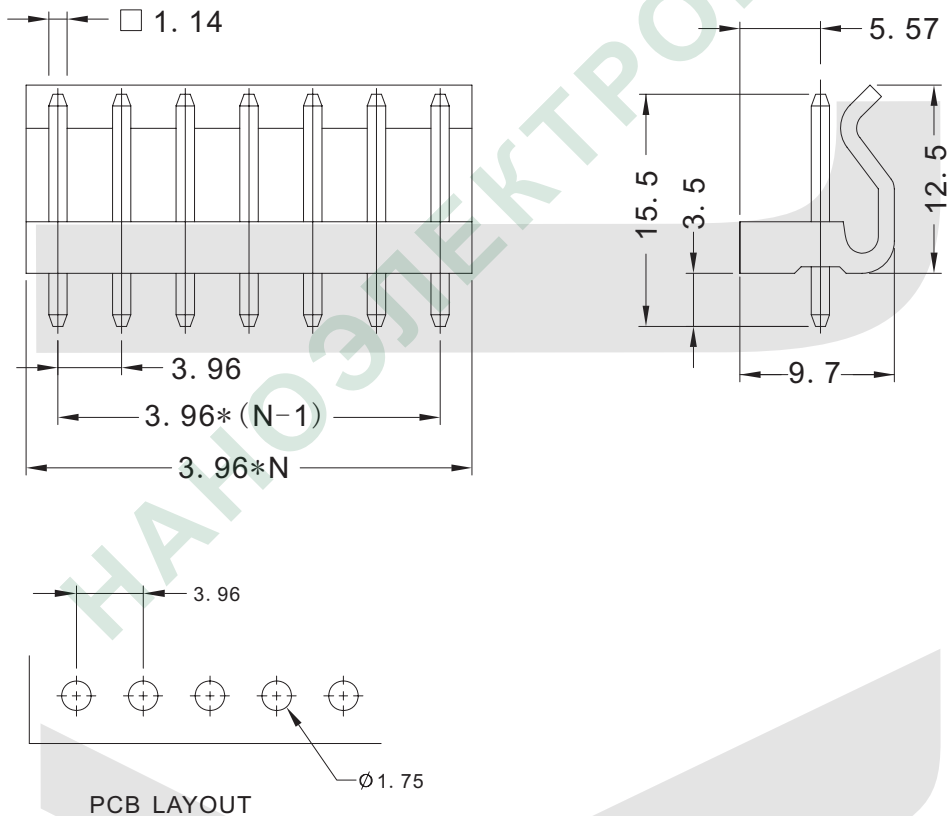
Rated Voltage: 50/250V AC.DC
 Rated Current: 5A
 Contact Resistance: 0.02 Ohm max
 Insulation Resistance: 1000M Ohm min
 Withstand voltage: 1500V AC/MIN
 Temperature range for usage : -25°C~+85°C
 P.C board thickness : 1.6mm

Material:

Housing: PA66 (PA66) UL94V-2
 Contacts: Brass or Phosphor Bronze
 Plating: Tin 50u" over 100u" nickel
 Wire range : AWG#24#18



Straight



ORDER INFORMATION

ProductNO.:KLS1-396-XX-S

Pitch: 3.96=3.96mm

Type: H=Housing T=Terminal
 S=Straight Male pin R=Right Male pin

PIN Number: 02 ~ 16Pin

PCB Connector

KLSelectronic
 www.cnkls.com

PCB Connector Series

KLS1-396 Pitch=3.96mm TYPE

Electrical Specification:

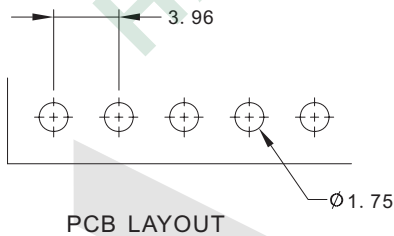
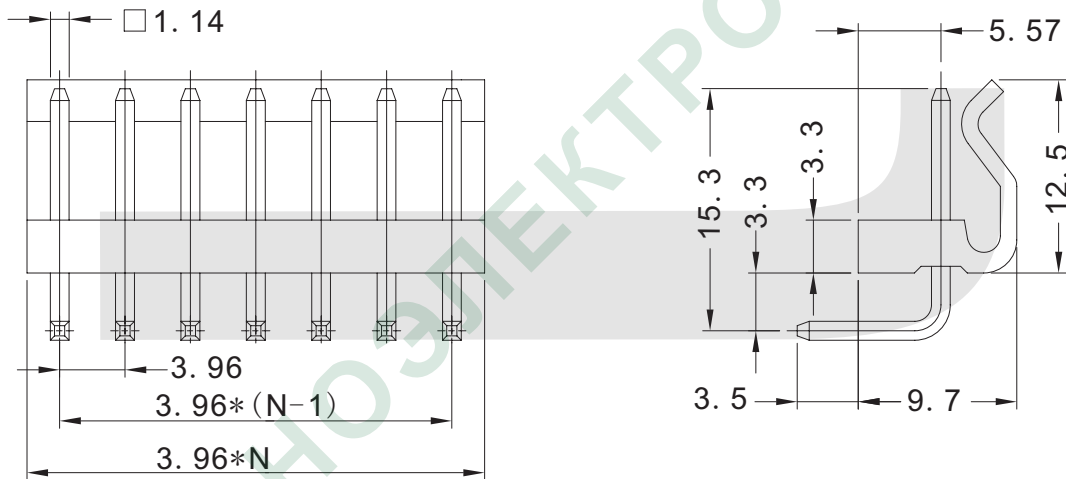
- Rated Voltage: 50/250V AC.DC
- Rated Current: 5A
- Contact Resistance: 0.02 Ohm max
- Insulation Resistance: 1000M Ohm min
- Withstand voltage: 1500V AC/MIN
- Temperature range for usage : -25°C~+85°C
- P.C board thickness : 1.6mm

Material:

- Housing: PA66 (PA66) UL94V-2
- Contacts: Brass or Phosphor Bronze
- Plating: Tin 50u" over 100u" nickel
- Wire range : AWG#24#18



Right angle



ORDER INFORMATION

ProductNO.:KLS1-396-XX-R

Pitch: 3.96=3.96mm

Type: H=Housing T=Terminal
 S=Straight Male pin R=Right Male pin

PIN Number: 02 ~ 16Pin