

PCB Connector

PCB Connector Series

KLS1-5.08 Pitch=5.08mm TYPE

Electrical Specification:

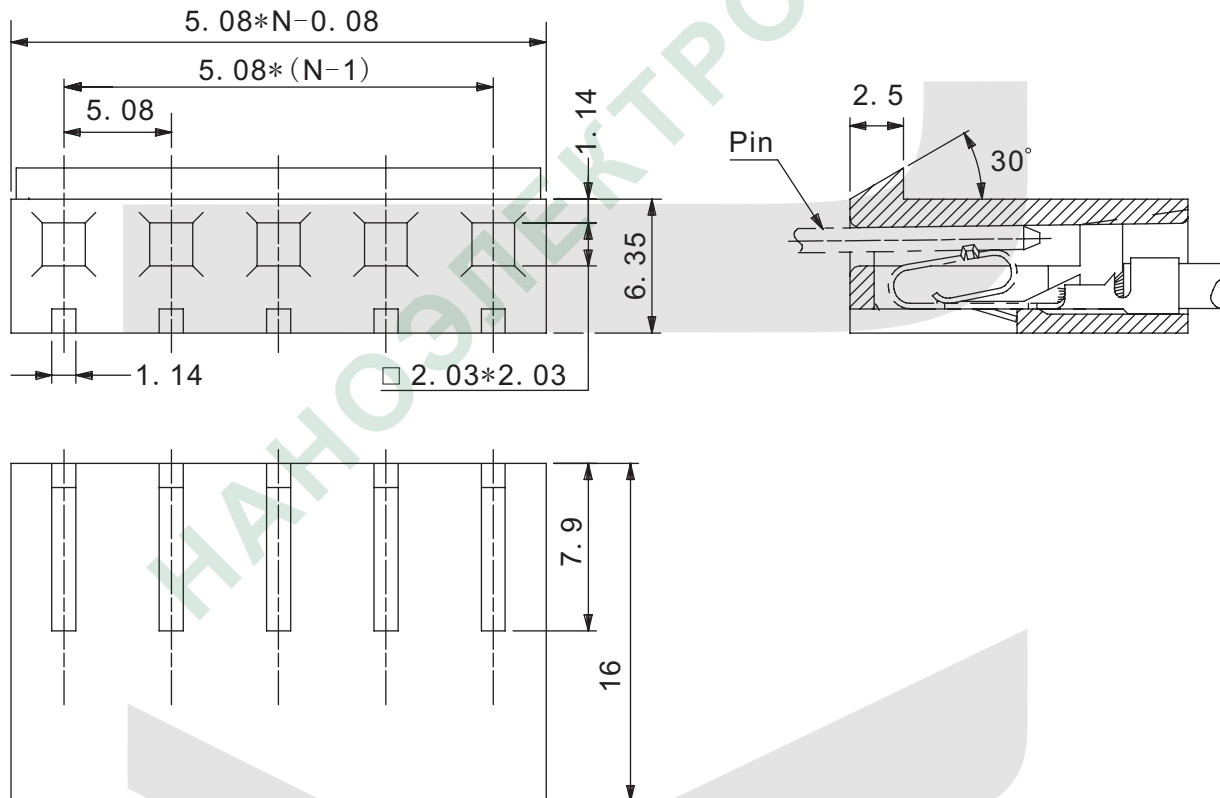
- Rated Voltage: 250V AC/DC
- Rated Current: 5A
- Contact Resistance: 0.02 Ohm max
- Insulation Resistance: 1000M Ohm min
- Withstand voltage: 1500V AC/MIN
- Temperature range for usage : -25°C~+85°C
- P.C board thickness : 1.6mm

Material:

- Housing: PA66 (PA66) UL94V-2
- Contacts: Brass or Phosphor Bronze
- Plating: Tin 50u" over 100u" nickel
- Wire range : AWG#24~#18



Housing



ORDER INFORMATION

Product NO.: KLS1-5.08-XX-H

Pitch: 5.08=5.08mm

Type: H=Housing
S=Straight Male pin

T=Terminal
R=Right Male pin

PIN Number: 02 ~ 14Pin

PCB Connector

KLS electronic
 www.cnkls.com

PCB Connector Series

KLS1-5.08 Pitch=5.08mm TYPE

Electrical Specification:

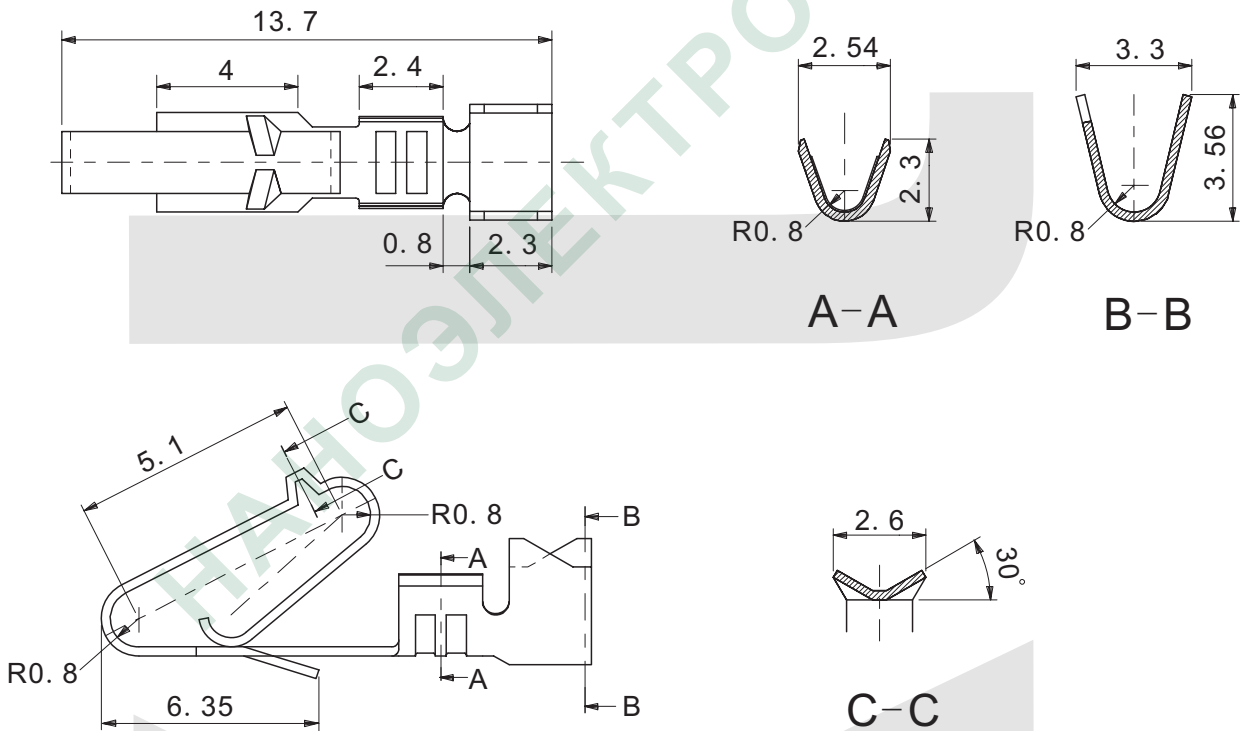
- Rated Voltage: 250V AC.DC
- Rated Current: 5A
- Contact Resistance: 0.02 Ohm max
- Insulation Resistance: 1000M Ohm min
- Withstand voltage: 1500V AC/MIN
- Temperature range for usage : -25°C~+85°C
- P.C board thickness : 1.6mm

Material:

- Housing: PA66 (PA66) UL94V-2
- Contacts: Brass or Phosphor Bronze
- Plating: Tin 50u" over 100u" nickel
- Wire range : AWG#24~#18



Terminal



ORDER INFORMATION

Product NO.: KLS1-5.08-T

Pitch: 5.08=5.08mm

Type: H=Housing T=Terminal
 S=Straight Male pin R=Right Male pin

PCB Connector

PCB Connector Series

KLS1-5.08 Pitch=5.08mm TYPE

Electrical Specification:

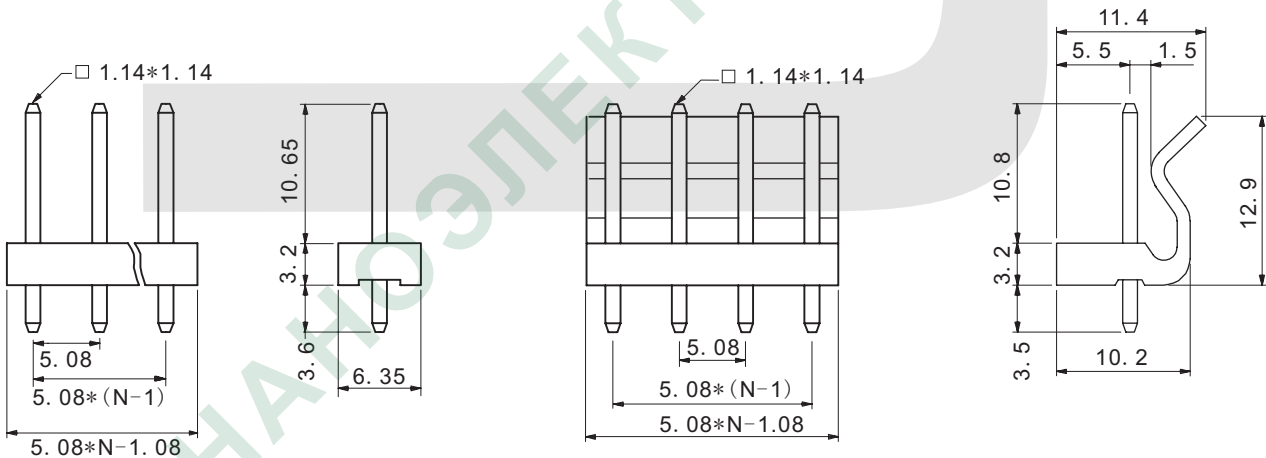
- Rated Voltage: 250V AC/DC
- Rated Current: 5A
- Contact Resistance: 0.02 Ohm max
- Insulation Resistance: 1000M Ohm min
- Withstand voltage: 1500V AC/MIN
- Temperature range for usage : -25°C~+85°C
- P.C board thickness : 1.6mm

Material:

- Housing: PA66 (PA66) UL94V-2
- Contacts: Brass or Phosphor Bronze
- Plating: Tin 50u" over 100u" nickel
- Wire range : AWG#24~#18



Straight



SA Type

S Type

ORDER INFORMATION

Product NO.: KLS1-5.08-XX- S

Pitch: 5.08=5.08mm

Type: H=Housing
S=Straight Male pin

T=Terminal
R=Right Male pin

PIN Number: 02 ~ 14Pin

PCB Connector

KLSelectronic
www.cnkls.com

PCB Connector Series

KLS1-5.08 Pitch=5.08mm TYPE

Electrical Specification:

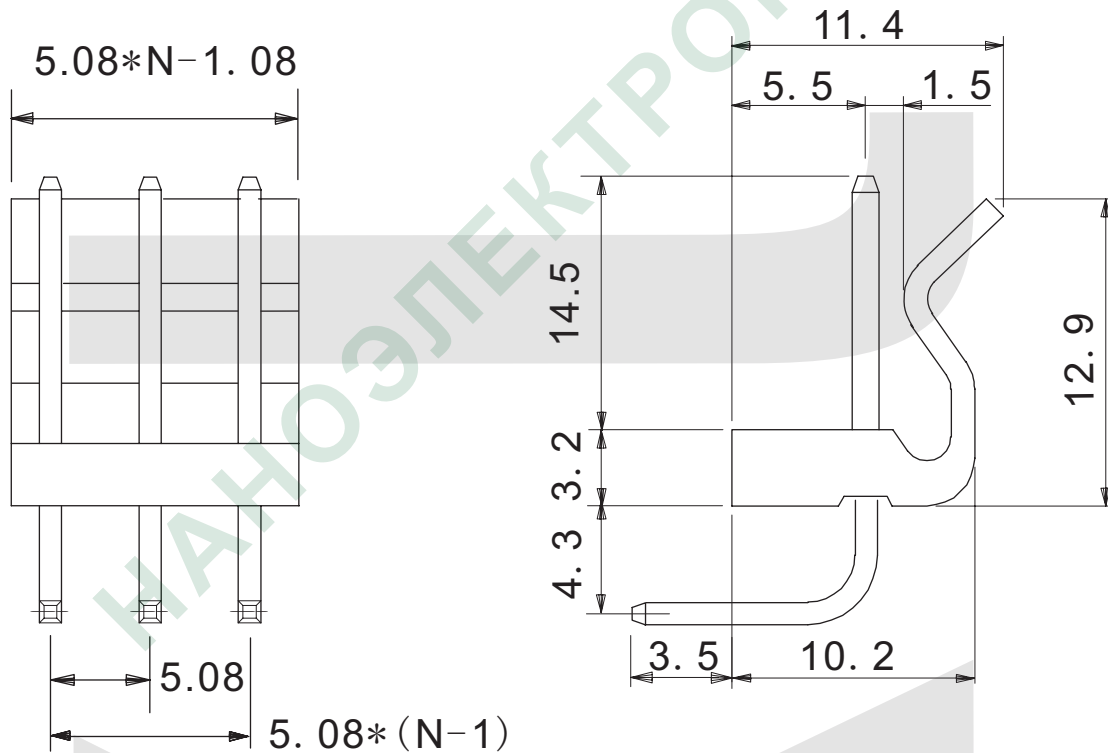
- Rated Voltage: 250V AC/DC
- Rated Current: 5A
- Contact Resistance: 0.02 Ohm max
- Insulation Resistance: 1000M Ohm min
- Withstand voltage: 1500V AC/MIN
- Temperature range for usage : -25°C~+85°C
- P.C board thickness : 1.6mm

Material:

- Housing: PA66 (PA66) UL94V-2
- Contacts: Brass or Phosphor Bronze
- Plating: Tin 50u" over 100u" nickel
- Wire range : AWG#24~#18



Right Male



ORDER INFORMATION

Product NO.: KLS1-5.08-XX-R

Pitch: 5.08=5.08mm

Type: H=Housing
S=Straight Male pin

T=Terminal
R=Right Male pin

PIN Number: 02 ~ 14Pin