

TERMINAL BLOCK Connector

KLSelectronic
www.cnkls.com

PCB Series

KLS2-125-3.50/3.81 Series Pitch=3.50mm/3.81mm

Electrical :

Rated voltage: 300V
Rated current: 10A
Contact resistance: 20mΩ
Insulation resistance: 5000MΩ/1000V
Withstanding Voltage: AC1500V/1Min
Wire range: 24-12AWG 1.5mm²

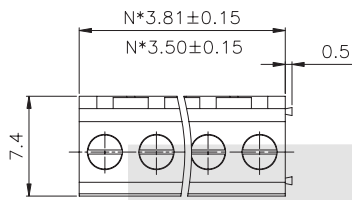
Material

Screws: M2 steel Zinc plated
Contact: Brass
Pin header: Brass, Tin plated
Housing: PA66, UL94V-0

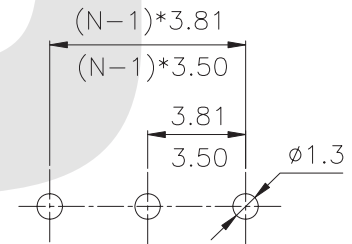
Mechanical

Temp. Range: -40°C~+105°C
MAX Soldering: +250°C for 5 Sec.
Torque: 0.2Nm (1.8lb.in)
Strip length: 5-6mm

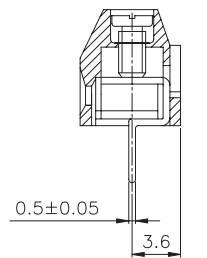
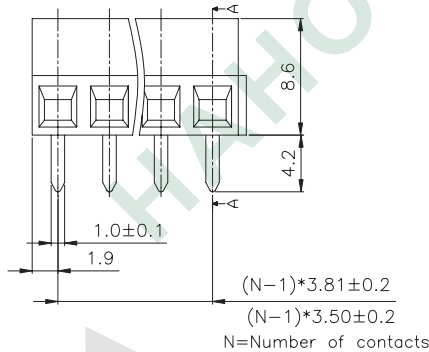
II



STRAIGHT TYPE



RECOMMEND PCB LAYOUT
(TOLERANCE=±0.05)



SECTION A-A

ORDER INFORMATION

Product NO.: KLS2-125-3.50-XXP X X X

Pos. NO.

Series No.

Pitch: 3.50=3.50mm 3.81=3.81mm

Number of Pole

Customer Request

Screw: C=Cross Screw
S=Slot Screw

Color: 1=Gray 2=Blue 3=Black
4=Green 5=Orange 6=Red
7=Transparent 8=Yellow 9=White