

# TERMINAL BLOCK Connector

**KLS**electronic  
www.cnkls.com

## PCB Series

KLS2-125A-3.50/3.81 Series Pitch=3.50mm/3.81mm

### Electrical :

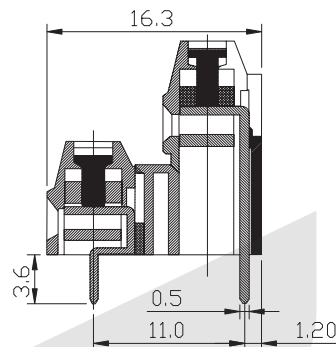
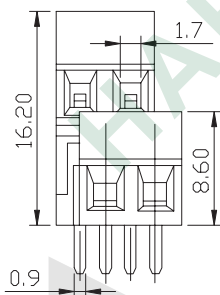
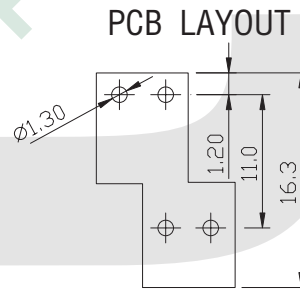
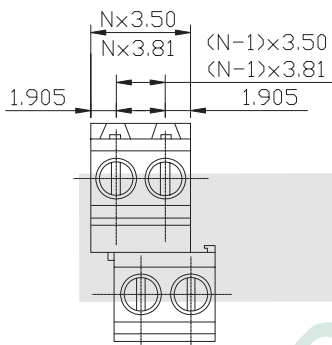
Rated voltage: 150V  
Rated current: 10A  
Contact resistance: 20mΩ  
Insulation resistance: 5000MΩ/1000V  
Withstanding Voltage: AC2000V/1Min  
Wire range: 26-16AWG 1.5mm<sup>2</sup>

### Material

Screws: M2 steel Zinc plated  
Contact: Brass, Ni plated  
Pin header: Brass, Tin plated  
Housing: PA66, UL94V-0

### Mechanical

Temp. Range: -40°C~+105°C  
MAX Soldering: +250°C for 5 Sec.  
Torque: 0.2Nm (1.7 lb.in)  
Strip length: 5-6mm



## ORDER INFORMATION

Product NO.: KLS2-125A-3.81-XXP X X X

|                    |       |                      |          |         |
|--------------------|-------|----------------------|----------|---------|
| Pos. NO.           | _____ | Customer Request     |          |         |
| Series No.         | _____ | Screw: C=Cross Screw |          |         |
| Pitch: 3.50=3.50mm | _____ | S=Slot Screw         |          |         |
| 3.81=3.81mm        | _____ | Color: 1=Gray        | 2=Blue   | 3=Black |
| Number of Pole     | _____ | 4=Green              | 5=Orange | 6=Red   |
|                    |       | 7=Transparent        | 8=Yellow | 9=White |

All specification & dimensions are subject to change, please call your nearest KLS sales representative for update information