

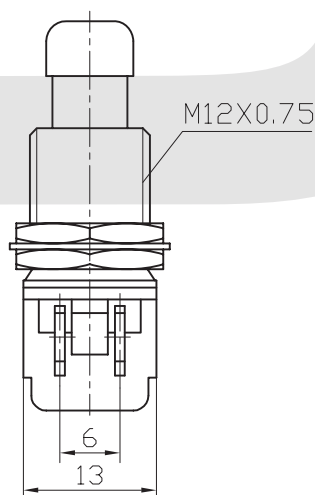
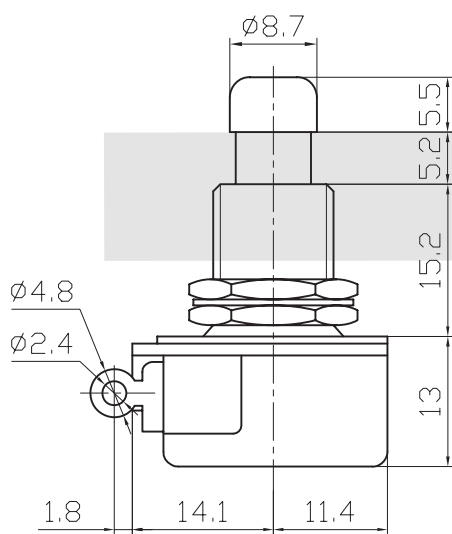
Switch

Push Button Switch Series

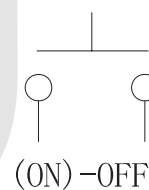
KLS7-PBS-016 Push Button Switch Series

ELECTRICAL

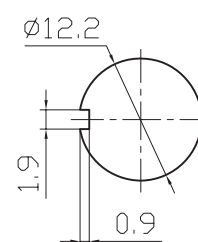
Rating: 4A 125V AC ,2A 250V AC
 Contact resistance: 20mΩ Max
 Insulation resistance: 100MΩ/500VDC Min
 Withstanding Voltage: AC1000V/1Min
 Operating Temperature: -25°C~+85°C
 Electrical life: 50000 Cycles



Circuitry



Mounting



ORDER INFORMATION

KLS7-PBS-016 X

Part Number

PBS-016: Push Button Switch Series

Function: B=ON-OFF
 C=ON-(OFF)
 D=OFF-(ON)

Switch

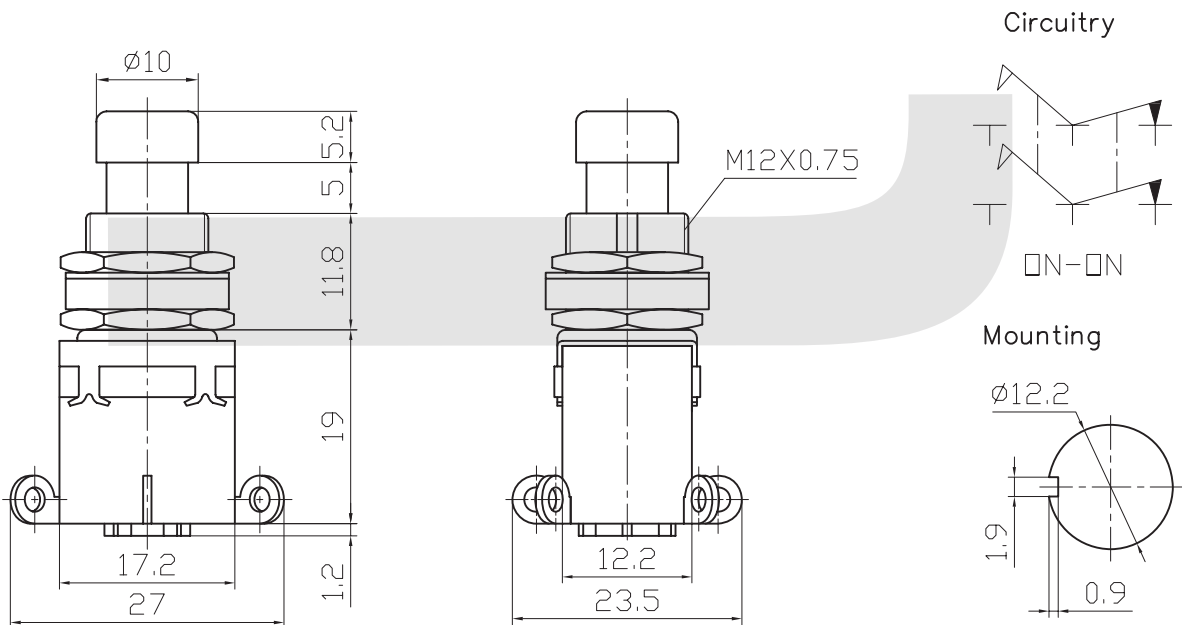
Push Button Switch Series

KLS7-PBS-017 Push Button Switch Series

ELECTRICAL

Rating: 4A 125V AC ,2A 250V AC
 Contact resistance: 20mΩ Max
 Insulation resistance: 100MΩ/500VDC Min
 Withstanding Voltage: AC1000V/1Min
 Operating Temperature: -25°C~+85°C
 Electrical life: 50000 Cycles

VII



ORDER INFORMATION

KLS7-PBS-017 X 1 X

Part Number	_____	_____	_____	Sleeve length L = 14.2; 11.8; 9.8
PBS-017: Push Button Switch Series	_____	_____	_____	1=Single pole 2=Double pole
				Function: B=ON-OFF C=ON-(OFF) D=OFF-(ON)

Switch

Push Button Switches Series

KLS7-PBS-M12-01

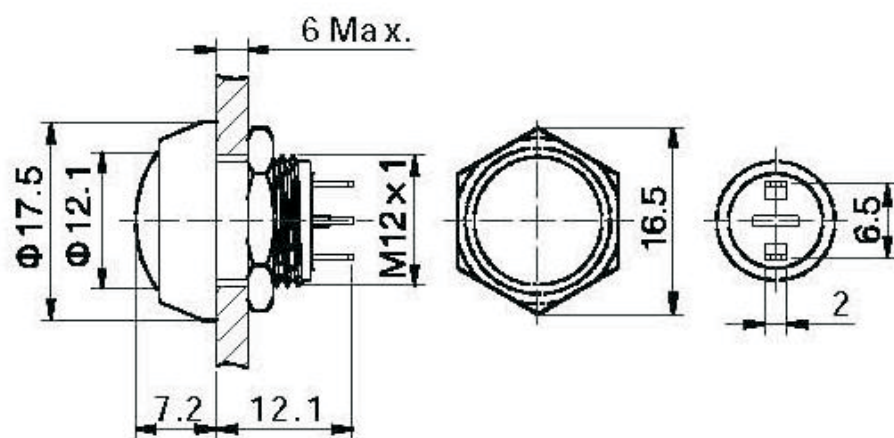
SPECIFICATIONS

Rating: 2A 36V DC
Mounting Hole: $\varnothing 12$ mm
Insulation resistance: 1,000M Ω Mim
Contact resistance: 50M Ω max.
Dielectric Strength: AC 2,000V 1 Minute
Operating Temperature: -20oC ~ +55oC
Mechanical Life: 1,000,000 times
Electrical Life: 20,000 cycles

FUNCTION:

- * 1No 1Nc
- * Non Lock Type

Approvals : RoHS,IP65



ORDER INFORMATION

Switch

Push Button Switches Series

KLS7-PBS-M16-01

SPECIFICATIONS

Rating: 2A 36V DC
Mounting Hole: \varnothing 16 mm
Insulation resistance: 1,000M Ω Mim
Contact resistance: 50M Ω max.
Dielectric Strength: AC 2,000V 1 Minute
Operating Temperature: -20 C ~ +55°C
Mechanical Life: 1,000,000 times
Electrical Life: 20,000 cycles

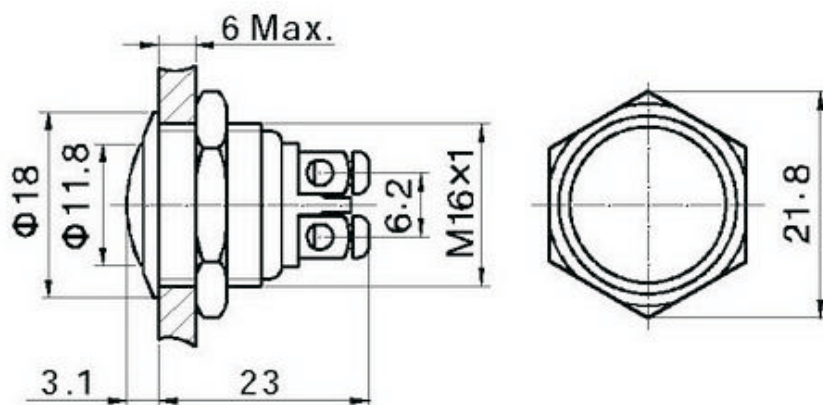
FUNCTION:

- * 1No 1Nc
- * Non Lock Type

Approvals : RoHS,IP65



VII



ORDER INFORMATION

Switch

Push Button Switches Series

KLS7-PBS-M16-02

SPECIFICATIONS

Rating: 2A 36V DC
Mounting Hole: $\varnothing 16$ mm
Insulation resistance: 1,000M Ω Mim
Contact resistance: 50M Ω max.
Dielectric Strength: AC 2,000V 1 Minute
Operating Temperature: -20 C ~ +55°C
Mechanical Life: 1,000,000 times
Electrical Life: 20,000 cycles

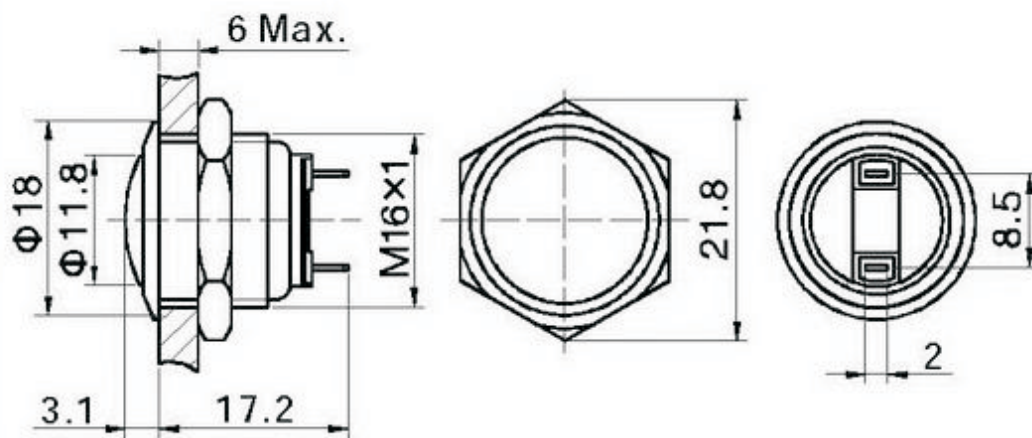
FUNCTION:

- * 1No 1Nc
- * Non Lock Type

Approvals : RoHS,IP65



VII



ORDER INFORMATION

Switch

Push Button Switches Series

KLS7-PBS-M16-03

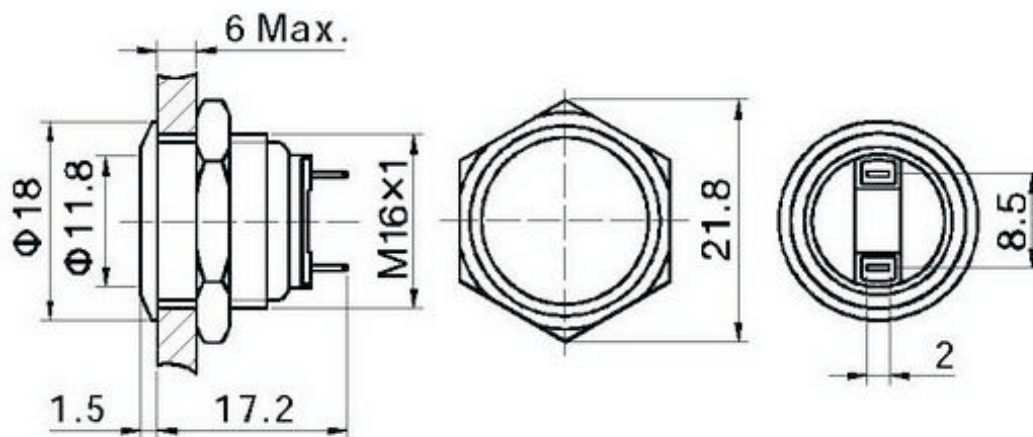
SPECIFICATIONS

Rating: 2A 36V DC
Mounting Hole: $\varnothing 16$ mm
Insulation resistance: 1,000M Ω Mim
Contact resistance: 50M Ω max.
Dielectric Strength: AC 2,000V 1 Minute
Operating Temperature: -20 C ~ +55°C
Mechanical Life: 1,000,000 times
Electrical Life: 20,000 cycles

FUNCTION:

- * 1No 1Nc
- * Non Lock Type

Approvals : RoHS,IP65



ORDER INFORMATION