

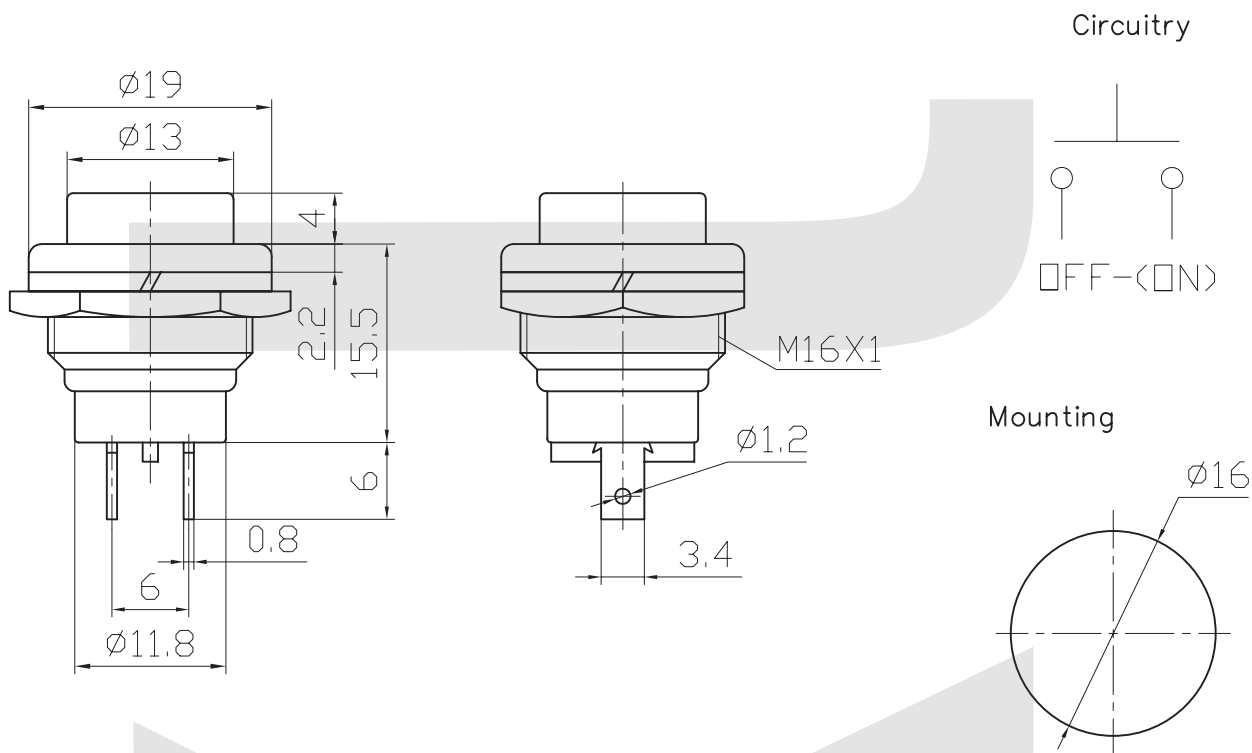
Switch

Push Button Switch Series

KLS7-PBS-001 Push Button Switch Series

ELECTRICAL

Rating: 4A 125V AC ,2A 250V AC
 Contact resistance: 20mΩ Max
 Insulation resistance: 100MΩ/500VDC Min
 Withstanding Voltage: AC1000V/1Min
 Operating Temperature: -25°C~+85°C
 Electrical life: 50000 Cycles



ORDER INFORMATION

KLS7-PBS-001 X

Part Number

PBS-001: Push Button Switch Series

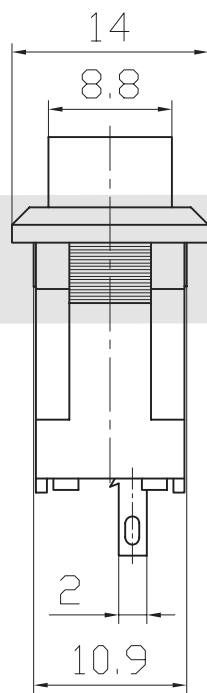
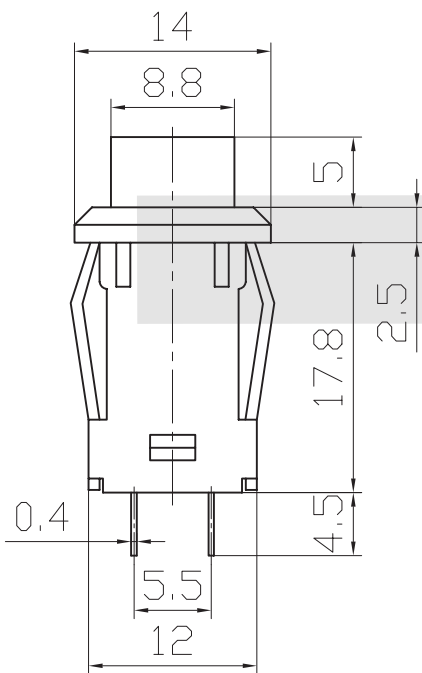
Function: C=ON-(OFF)
 D=OFF-(ON)

Push Button Switch Series

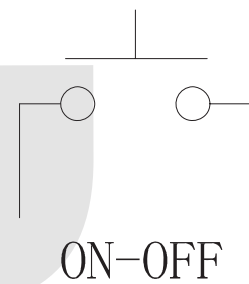
KLS7-PBS-002 Push Button Switch Series

ELECTRICAL

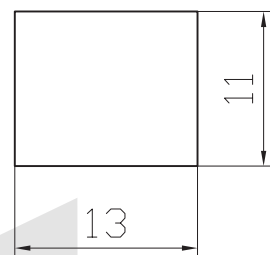
Rating: 3A 125V AC ,1A 250V AC
 Contact resistance: 20mΩ Max
 Insulation resistance: 100MΩ/500VDC Min
 Withstanding Voltage: AC1000V/1Min
 Operating Temperature: -25°C~+85°C
 Electrical life: 50000 Cycles



Circuitry



Mounting



ORDER INFORMATION

KLS7-PBS-002 X X

Part Number

Button color: R=Red G=Green B=Black

PBS-002: Push Button Switch Series

Function: B=ON-OFF

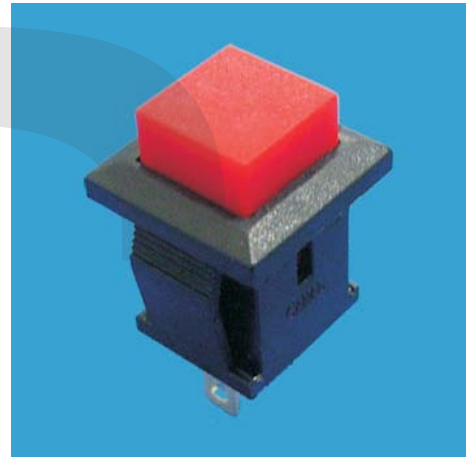
Switch

Push Button Switch Series

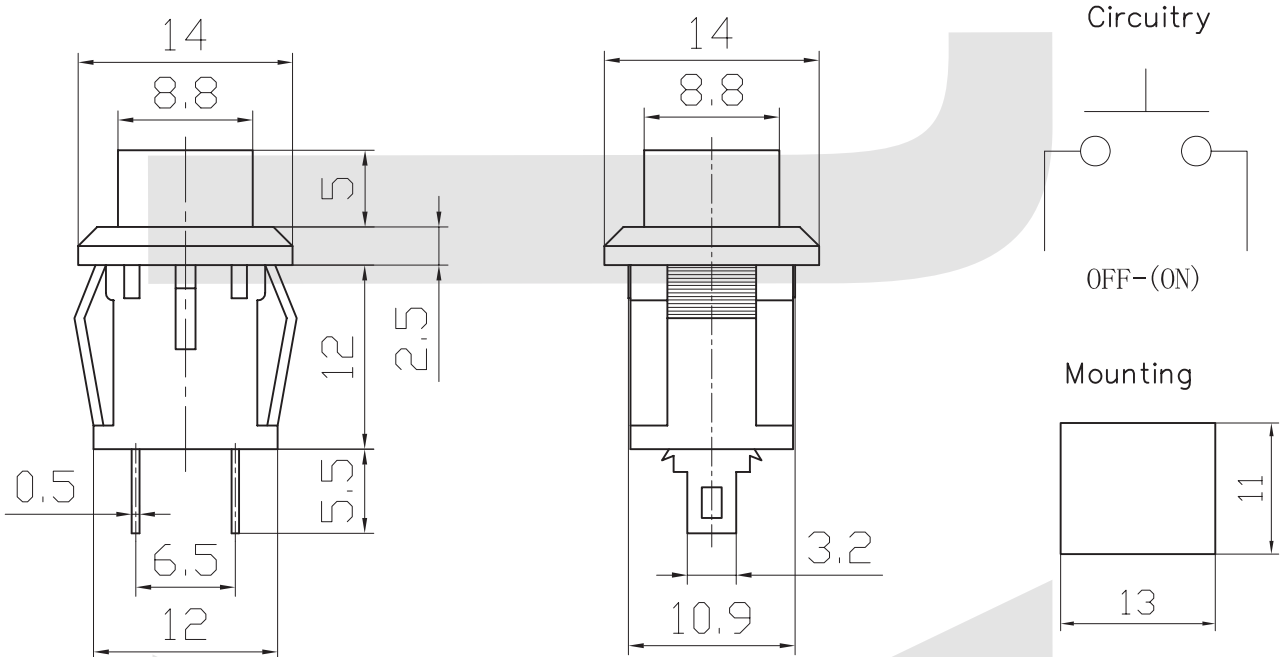
KLS7-PBS-003 Push Button Switch Series

ELECTRICAL

Rating: 3A 125V AC ,1A 250V AC
Contact resistance: 20mΩ Max
Insulation resistance: 100MΩ/500VDC Min
Withstanding Voltage: AC1000V/1Min
Operating Temperature: -25°C~+85°C
Electrical life: 50000 Cycles



VII



ORDER INFORMATION

KLS7-PBS-003 X X

Part Number ————

PBS-003: Push Button Switch Series ————

Button color: R=Red G=Green B=Black

Function: C=ON-(OFF)
D=OFF-(ON)

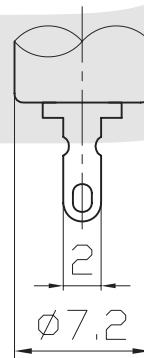
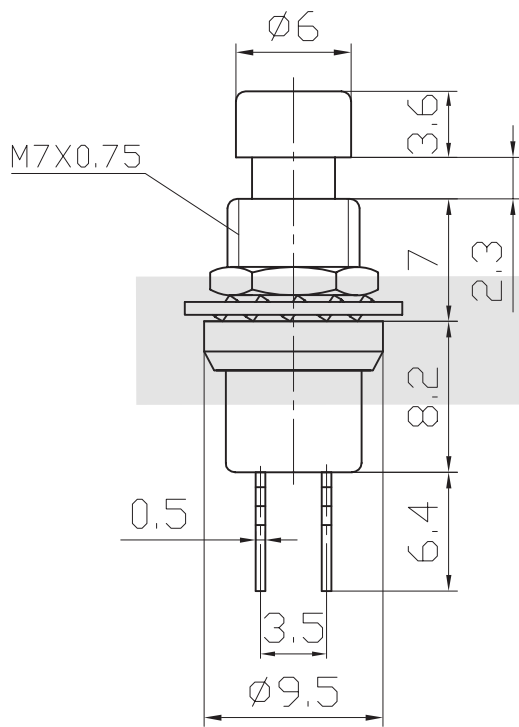
Switch

Push Button Switch Series

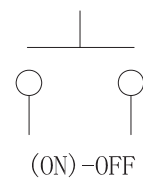
KLS7-PBS-004 Push Button Switch Series

ELECTRICAL

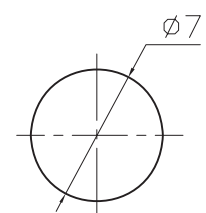
Rating: 3A 125V AC ,1A 250V AC
Contact resistance: 20mΩ Max
Insulation resistance: 100MΩ/500VDC Min
Withstanding Voltage: AC1000V/1Min
Operating Temperature: -25°C~+85°C
Electrical life: 50000 Cycles



Circuitry



Mounting



ORDER INFORMATION

KLS7-PBS-004 X X

Part Number

PBS-004: Push Button Switch Series

Button color: R=Red G=Green B=Black

Function: C=ON-(OFF)
D=OFF-(ON)

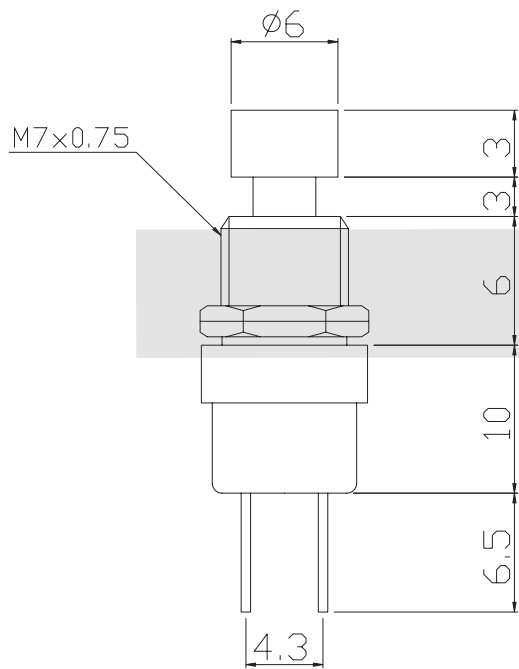
Switch

Push Button Switch Series

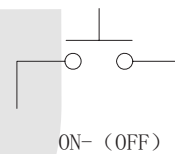
KLS7-PBS-005 Push Button Switch Series

ELECTRICAL

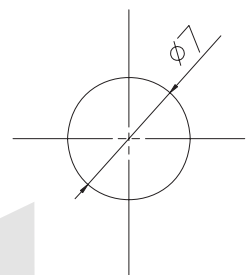
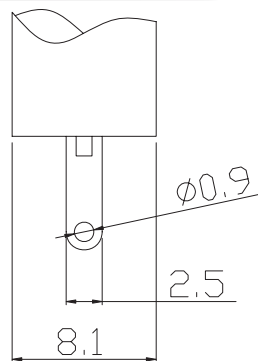
Rating: 3A 125V AC ,1A 250V AC
Contact resistance: 20mΩ Max
Insulation resistance: 100MΩ/500VDC Min
Withstanding Voltage: AC1000V/1Min
Operating Temperature: -25°C~+85°C
Electrical life: 50000 Cycles



Circuitry



Mounting



ORDER INFORMATION

KLS7-PBS-005 X X

Part Number ————

PBS-005: Push Button Switch Series

Button color: R=Red G=Green B=Black

Function: C=ON-(OFF)
D=OFF-(ON)

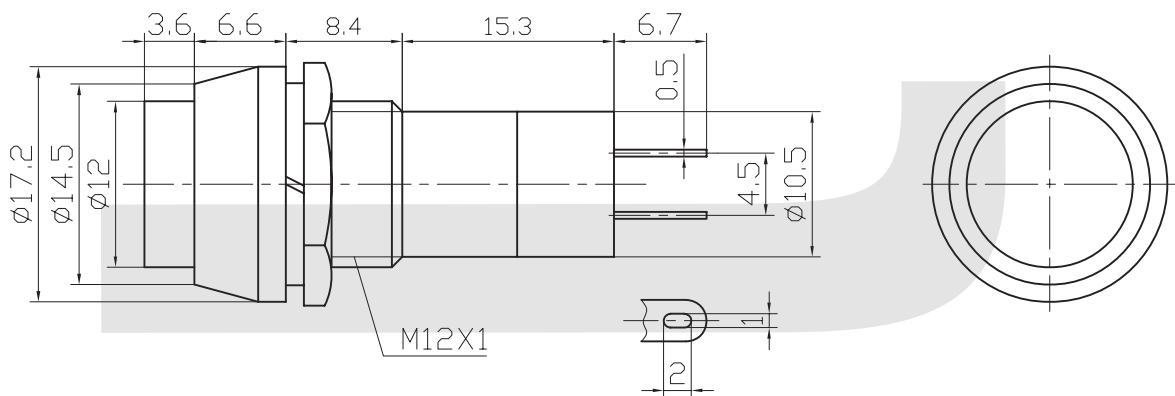
Switch

Push Button Switch Series

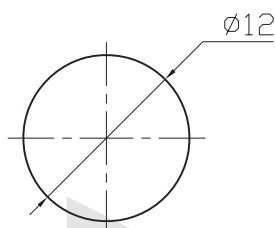
KLS7-PBS-006 Push Button Switch Series

ELECTRICAL

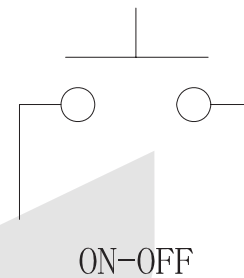
Rating: 3A 125V AC ,1A 250V AC
Contact resistance: 20mΩ Max
Insulation resistance: 100MΩ/500VDC Min
Withstanding Voltage: AC1000V/1Min
Operating Temperature: -25°C~+85°C
Electrical life: 50000 Cycles



Mounting



Circuitry



ORDER INFORMATION

KLS7-PBS-006 X X

Part Number

PBS-006: Push Button Switch Series

Button color: R=Red G=Green B=Black

Function: B=ON-OFF
C=ON-(OFF)
D=OFF-(ON)

Switch

Push Button Switch Series

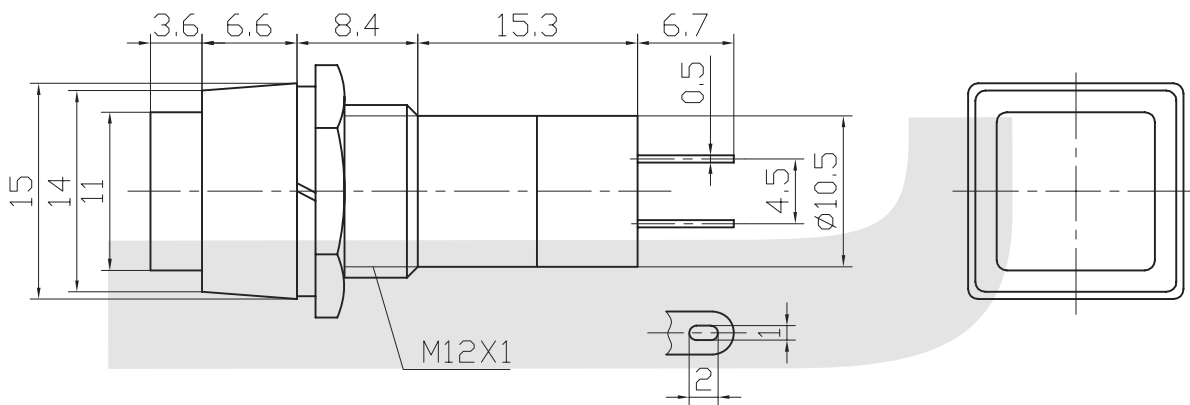
KLS7-PBS-007 Push Button Switch Series

ELECTRICAL

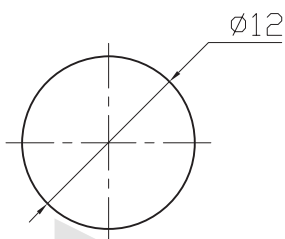
Rating: 3A 125V AC ,1A 250V AC
Contact resistance: 20mΩ Max
Insulation resistance: 100MΩ/500VDC Min
Withstanding Voltage: AC1000V/1Min
Operating Temperature: -25°C~+85°C
Electrical life: 50000 Cycles



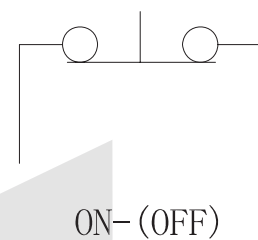
VII



Mounting



Circuitry



ORDER INFORMATION

KLS7-PBS-007 X X

Part Number

PBS-007: Push Button Switch Series

Button color: R=Red G=Green B=Black

Function: B=ON-OFF
C=ON-(OFF)
D=OFF-(ON)

Switch

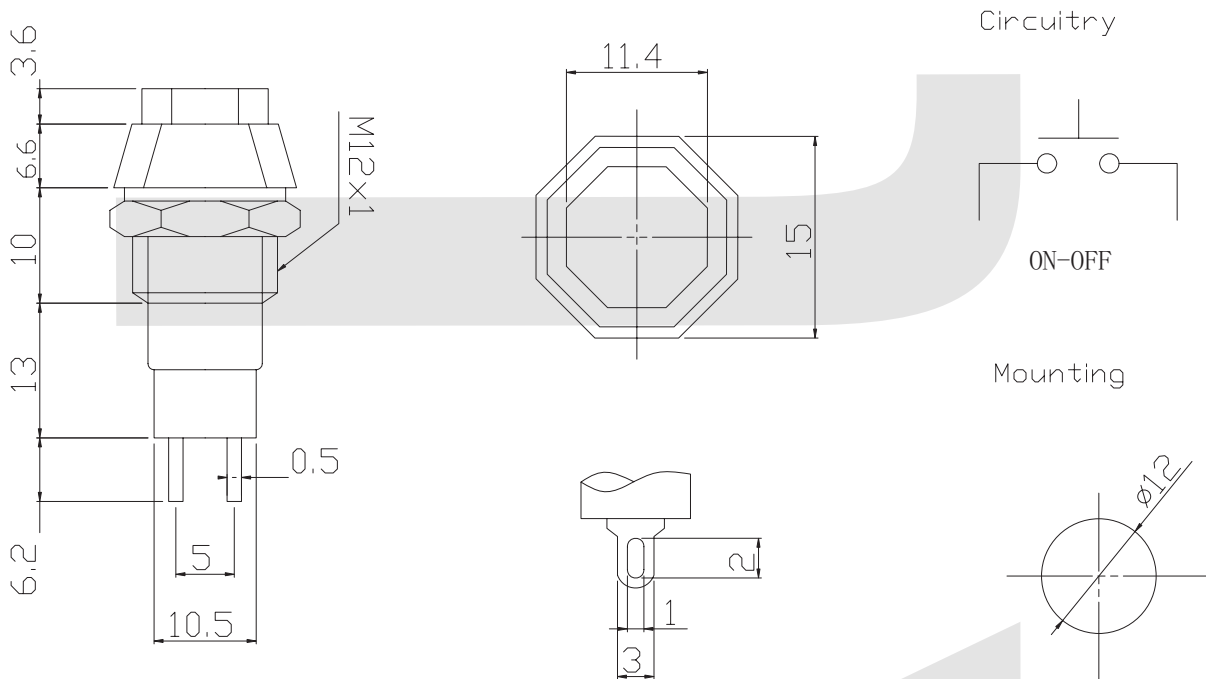
Push Button Switch Series

KLS7-PBS-008 Push Button Switch Series

ELECTRICAL

Rating: 3A 125V AC ,1A 250V AC
Contact resistance: 20mΩ Max
Insulation resistance: 100MΩ/500VDC Min
Withstanding Voltage: AC1000V/1Min
Operating Temperature: -25°C~+85°C
Electrical life: 50000 Cycles

VII



ORDER INFORMATION

KLS7-PBS-008 X X

Part Number

PBS-008: Push Button Switch Series

Button color: R=Red G=Green B=Black

Function: B=ON-OFF
C=ON-(OFF)
D=OFF-(ON)

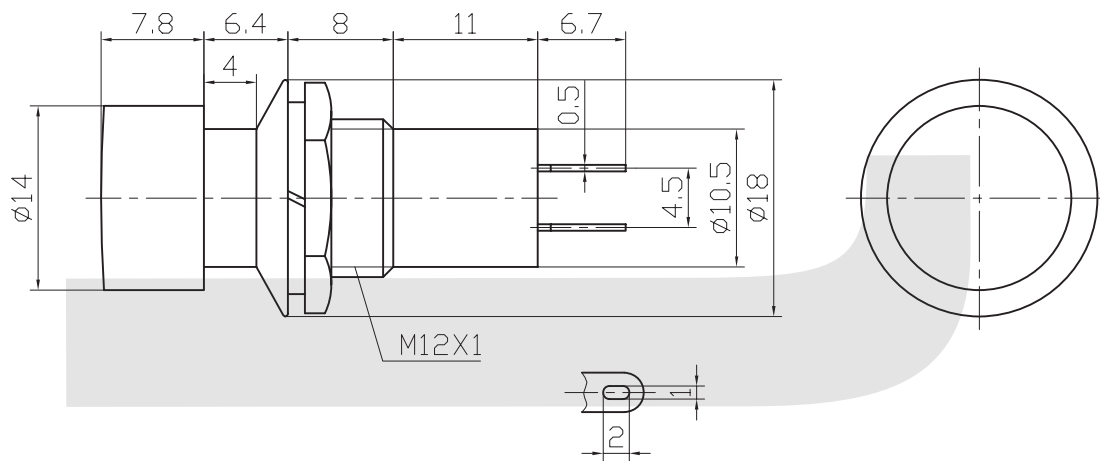
Switch

Push Button Switch Series

KLS7-PBS-009 Push Button Switch Series

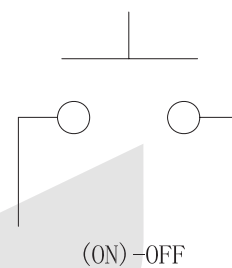
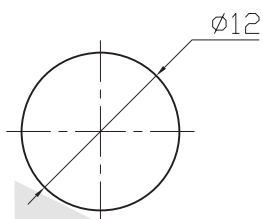
ELECTRICAL

Rating: 3A 125V AC ,1A 250V AC
Contact resistance: 20mΩ Max
Insulation resistance: 100MΩ/500VDC Min
Withstanding Voltage: AC1000V/1Min
Operating Temperature: -25°C~+85°C
Electrical life: 50000 Cycles



Mounting

Circuitry



ORDER INFORMATION

KLS7-PBS-009 X X

Part Number

PBS-009: Push Button Switch Series

Button color: R=Red G=Green B=Black

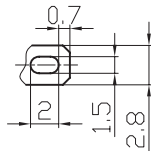
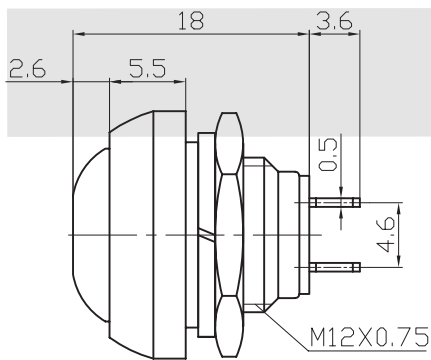
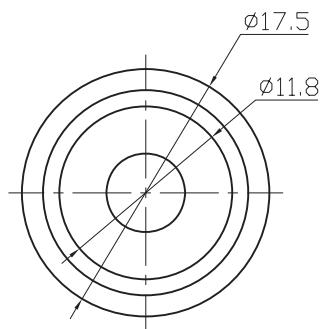
Function: B=ON-OFF
C=ON-(OFF)
D=OFF-(ON)

Push Button Switch Series

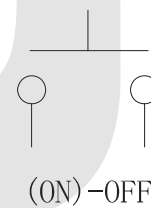
KLS7-PBS-010 Push Button Switch Series

ELECTRICAL

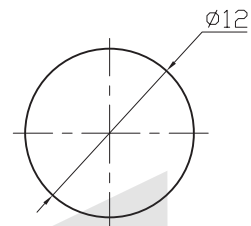
Rating: 3A 125V AC ,1A 250V AC
 Contact resistance: 20mΩ Max
 Insulation resistance: 100MΩ/500VDC Min
 Withstanding Voltage: AC1000V/1Min
 Operating Temperature: -25°C~+85°C
 Electrical life: 50000 Cycles



Circuitry



Mounting



ORDER INFORMATION

KLS7-PBS-010 X X

Part Number: KLS7-PBS-010 X X
 Button color: R=Red G=Green B=Black
 PBS-010: Push Button Switch Series
 Function: B=ON-OFF
 C=ON-(OFF)
 D=OFF-(ON)

Switch

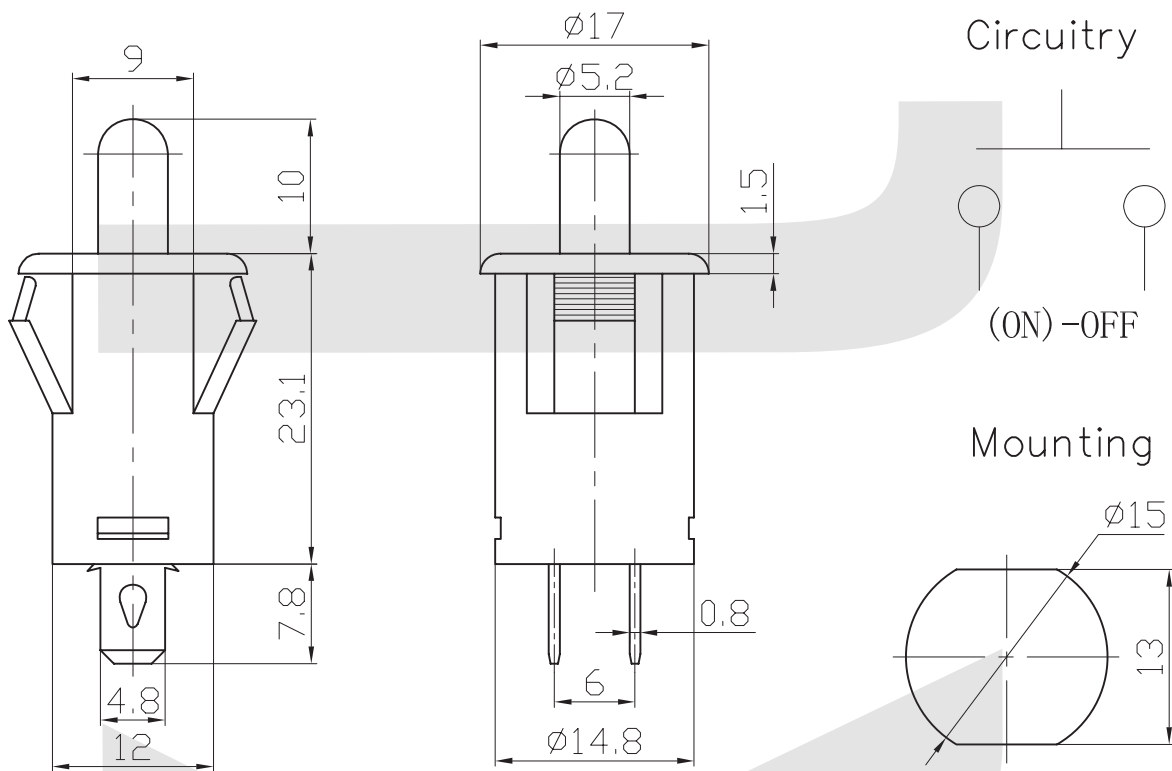
Push Button Switch Series

KLS7-PBS-011 Push Button Switch Series

ELECTRICAL

Rating: 3A 125V AC ,1A 250V AC
Contact resistance: 20mΩ Max
Insulation resistance: 100MΩ/500VDC Min
Withstanding Voltage: AC1000V/1Min
Operating Temperature: -25°C~+85°C
Electrical life: 50000 Cycles

VII



ORDER INFORMATION

KLS7-PBS-011 X X

Part Number

Button color: R=Red G=Green B=Black

PBS-011: Push Button Switch Series

Function: B=ON-OFF
C=ON-(OFF)
D=OFF-(ON)

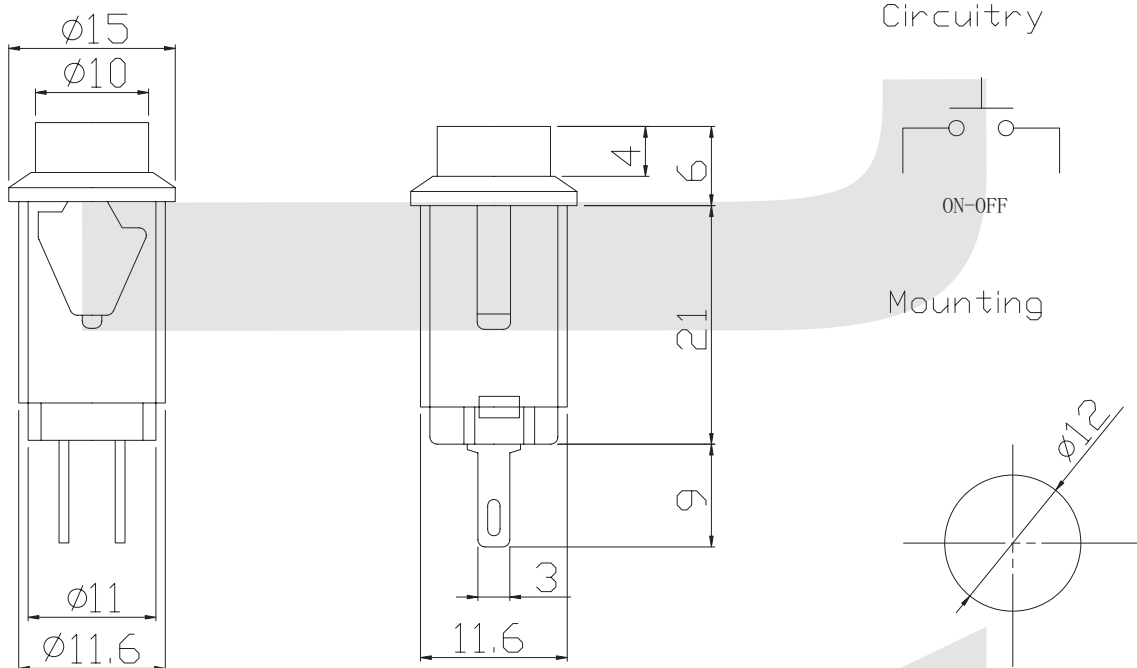
Switch

Push Button Switch Series

KLS7-PBS-012 Push Button Switch Series

ELECTRICAL

Rating: 3A 125V AC ,1A 250V AC
Contact resistance: 20mΩ Max
Insulation resistance: 100MΩ/500VDC Min
Withstanding Voltage: AC1000V/1Min
Operating Temperature: -25°C~+85°C
Electrical life: 50000 Cycles



ORDER INFORMATION

KLS7-PBS-012 X X

Part Number ————

PBS-012: Push Button Switch Series

Button color: R=Red G=Green B=Black

Function: B=ON-OFF
C=ON-(OFF)
D=OFF-(ON)

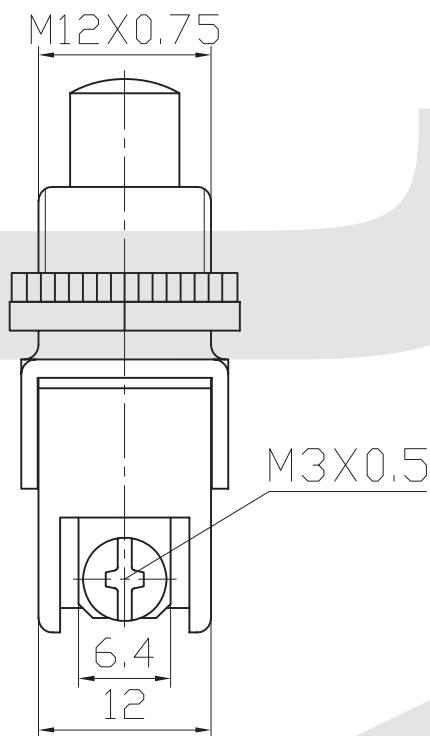
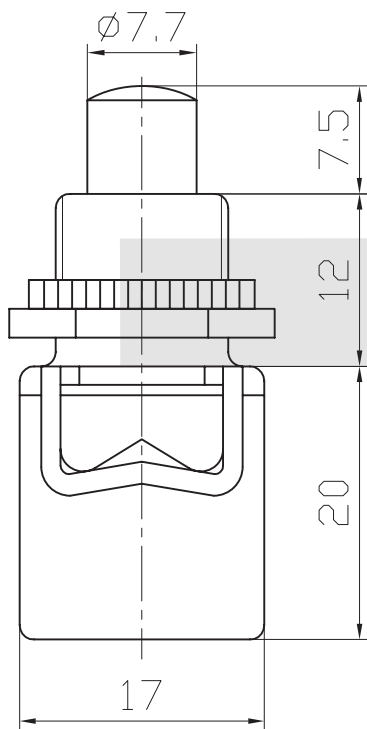
Switch

Push Button Switch Series

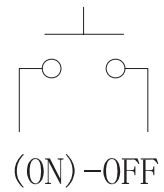
KLS7-PBS-018 Push Button Switch Series

ELECTRICAL

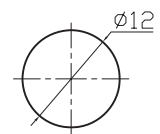
Rating: 8A 125V AC ,4A 250V AC
Contact resistance: 20mΩ Max
Insulation resistance: 100MΩ/500VDC Min
Withstanding Voltage: AC1000V/1Min
Operating Temperature: -25°C~+85°C
Electrical life: 50000 Cycles



Circuitry



Mounting



ORDER INFORMATION

KLS7-PBS-018 X

Part Number

PBS-018: Push Button Switch Series

Function: B=ON-OFF
C=ON-(OFF)
D=OFF-(ON)

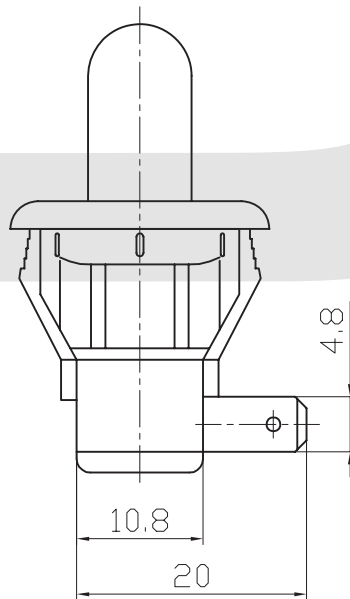
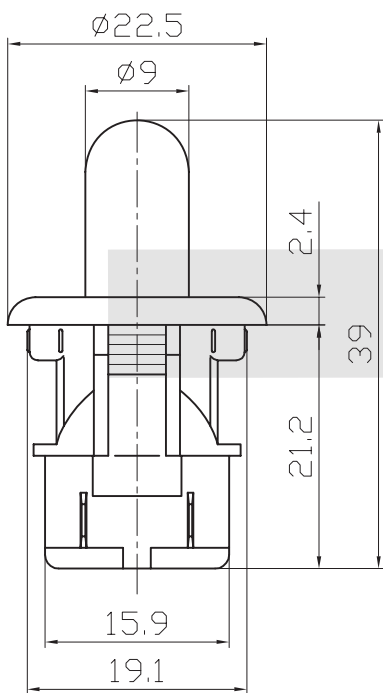
Switch

Push Button Switch Series

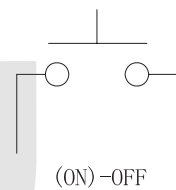
KLS7-PBS-020 Push Button Switch Series

ELECTRICAL

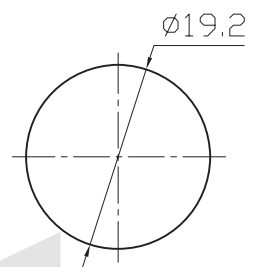
Rating: 5A 125V AC ,2.5A 250V AC
Contact resistance: 20mΩ Max
Insulation resistance: 100MΩ/500VDC Min
Withstanding Voltage: AC1000V/1Min
Operating Temperature: -25°C~+85°C
Electrical life: 50000 Cycles



Circuitry



Mounting



ORDER INFORMATION

KLS7-PBS-020 X

Part Number

PBS-020: Push Button Switch Series

Function: B=ON-OFF
C=ON-(OFF)
D=OFF-(ON)

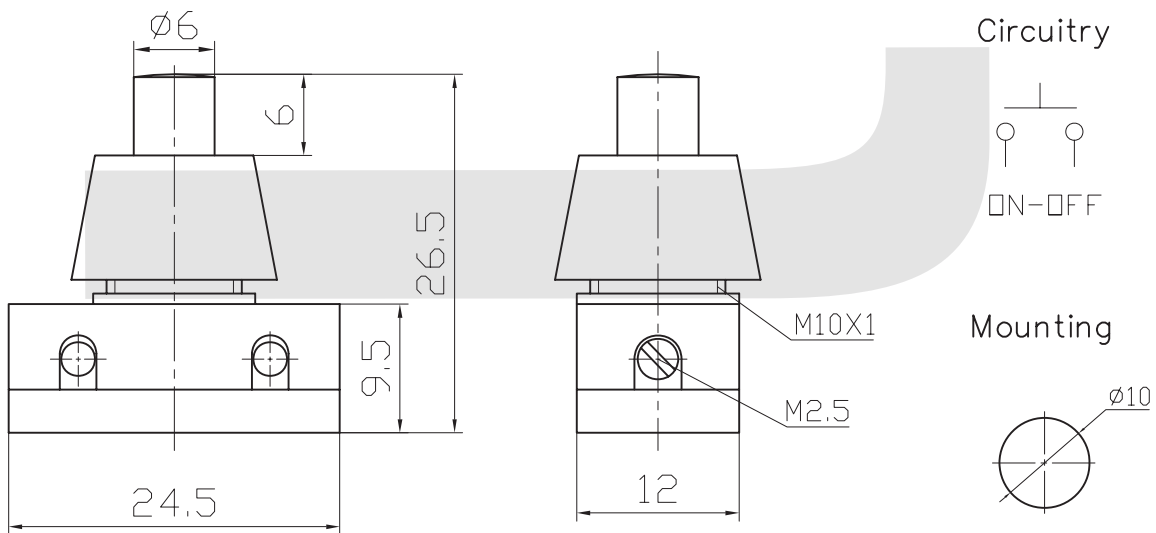
Switch

Push Button Switch Series

KLS7-PBS-020 Push Button Switch Series

ELECTRICAL

Rating: 5A 125V AC ,2.5A 250V AC
Contact resistance: 20mΩ Max
Insulation resistance: 100MΩ/500VDC Min
Withstanding Voltage: AC1000V/1Min
Operating Temperature: -25°C~+85°C
Electrical life: 50000 Cycles



ORDER INFORMATION

KLS7-PBS-021 X

Part Number

PBS-021: Push Button Switch Series

Function: B=ON-OFF
C=ON-(OFF)
D=OFF-(ON)

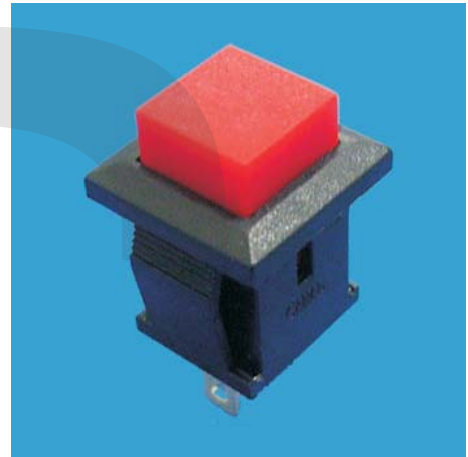
Switch

Push Button Switch Series

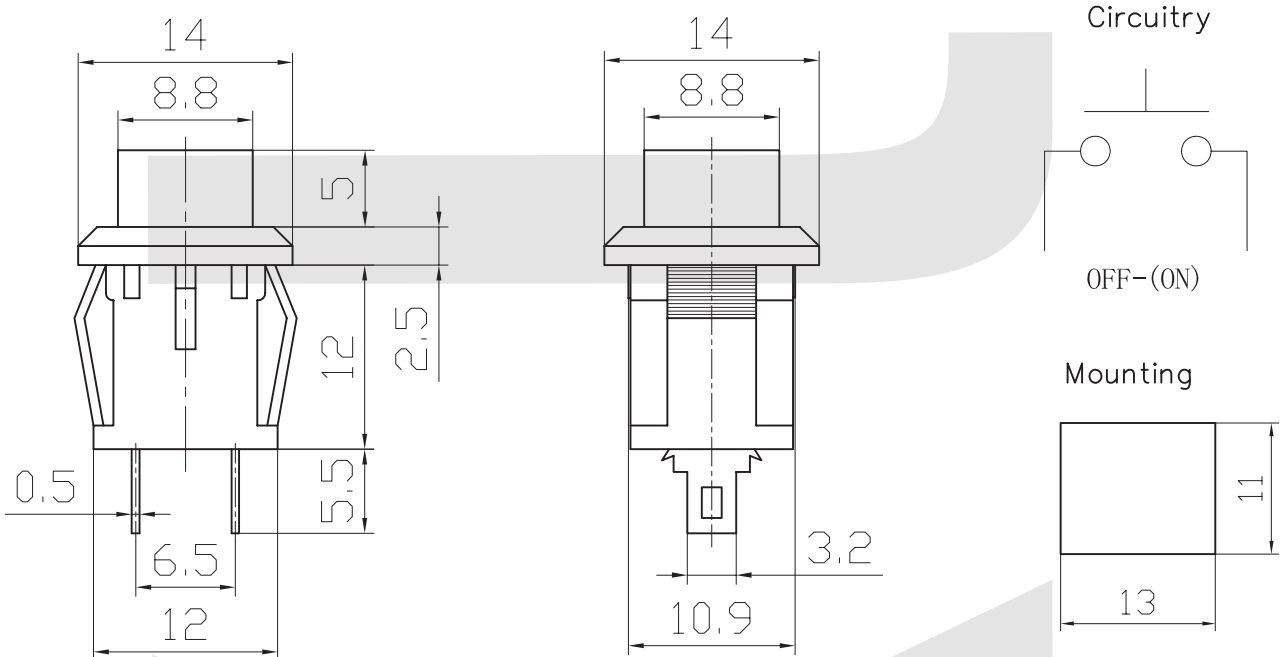
KLS7-PBS-003 Push Button Switch Series

ELECTRICAL

Rating: 3A 125V AC ,1A 250V AC
Contact resistance: 20mΩ Max
Insulation resistance: 100MΩ/500VDC Min
Withstanding Voltage: AC1000V/1Min
Operating Temperature: -25°C~+85°C
Electrical life: 50000 Cycles



VII



ORDER INFORMATION

KLS7-PBS-003 X X

Part Number ————

PBS-003: Push Button Switch Series

Button color: R=Red G=Green B=Black

Function: C=ON-(OFF)
D=OFF-(ON)