

Switch

Micro Switch Series

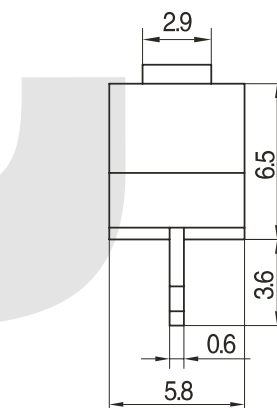
KLS7-KW10 Micro Switch Series

Action sensitive subminiature switch
Mini-type, big current. Characteristic: small contact gap, quick action, high sensitivity and small operating travel
Long life
A variety of contact terminals
A variety of levers
Widely used in home appliance, audio video device, computer, office automation equipment, communication equipment, etc.
Withstand Voltage : AC250V (50Hz) Min.
Temperature : -40°C~+70°C

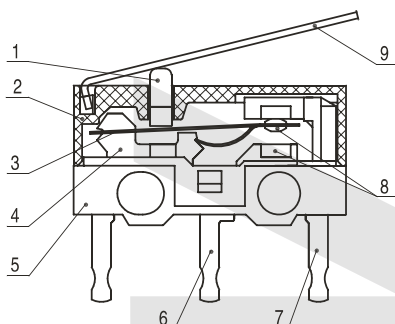


Specifications

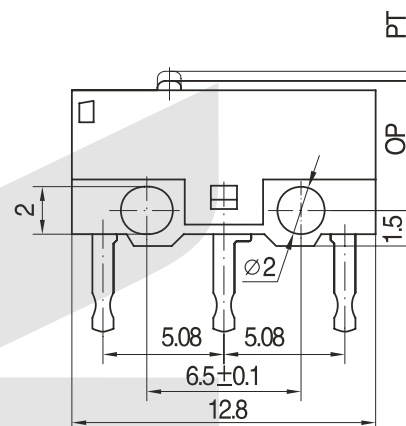
| Item | Value |
|-----------------------|--|
| Operating speed | 1mm ~ 500mm/s (Related with actuator forms) |
| Operating frequency | Mechanical 60 cycles/min; Electrical 25cycles/min |
| Insulation resistance | ≥ 100MΩ (500VDC) |
| Contact resistance | OF>0.75N: ≤30mΩ (see note) OF≤0.75N: ≤50mΩ (see note) KW10-D、E、F型: ≤100mΩ (見注) |
| Test voltage | Between terminals of the same polarity |
| | Between current-carrying metal parts and ground(case), and between each terminal and non-current-carrying metal parts. |
| Vibration resistance | 10 ~ 55Hz, 1.5mm Double amplitude |
| Shock resistance | Malfuction:300m/s ² (approx.30G)max |
| Life expectancy | Mechanical ≥ 1,000,000 cycles Electrical ≥ 10,000cycles |
| Weight | Approx. 0.6g(No lever) |
| Safety approvals | UL、CUL、TUV、CE、EK、CQC |



Internal configuration drawing



- 1: Plunger
- 2: Cover
- 3: Moving piece
- 4: Support
- 5: Case
- 6: NO terminal
- 7: NC terminal
- 8: Contact
- 9: Moving arm



Micro Switch Series

KLS7-KW10 Micro Switch Series

ORDER INFORMATION

KLS7-KW10 - X X X X X - (X)

Part Number
Micro Switch Type

Rating:

No mark: 3 (0.5) A250V / 3A125VAC
 C : 1 (0.5) A250V / 1A125VAC
 D : 0.5 (0.2) A250V / 0.5A125VAC
 E : 0.3 (0.1) A250V / 0.3A125VAC
 F : 0.1 (0.05) A250V / 0.1A125VAC

Additional spec numbers apply to:
 when used not standard parts such
 as not standard terminal
 when customer has particular operating
 value or other require ments.

Operating force
 045: 0.45N
 075: 0.75N
 150: 1.5N
 250: 2.5N
 Note: if it is not standard operating force, indicate
 with the upper limit

Terminal Types
 F: Solder terminal
 G: Long solder terminal
 P: PCB terminal
 L: Left side PCB terminal
 R: Right side PCB terminal
 S: Self-clinching PCB terminal
 Y: Not standard terminal

Actuator forms
 0: No lever
 1: Short lever
 2: Long lever
 3: Middle lever
 5: Roller
 6: Long arc lever
 □: Not standard lever

| | Circuit |
|------------|---------|
| Z: SPDT | |
| T: SPST-NO | |
| D: SPST-NC | |

◆ Terminal dimensions

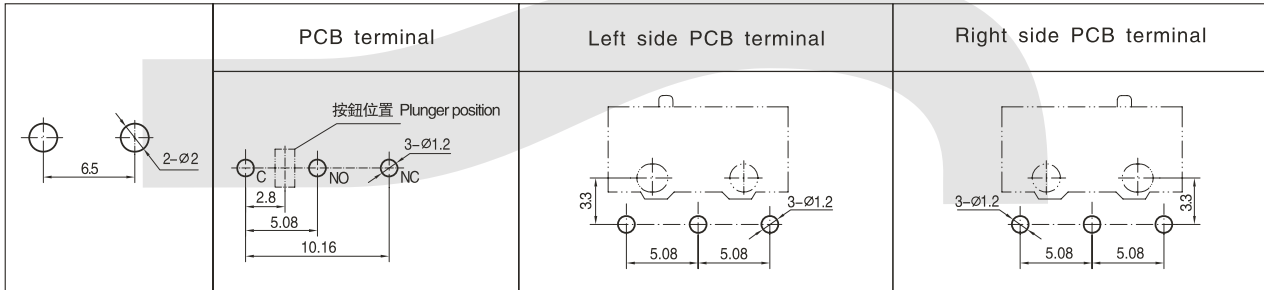
| P | G | S | |
|------------------------|-------------------------|-----------------------------|--------------------------|
| PCB terminal | Long solder terminal | Self-clinching PCB terminal | |
| | | | |
| L | R | F | H |
| Left side PCB terminal | Right side PCB terminal | Solder terminal | Minitype solder terminal |
| | | | |

Micro Switch Series

KLS7-KW10 Micro Switch Series

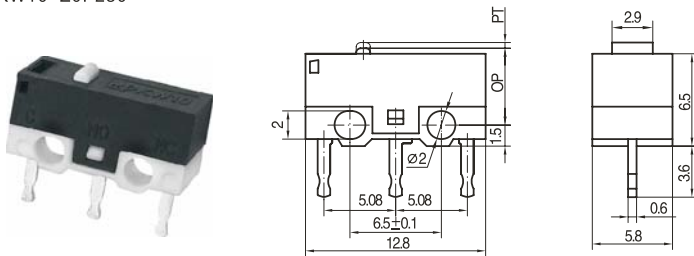
VII

◆ Mounting hole dimensions



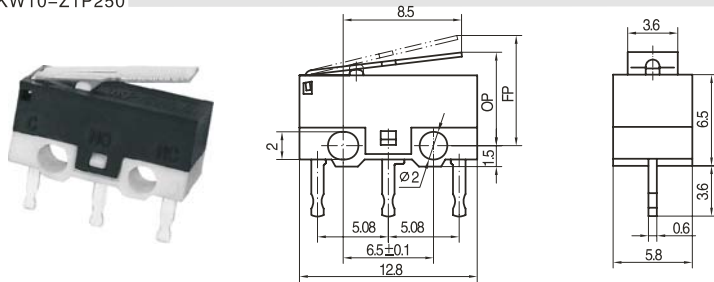
◆ Dimensions and operating characteristics

KW10-Z0P075
KW10-Z0P150
KW10-Z0P250



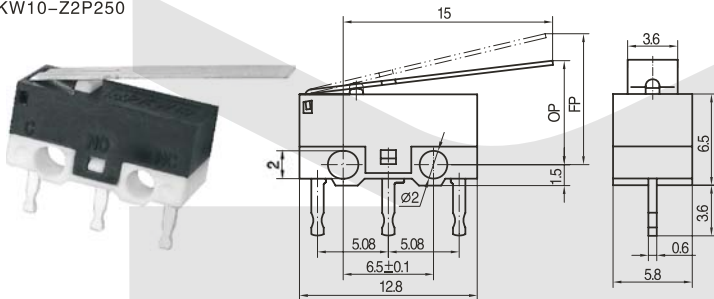
| 型號 Model | KW10-Z0P075 | KW10-Z0P150 | KW10-Z0P250 |
|------------|-------------|-------------|-------------|
| OF Max(N) | 0.75 | 1.50 | 2.50 |
| RF Min(N) | 0.05 | 0.08 | 0.40 |
| PT Max(mm) | 0.5 | | |
| OT Min(mm) | 0.2 | | |
| MD Max(mm) | 0.2 | | |
| OP(mm) | 5.5 ± 0.3 | | |

KW10-Z1P075
KW10-Z1P150
KW10-Z1P250



| 型號 Model | KW10-Z1P075 | KW10-Z1P150 | KW10-Z1P250 |
|------------|-------------|-------------|-------------|
| OF Max(N) | 0.26 | 0.53 | 0.90 |
| RF Min(N) | 0.04 | 0.08 | 0.15 |
| OT Min(mm) | 0.6 | | |
| MD Max(mm) | 0.6 | | |
| FP Max(mm) | 9.0 | | |
| OP(mm) | 6.7 ± 1 | | |

KW10-Z2P075
KW10-Z2P150
KW10-Z2P250

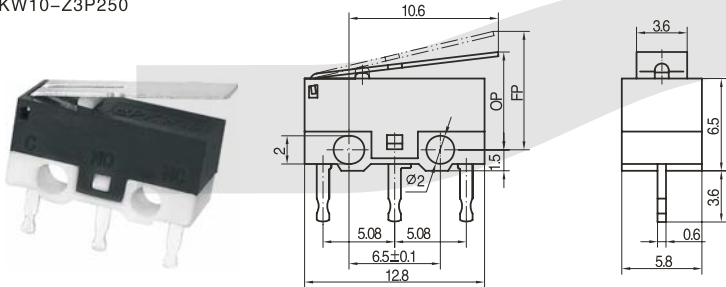


| 型號 Model | KW10-Z2P075 | KW10-Z2P150 | KW10-Z2P250 |
|------------|-------------|-------------|-------------|
| OF Max(N) | 0.17 | 0.33 | 0.55 |
| RF Min(N) | 0.02 | 0.04 | 0.08 |
| OT Min(mm) | 1.0 | | |
| MD Max(mm) | 1.0 | | |
| FP Max(mm) | 10.0 | | |
| OP(mm) | 7.6 ± 1.5 | | |

Micro Switch Series

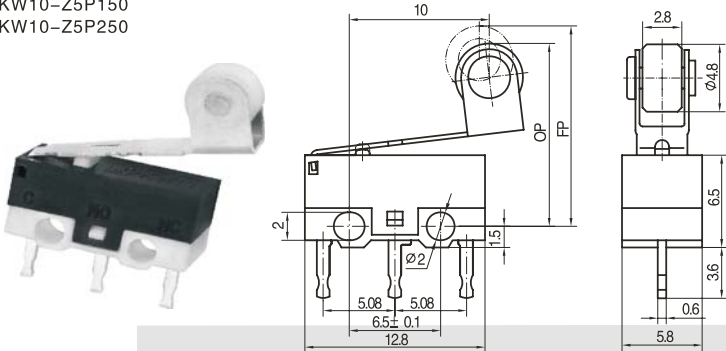
KLS7-KW10 Micro Switch Series

KW10-Z3P075
KW10-Z3P150
KW10-Z3P250



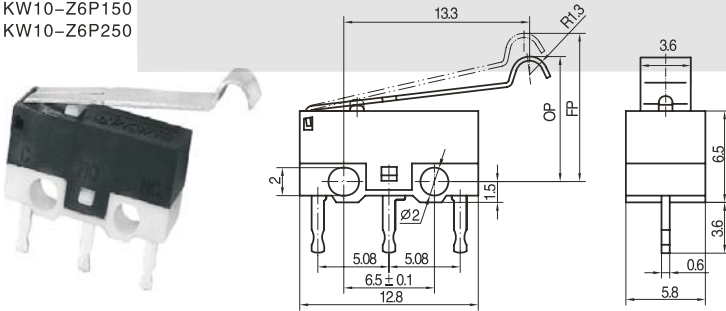
| 型號 Model | KW10-Z3P075 | KW10-Z3P150 | KW10-Z3P250 |
|------------|-------------|-------------|-------------|
| OF Max(N) | 0.23 | 0.45 | 0.75 |
| RF Min(N) | 0.03 | 0.06 | 0.12 |
| OT Min(mm) | 0.7 | | |
| MD Max(mm) | 0.7 | | |
| FP Max(mm) | 9.5 | | |
| OP(mm) | 7 ± 1.2 | | |

KW10-Z5P075
KW10-Z5P150
KW10-Z5P250



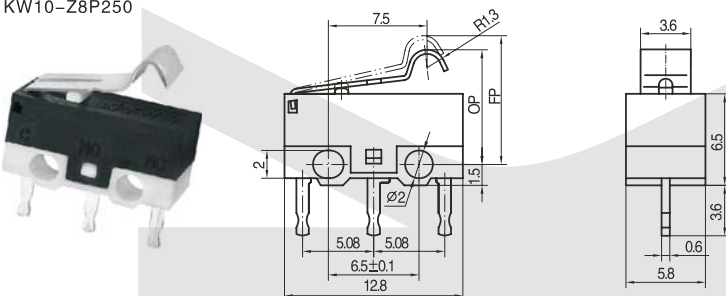
| 型號 Model | KW10-Z5P075 | KW10-Z5P150 | KW10-Z5P250 |
|------------|-------------|-------------|-------------|
| OF Max(N) | 0.23 | 0.46 | 0.77 |
| RF Min(N) | 0.02 | 0.05 | 0.10 |
| OT Min(mm) | 0.7 | | |
| MD Max(mm) | 0.7 | | |
| FP Max(mm) | 16.5 | | |
| OP(mm) | 13 ± 1.5 | | |

KW10-Z6P075
KW10-Z6P150
KW10-Z6P250



| 型號 Model | KW10-Z6P075 | KW10-Z6P150 | KW10-Z6P250 |
|------------|-------------|-------------|-------------|
| OF Max(N) | 0.18 | 0.36 | 0.60 |
| RF Min(N) | 0.02 | 0.05 | 0.10 |
| OT Min(mm) | 0.9 | | |
| MD Max(mm) | 0.9 | | |
| FP Max(mm) | 11.5 | | |
| OP(mm) | 8.6 ± 1 | | |

KW10-Z8P075
KW10-Z8P150
KW10-Z8P250

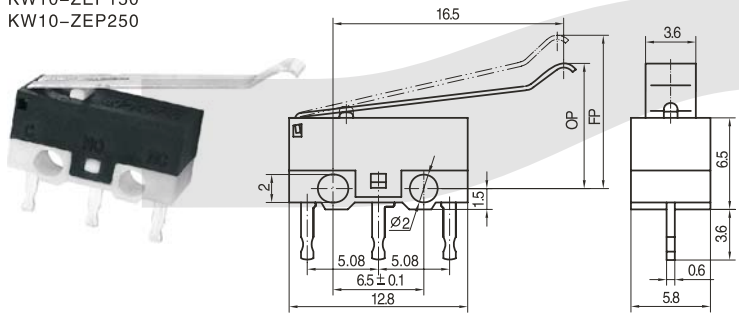


| 型號 Model | KW10-Z8P075 | KW10-Z8P150 | KW10-Z8P250 |
|------------|-------------|-------------|-------------|
| OF Max(N) | 0.30 | 0.60 | 1.00 |
| RF Min(N) | 0.03 | 0.06 | 0.12 |
| OT Min(mm) | 0.6 | | |
| MD Max(mm) | 0.6 | | |
| FP Max(mm) | 10.5 | | |
| OP(mm) | 8.6 ± 1 | | |

Micro Switch Series

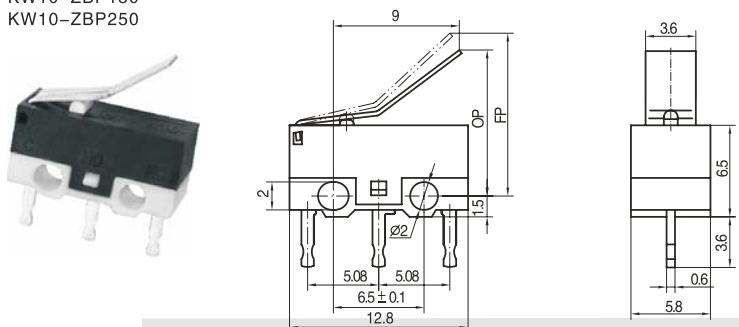
KLS7-KW10 Micro Switch Series

KW10-ZEP075
KW10-ZEP150
KW10-ZEP250



| 型號 Model | KW10-ZEP075 | KW10-ZEP150 | KW10-ZEP250 |
|------------|-------------|-------------|-------------|
| OF Max(N) | 0.15 | 0.30 | 0.50 |
| RF Min(N) | 0.02 | 0.05 | 0.10 |
| OT Min(mm) | 1.1 | | |
| MD Max(mm) | 1.0 | | |
| FP Max(mm) | 11.5 | | |
| OP(mm) | 8.5 ± 1.5 | | |

KW10-ZBP075
KW10-ZBP150
KW10-ZBP250



| 型號 Model | KW10-ZBP075 | KW10-ZBP150 | KW10-ZBP250 |
|------------|-------------|-------------|-------------|
| OF Max(N) | 0.25 | 0.50 | 0.80 |
| RF Min(N) | 0.02 | 0.05 | 0.10 |
| OT Min(mm) | 0.6 | | |
| MD Max(mm) | 0.6 | | |
| FP Max(mm) | 12.5 | | |
| OP(mm) | 10.5 ± 1.5 | | |