

# Switch

## DIP Switch Series

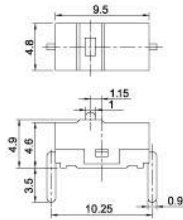
### KLS7-DS030



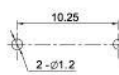
NEW



**DS030-00P**



PC.B.HOLE DETAIL

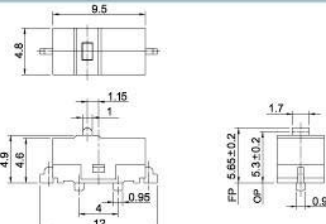


Rating: 0.1A 125V AC / 48V DC.  
Contact Resistance:  $\leq 300m\Omega$ .  
Insulation Resistance:  $\geq 100M\Omega$  250V DC.  
Withstand Voltage: 250V AC 1 minute.  
Mechanical Life: 100,000 Cycles.  
Electrical Life: 30,000 Cycles.  
Operating Force: 70-110g.

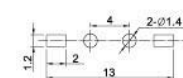
NEW



**DS130-00M**



PC.B.HOLE DETAIL

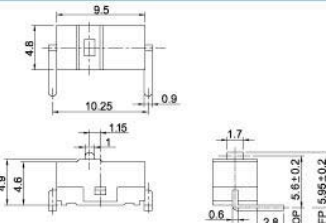


Rating: 0.1A 125V AC / 48V DC.  
Contact Resistance:  $\leq 300m\Omega$ .  
Insulation Resistance:  $\geq 100M\Omega$  250V DC.  
Withstand Voltage: 250V AC 1 minute.  
Mechanical Life: 1,000,000 Cycles.  
Electrical Life: 300,000 Cycles.  
Operating Force: 70-110g.

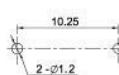
NEW



**DS030-00C**



PC.B.HOLE DETAIL

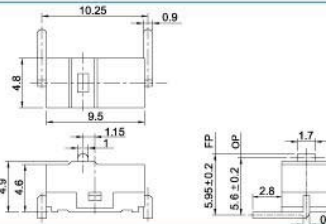


Rating: 0.1A 125V AC / 48V DC.  
Contact Resistance:  $\leq 300m\Omega$ .  
Insulation Resistance:  $\geq 100M\Omega$  250V DC.  
Withstand Voltage: 250V AC 1 minute.  
Mechanical Life: 100,000 Cycles.  
Electrical Life: 30,000 Cycles.  
Operating Force: 70-110g.

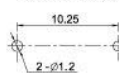
NEW



**DS030-00D**



PC.B.HOLE DETAIL



Rating: 0.1A 125V AC / 48V DC.  
Contact Resistance:  $\leq 300m\Omega$ .  
Insulation Resistance:  $\geq 100M\Omega$  250V DC.  
Withstand Voltage: 250V AC 1 minute.  
Mechanical Life: 100,000 Cycles.  
Electrical Life: 30,000 Cycles.  
Operating Force: 70-110g.

## ORDER INFORMATION

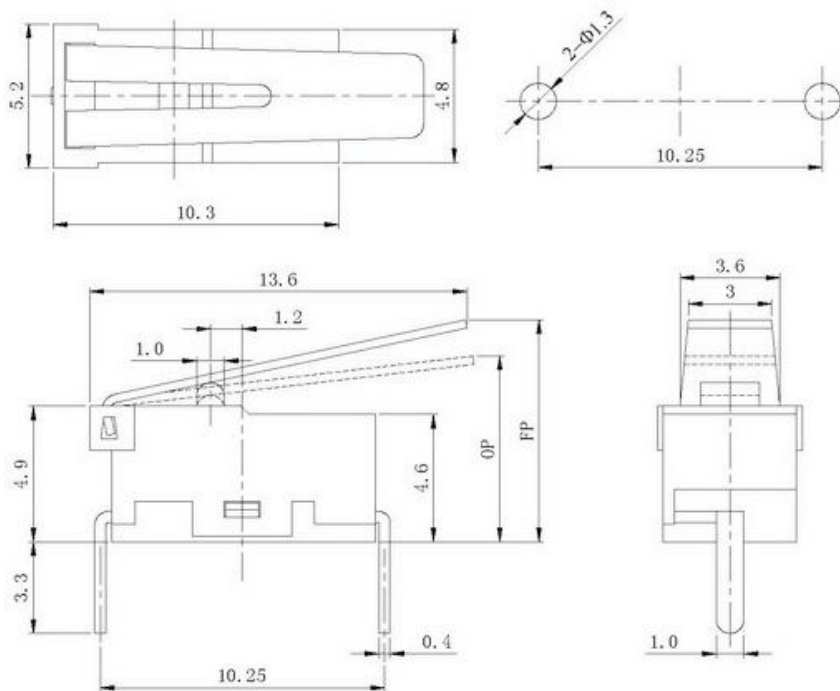
# Switch

## DIP Switch Series

### KLS7-DS030-00A

#### SPECIFICATIONS

Rating: 0.1A 125V AC / 0.1A 48V DC  
SIZE: 10.3 x 5.2 x 4.9 mm  
Pitch: 10.25 mm  
Lever: 13.6 mm  
Operating Force: 30g  
Withstand Voltage: AC 250 V 1 Minute  
Insulation resistance: 100 MΩ 250 V DC  
Contact resistance: 300 MΩ Min.  
Operating temperature: -10°C ~ +60°C  
Mechanical Life: 1,00,000 Cycles  
Electrical Life: 30,000 Cycles



## ORDER INFORMATION

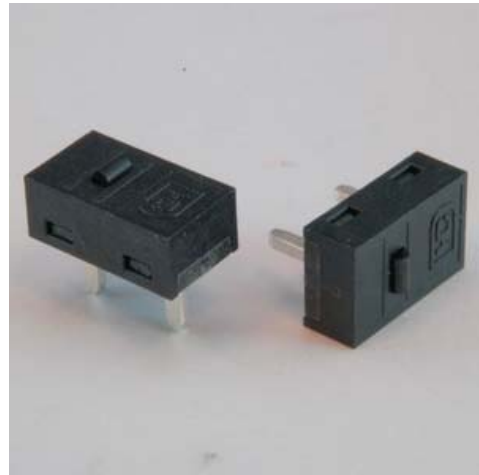
# Switch

## DIP Switch Series

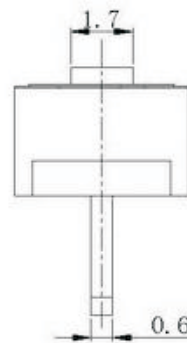
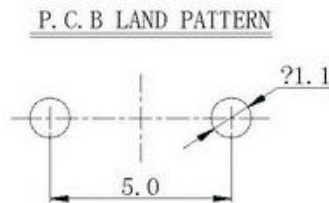
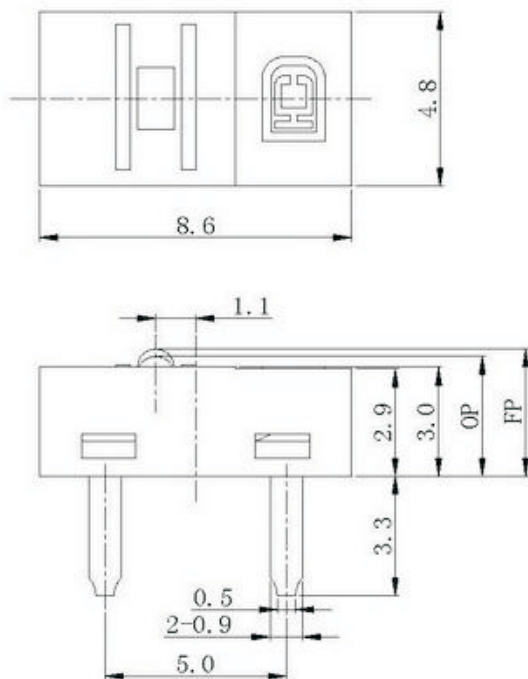
### KLS7-DS031

#### SPECIFICATIONS

Rating: 0.1A 125V AC / 0.1A 48V DC  
SIZE: 8.6 x 4.8 x 3.5 mm  
Pitch: 5.0 mm  
Operating Force: 70g  
Withatand Voltage: AC 250 V 1 Minute  
Insulation resistance: 100 M $\Omega$  250 V DC  
Contact resistance: 300 M $\Omega$   
Operating temperature: -25oC ~ +80oC  
Mechanical Life: 100,000 Cycles  
Electrical Life: 100,000 Cycles



VII



## ORDER INFORMATION

# Switch

## DIP Switch Series

### KLS7-DS031

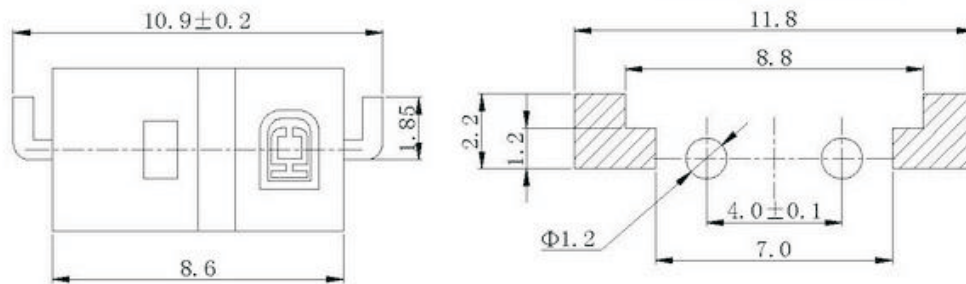
#### SPECIFICATIONS

Rating: 0.1A 125V AC / 0.1A 48V DC  
SIZE: 8.6 x 4.8 x 3.5 mm  
Operating Force: 70g  
Withstand Voltage: AC 250 V 1 Minute  
Insulation resistance: 100 MΩ 250 V DC  
Contact resistance: 300 MΩ  
Operating temperature: -25°C ~ +80°C  
Mechanical Life: 1000,000 Cycles  
Electrical Life: 1000,000 Cycles

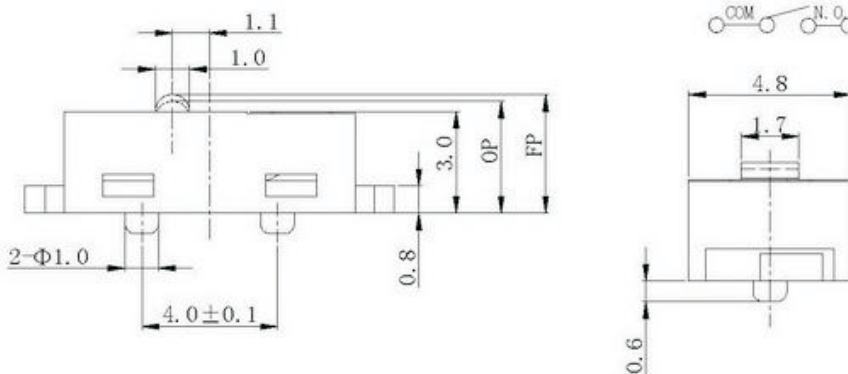


VII

#### P. C. B LAND PATTERN



#### CIRCUIT DIAGRAM



## ORDER INFORMATION

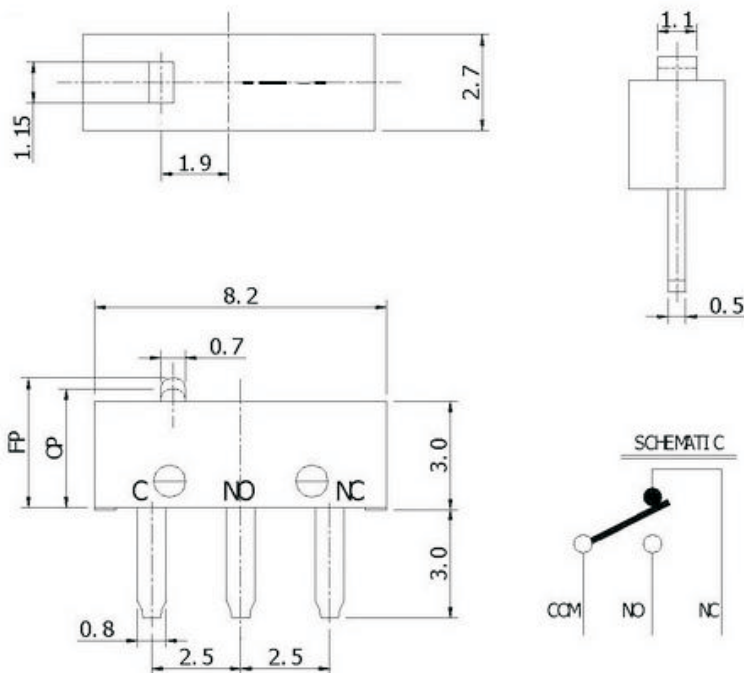
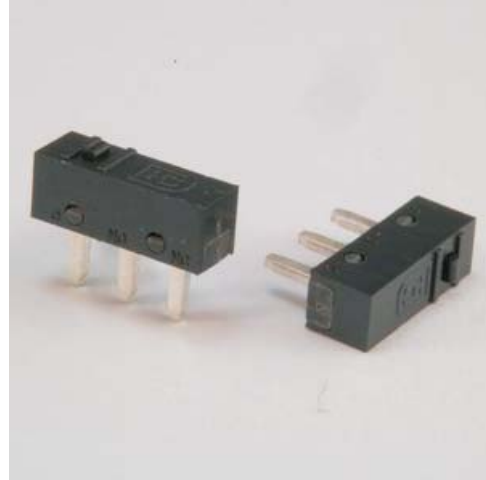
# Switch

## DIP Switch Series

### KLS7-DS033

#### SPECIFICATIONS

Rating: 0.3A 6V DC  
SIZE: 8.2 x 2.7 x 3.65 mm  
Pitch: 2.5 mm  
Operating Force: 40g  
Withatand Voltage: AC 250 V 1 Minute  
Insulation resistance: 100 MΩ Mim. 250V DC  
Contact resistance: 300 MΩ  
Operating temperature: -25oC ~ +80oC  
Mechanical Life: 1000,000 Cycles  
Electrical Life: 1000,000 Cycles



## ORDER INFORMATION

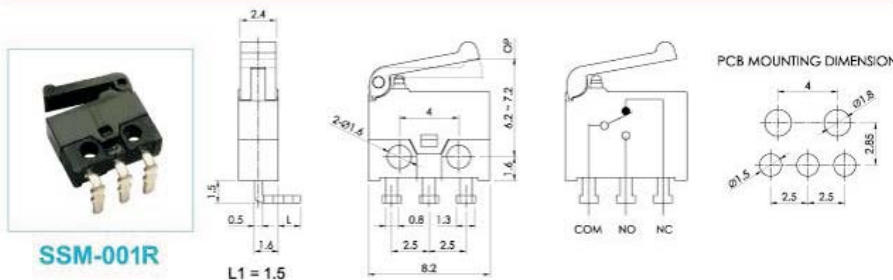
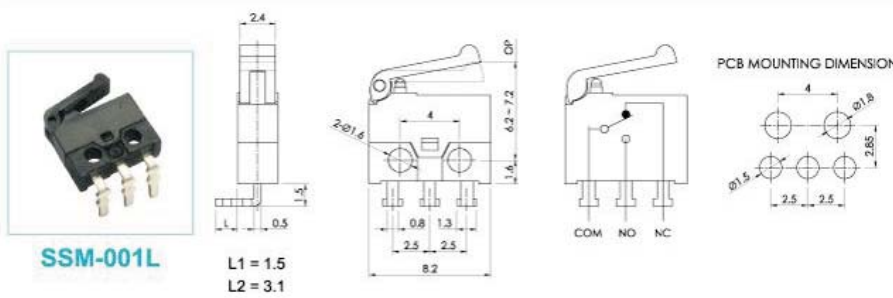
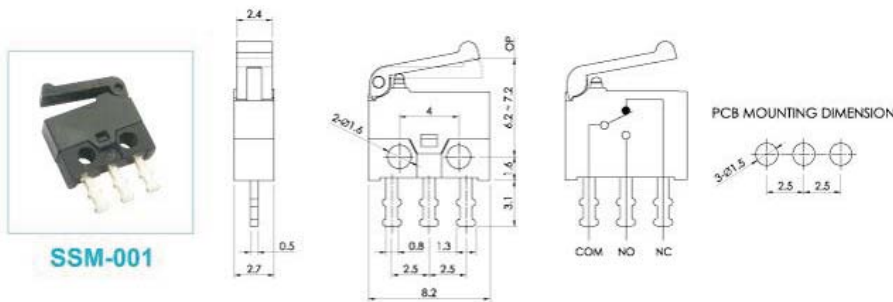
# Switch

## DIP Switch Series

### KLS7-SSM-001



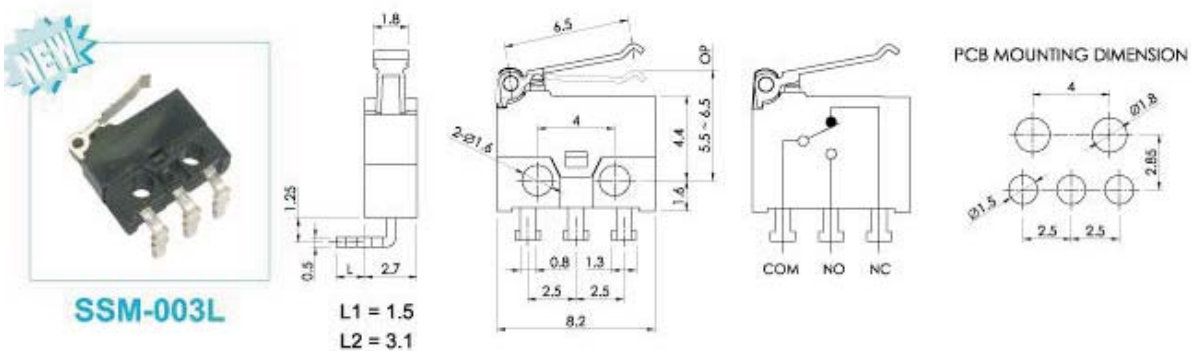
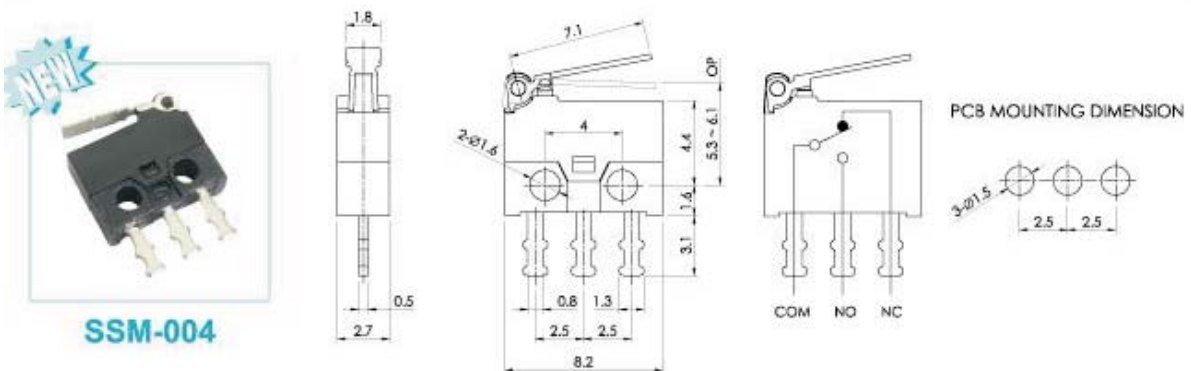
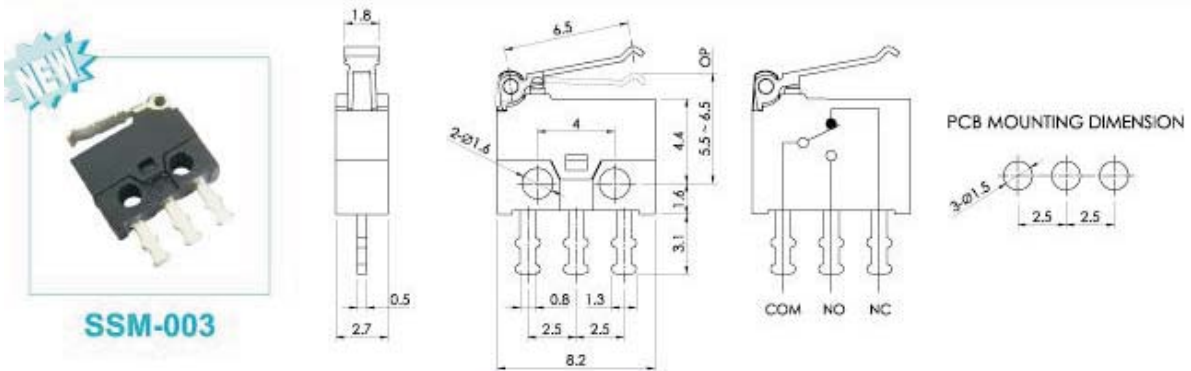
Rating	: 500mA 30V DC.	Contact Resistance	: 100mΩ Max. (initial)
Operating Position	001 Series : 6.7mm±0.5mm. 002 Series : 5.5mm±0.1mm. 003 Series : 6mm±0.5mm. 004 Series : 5.7mm±0.4mm.	Operating Force	: 50g Max.
Life	: 300,000 Cycles Min.	Operating Temperature	: -25C ~ +70C.
Insulation Resistance	: 100MΩ Min. (at 500V DC)	Ambient Humidity	: 35% ~ 85%RH.
Dielectric Withstanding Voltage	: 250V AC 1 minute.	Maifunction Durability	: 10 ~ 55Hz 1.5mm. double amplitude during 2 hours.



# Switch

## DIP Switch Series

### KLS7-SSM-001



## ORDER INFORMATION