

# PCB Connector

## PCB Connector Series

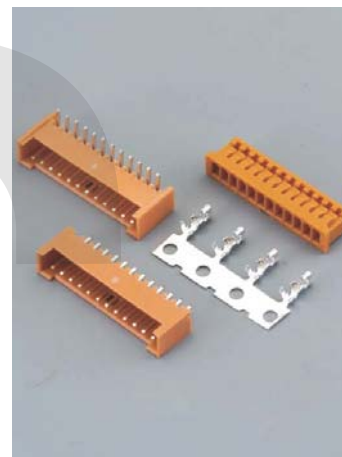
### KLS1-XL1-1.25 Pitch=1.25mm TYPE

**Electrical Specification:**

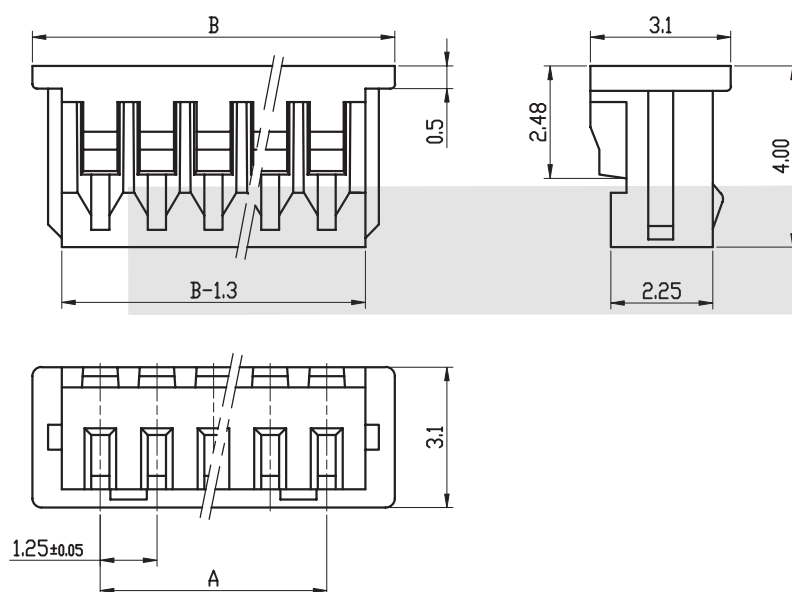
Rated Voltage: 50/250V AC.DC  
 Rated Current: 0.7A 2A  
 Contact Resistance: 0.02 Ohm max  
 Insulation Resistance: 1000M Ohm min  
 Withstand voltage: 800V AC/MIN  
 Temperature range for usage : -25°C~+85°C  
 P.C board thickness : 0.8~1.6mm

**Material:**

Housing: PA66 (PA66) UL94V-2  
 Contacts: Brass or Phosphor Bronze  
 Plating: Tin 50u" over 100u" nickel  
 Wire range : AWG#32~#22  
 Straight and Right Male pin Material: brass / tin-plated



### Housing



Poles	Dimensions mm	
	A	B
02	1.25	4.25
03	2.50	5.50
04	3.75	6.75
05	5.00	8.00
06	6.25	9.25
07	7.50	10.50
08	8.75	11.75
09	10.00	13.00
10	11.25	14.25
11	12.50	15.50
12	13.75	16.75
13	15.00	18.00
14	16.25	19.25
15	17.50	20.50
16	18.75	21.75

## ORDER INFORMATION

Product NO.: KLS1-XL1-1.25-02-H

Series No. \_\_\_\_\_ Type: H=Housing  
 Pitch: 1.25=1.25mm T=Terminal  
 PIN Number: 02 ~ 16Pin S=Straight Male pin  
 R=Right Male pin

**PCB Connector Series**

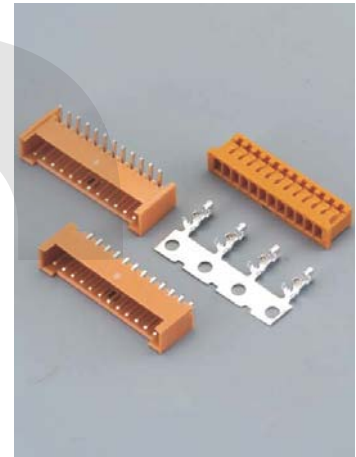
**KLS1-XL1-1.25 Pitch=1.25mm TYPE**

**Electrical Specification:**

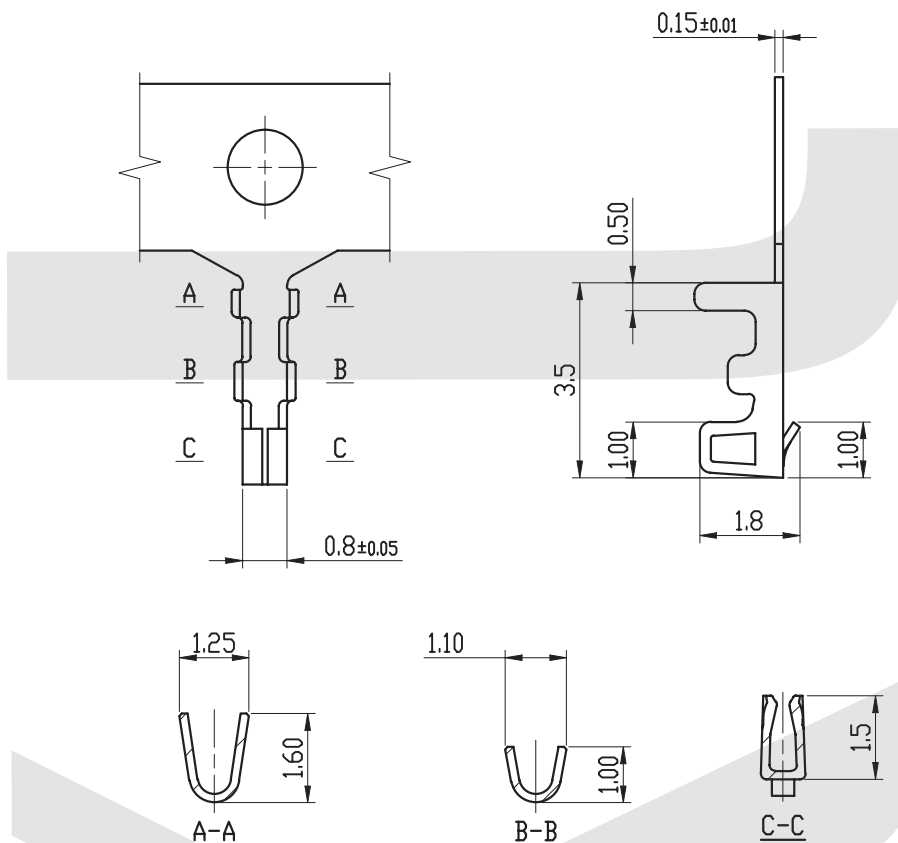
- Rated Voltage: 50/250V AC.DC
- Rated Current: 0.7A 2A
- Contact Resistance: 0.02 Ohm max
- Insulation Resistance: 1000M Ohm min
- Withstand voltage: 800V AC/MIN
- Temperature range for usage : -25°C~+85°C
- P.C board thickness : 0.8~1.6mm

**Material:**

- Terminal Material: Phosphor bronze Tin-plated
- Wire Range: AWG # 32 ~ # 28
- Plating: Tin 50u" over 100u" nickel



**Terminal**



**ORDER INFORMATION**

**Product NO.:** KLS1-XL1-1.25-T

Series No. \_\_\_\_\_ Type: H=Housing  
 Pitch: 1.25=1.25mm \_\_\_\_\_ T=Terminal  
 S=Straight Male pin  
 R=Right Male pin

**PCB Connector Series**

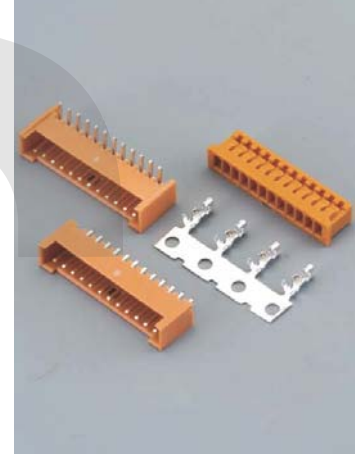
**KLS1-XL1-1.25 Pitch=1.25mm TYPE**

**Electrical Specification:**

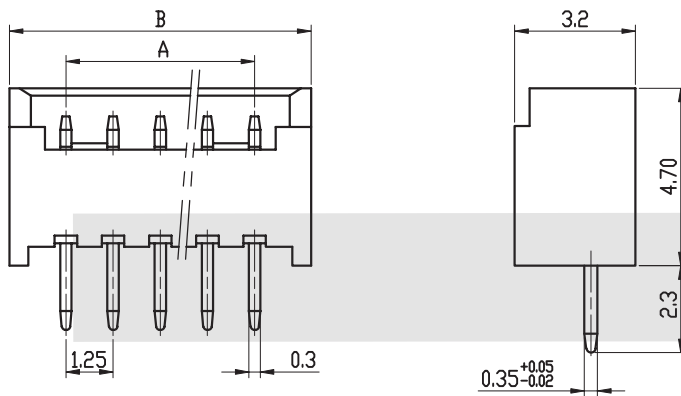
Rated Voltage: 50/250V AC.DC  
 Rated Current: 0.7A 2A  
 Contact Resistance: 0.02 Ohm max  
 Insulation Resistance: 1000M Ohm min  
 Withstand voltage: 800V AC/MIN  
 Temperature range for usage : -25°C~+85°C  
 P.C board thickness : 0.8~1.6mm

**Material:**

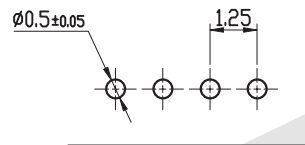
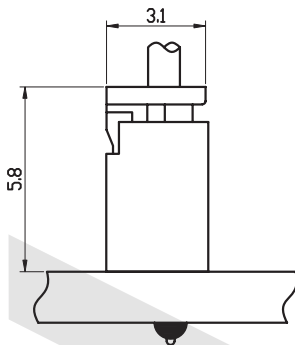
Housing: PA66 (PA66) UL94V-2  
 Contacts: Brass or Phosphor Bronze  
 Plating: Tin 50u" over 100u" nickel  
 Wire range : AWG#32~#22  
 Straight and Right Male pin Material: brass / tin-plated



**Straight Male Pin**



Poles	Dimensions mm	
	A	B
02	1.25	4.25
03	2.50	5.50
04	3.75	6.75
05	5.00	8.00
06	6.25	9.25
07	7.50	10.50
08	8.75	11.75
09	10.00	13.00
10	11.25	14.25
11	12.50	15.50
12	13.75	16.75
13	15.00	18.00
14	16.25	19.25
15	17.50	20.50
16	18.75	21.75



**P. C. B LAYOUT**

**ORDER INFORMATION**

**Product NO.: KLS1-XL1-1.25-02-S**

Series No. \_\_\_\_\_ Type: H=Housing  
 Pitch: 1.25=1.25mm T=Terminal  
 PIN Number: 02 ~ 16Pin S=Straight Male pin  
 R=Right Male pin

**PCB Connector Series**

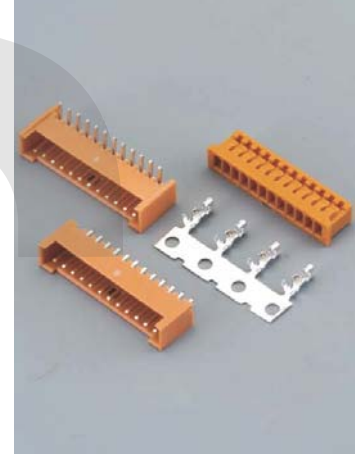
**KLS1-XL1-1.25 Pitch=1.25mm TYPE**

**Electrical Specification:**

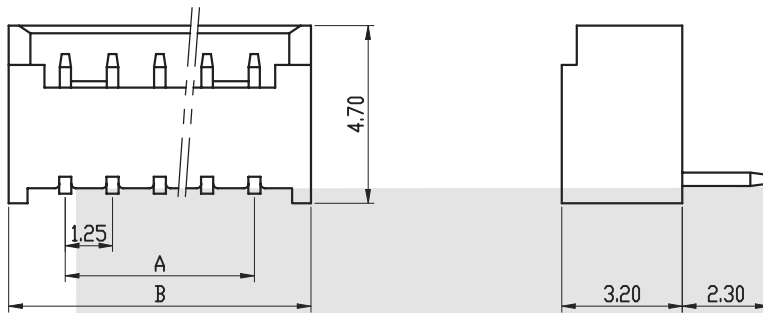
Rated Voltage: 50/250V AC.DC  
 Rated Current: 0.7A 2A  
 Contact Resistance: 0.02 Ohm max  
 Insulation Resistance: 1000M Ohm min  
 Withstand voltage: 800V AC/MIN  
 Temperature range for usage : -25°C~+85°C  
 P.C board thickness : 0.8~1.6mm

**Material:**

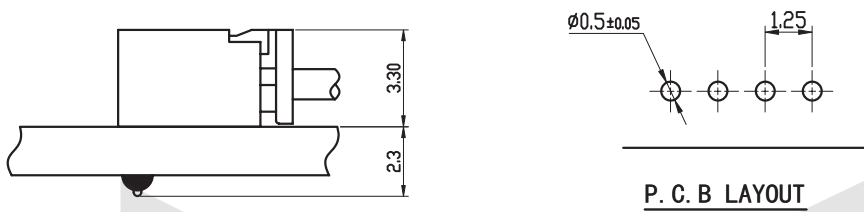
Housing: PA66 (PA66) UL94V-2  
 Contacts: Brass or Phosphor Bronze  
 Plating: Tin 50u" over 100u" nickel  
 Wire range : AWG#32~#22  
 Straight and Right Male pin Material: brass / tin-plated



**Right Male Pin**



Poles	Dimensions mm	
	A	B
02	1.25	4.25
03	2.50	5.50
04	3.75	6.75
05	5.00	8.00
06	6.25	9.25
07	7.50	10.50
08	8.75	11.75
09	10.00	13.00
10	11.25	14.25
11	12.50	15.50
12	13.75	16.75
13	15.00	18.00
14	16.25	19.25
15	17.50	20.50
16	18.75	21.75



**ORDER INFORMATION**

**Product NO.:** KLS1-XL1-1.25-02-R

Series No. \_\_\_\_\_ Type: H=Housing  
 Pitch: 1.25=1.25mm \_\_\_\_\_ T=Terminal  
 PIN Number: 02 ~ 16Pin \_\_\_\_\_ S=Straight Male pin  
 R=Right Male pin

**PCB Connector Series**

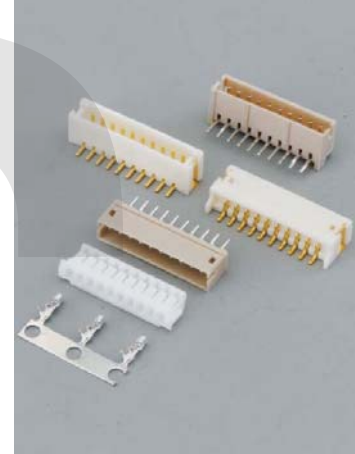
KLS1-XL1-1.50 Pitch=1.50mm TYPE

**Electrical Specification:**

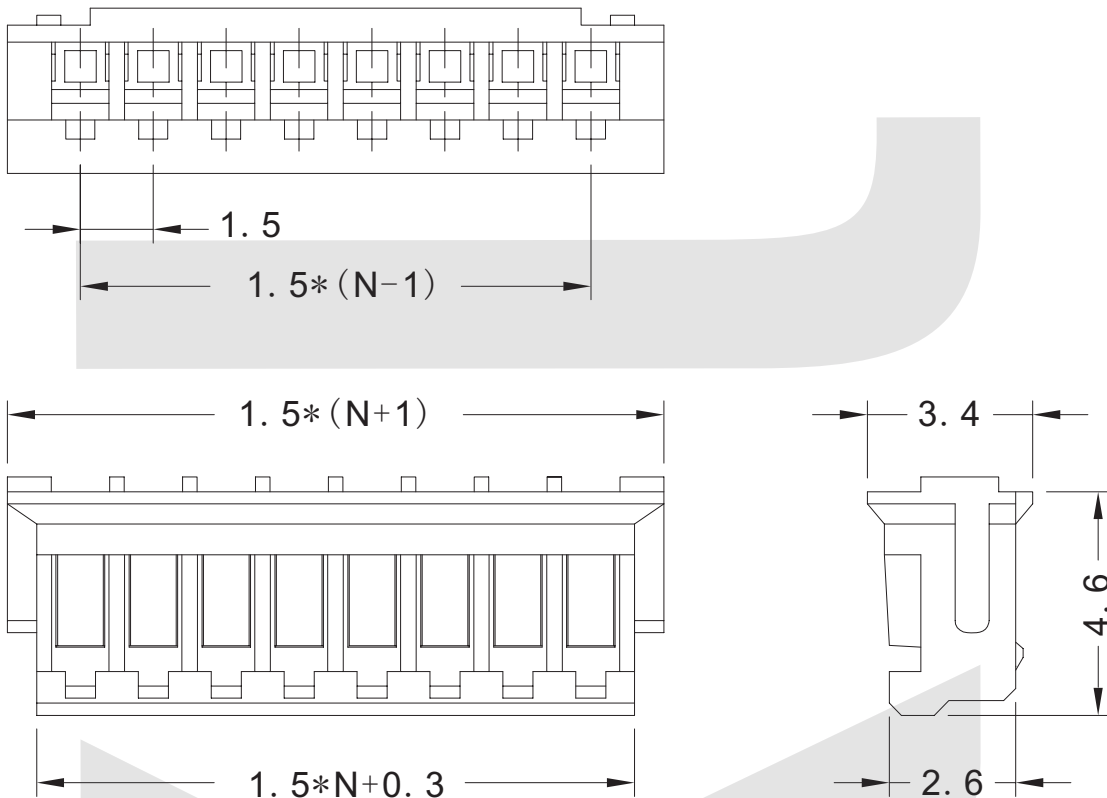
Rated Voltage: 50/250V AC,DC  
 Rated Current: 0.7A 2A  
 Contact Resistance: 0.02 Ohm max  
 Insulation Resistance: 1000M Ohm min  
 Withstand voltage: 800V AC/MIN  
 Temperature range for usage : -25°C~+85°C  
 P.C board thickness : 0.8~1.6mm

**Material:**

Housing: PA66 (PA66) UL94V-2  
 Contacts: Brass or Phosphor Bronze  
 Plating: Tin 50u" over 100u" nickel  
 Wire range : AWG#32~#22



**Housing**



**ORDER INFORMATION**

Product NO.: KLS1-XL1-1.50-02-H

Series No. \_\_\_\_\_ Type: H=Housing T=Terminal  
 Pitch: 1.50=1.50mm S=Straight Male pin  
 PIN Number: 02 ~ 20Pin R=Right Male pin  
 VM=Vertical SMT  
 RM=Horizontal SMT

**PCB Connector Series**

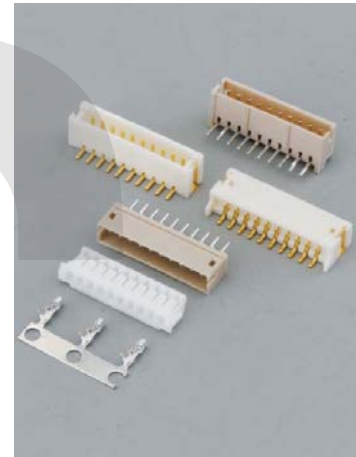
KLS1-XL1-1.50 Pitch=1.50mm TYPE

**Electrical Specification:**

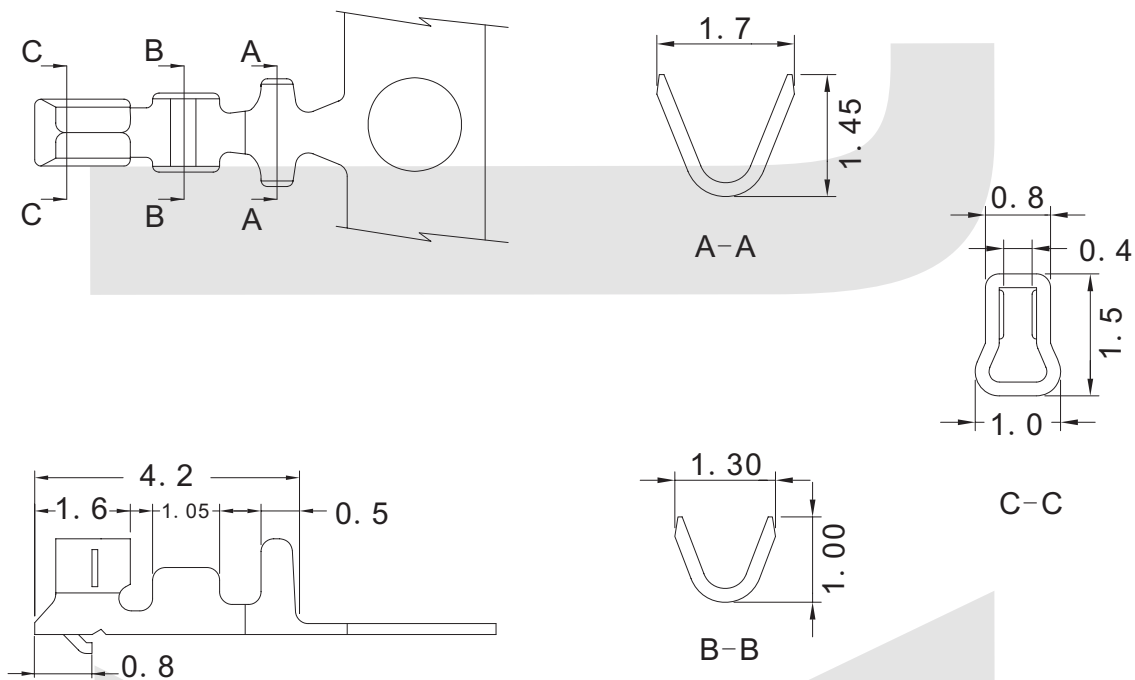
Rated Voltage: 50/250V AC,DC  
 Rated Current: 0.7A 2A  
 Contact Resistance: 0.02 Ohm max  
 Insulation Resistance: 1000M Ohm min  
 Withstand voltage: 800V AC/MIN  
 Temperature range for usage : -25°C~+85°C  
 P.C board thickness : 0.8~1.6mm

**Material:**

Housing: PA66 (PA66) UL94V-2  
 Contacts: Brass or Phosphor Bronze  
 Plating: Tin 50u" over 100u" nickel  
 Wire range : AWG#32~#22



**Terminal**



**ORDER INFORMATION**

Product NO.: KLS1-XL1-1.50-T

Series No. \_\_\_\_\_ Type: H=Housing T=Terminal  
 Pitch: 1.50=1.50mm \_\_\_\_\_ S=Straight Male pin  
 R=Right Male pin  
 VM=Vertical SMT  
 RM=Horizontal SMT

**PCB Connector Series**

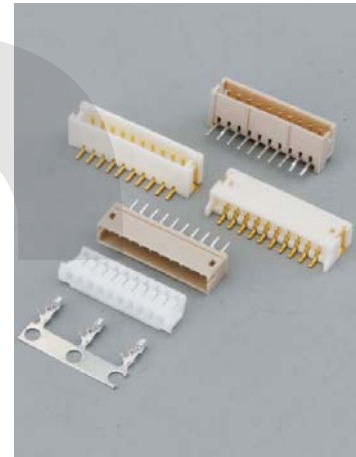
KLS1-XL1-1.50 Pitch=1.50mm TYPE

**Electrical Specification:**

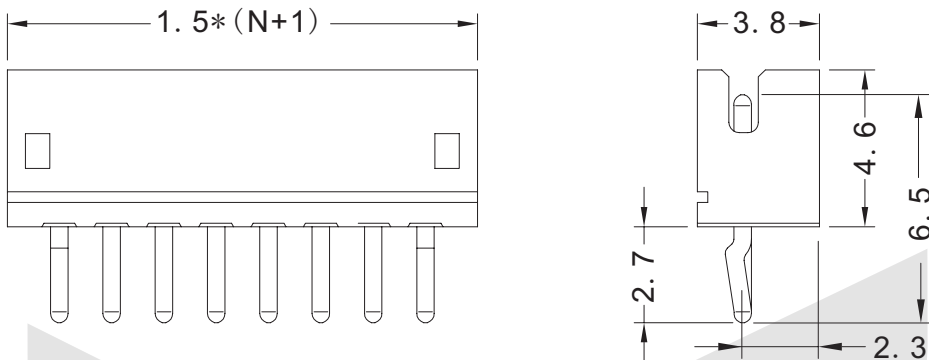
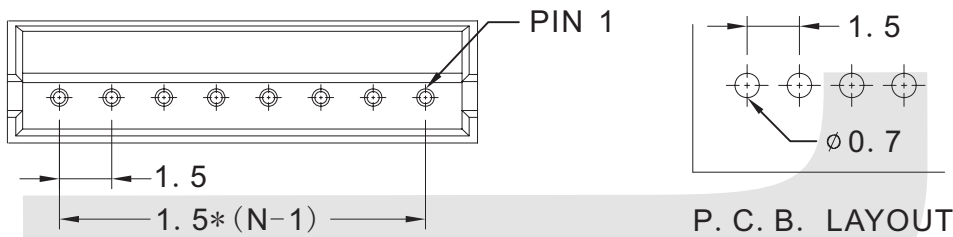
- Rated Voltage: 50/250V AC/DC
- Rated Current: 0.7A 2A
- Contact Resistance: 0.02 Ohm max
- Insulation Resistance: 1000M Ohm min
- Withstand voltage: 800V AC/MIN
- Temperature range for usage : -25°C~+85°C
- P.C board thickness : 0.8~1.6mm

**Material:**

- Housing: PA66 (PA66) UL94V-2
- Contacts: Brass or Phosphor Bronze
- Plating: Tin 50u" over 100u" nickel
- Wire range : AWG#32~#22



**Straight Male Pin**



**ORDER INFORMATION**

Product NO.: KLS1-XL1-1.50-02-S

- Series No. \_\_\_\_\_
- Pitch: 1.50=1.50mm \_\_\_\_\_
- PIN Number: 02 ~ 20Pin \_\_\_\_\_
- Type:H=Housing T=Terminal
- S=Straight Male pin
- R=Right Male pin
- VM=Vertical SMT
- RM=Horizontal SMT

**PCB Connector Series**

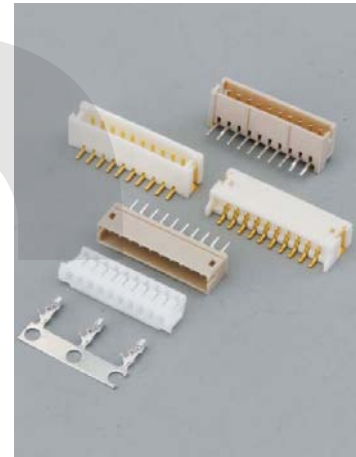
KLS1-XL1-1.50 Pitch=1.50mm TYPE

**Electrical Specification:**

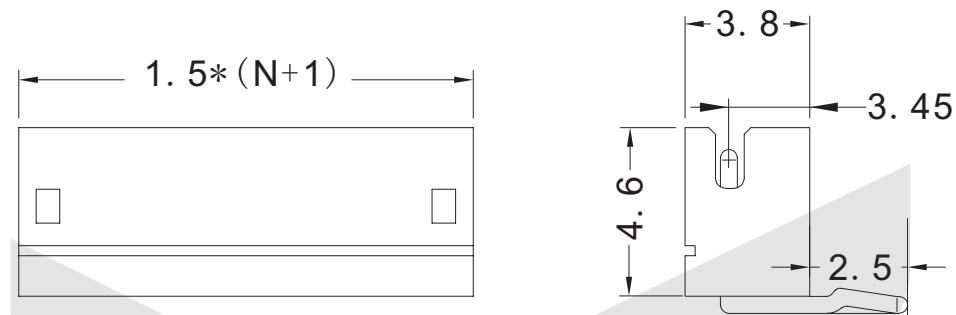
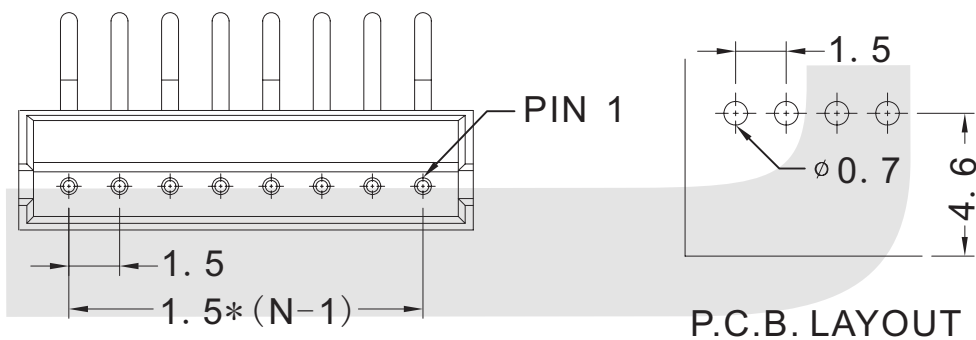
Rated Voltage: 50/250V AC,DC  
 Rated Current: 0.7A 2A  
 Contact Resistance: 0.02 Ohm max  
 Insulation Resistance: 1000M Ohm min  
 Withstand voltage: 800V AC/MIN  
 Temperature range for usage : -25°C~+85°C  
 P.C board thickness : 0.8~1.6mm

**Material:**

Housing: PA66 (PA66) UL94V-2  
 Contacts: Brass or Phosphor Bronze  
 Plating: Tin 50u" over 100u" nickel  
 Wire range : AWG#32~#22



**Right Male Pin**



**ORDER INFORMATION**

Product NO.: KLS1-XL1-1.50-02-R

Series No. \_\_\_\_\_  
 Pitch: 1.50=1.50mm \_\_\_\_\_  
 PIN Number: 02 ~ 20Pin \_\_\_\_\_

Type:H=Housing T=Terminal  
 S=Straight Male pin  
 R=Right Male pin  
 VM=Vertical SMT  
 RM=Horizontal SMT



**PCB Connector Series**

KLS1-XL1-1.50 Pitch=1.50mm TYPE

**Electrical Specification:**

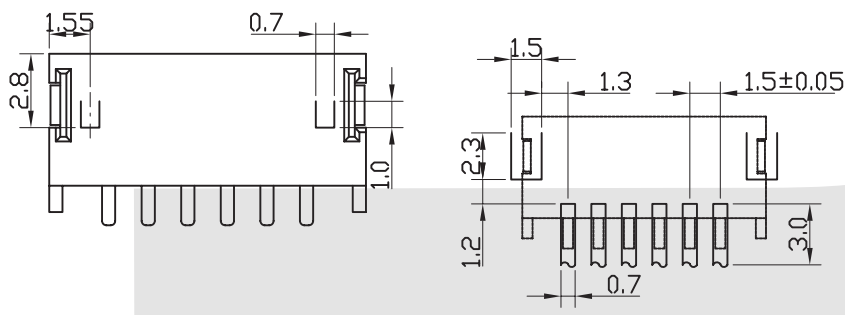
Rated Voltage: 50/250V AC/DC  
 Rated Current: 0.7A 2A  
 Contact Resistance: 0.02 Ohm max  
 Insulation Resistance: 1000M Ohm min  
 Withstand voltage: 800V AC/MIN  
 Temperature range for usage : -25°C~+85°C  
 P.C board thickness : 0.8~1.6mm

**Material:**

Housing: PA66 (PA66) UL94V-2  
 Contacts: Brass or Phosphor Bronze  
 Plating: Tin 50u" over 100u" nickel  
 Wire range : AWG#32~#22



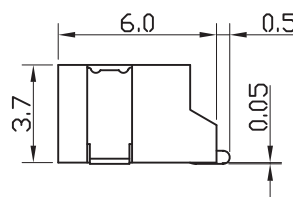
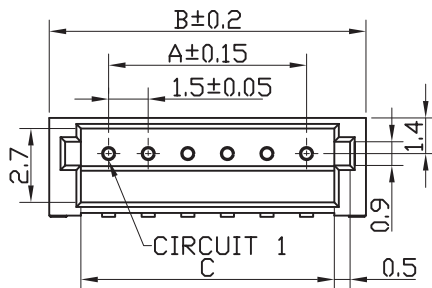
**Horizontal SMT**



P.C.B LAYUUT

**Dimensional**

Poles	DIM: (mm)		
	A	B	C
02	1.50	6.00	3.60
03	3.00	7.50	5.10
04	4.50	9.00	6.60
05	6.00	10.50	8.10
06	7.50	12.00	9.60
07	9.00	13.50	11.10
08	10.50	15.00	12.60
09	12.00	16.50	14.10
10	13.50	18.00	15.60
11	15.00	19.50	17.10
12	16.50	21.00	18.60
13	18.00	22.50	20.10



**ORDER INFORMATION**

Product NO.: KLS1-XL1-1.50-02-RM

Series No. \_\_\_\_\_ Type:H=Housing T=Terminal  
 Pitch: 1.50=1.50mm S=Straight Male pin  
 PIN Number: 02 ~ 13Pin R=Right Male pin  
 VM=Vertical SMT  
 RM=Horizontal SMT

**PCB Connector Series**

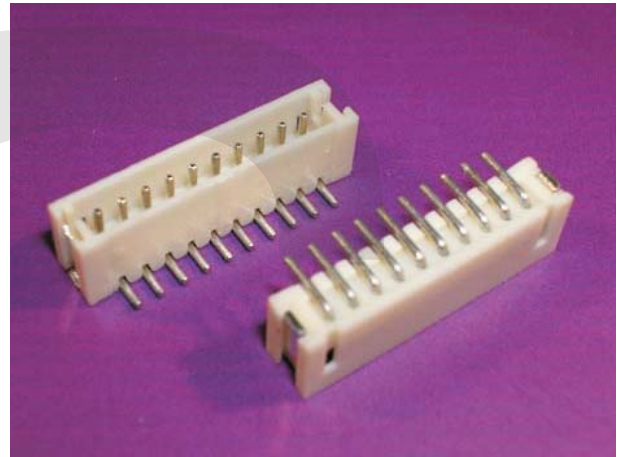
KLS1-XL1-1.50 Pitch=1.50mm TYPE

**Electrical Specification:**

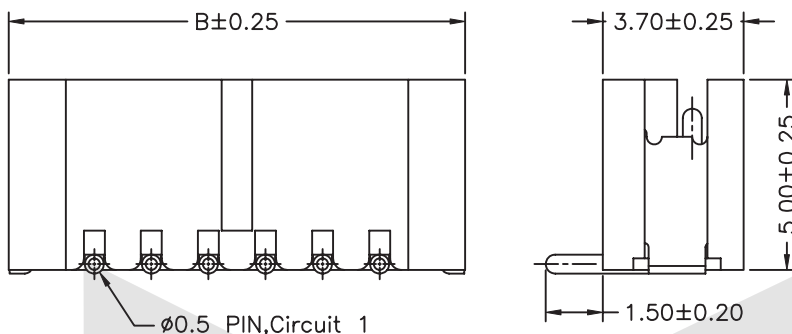
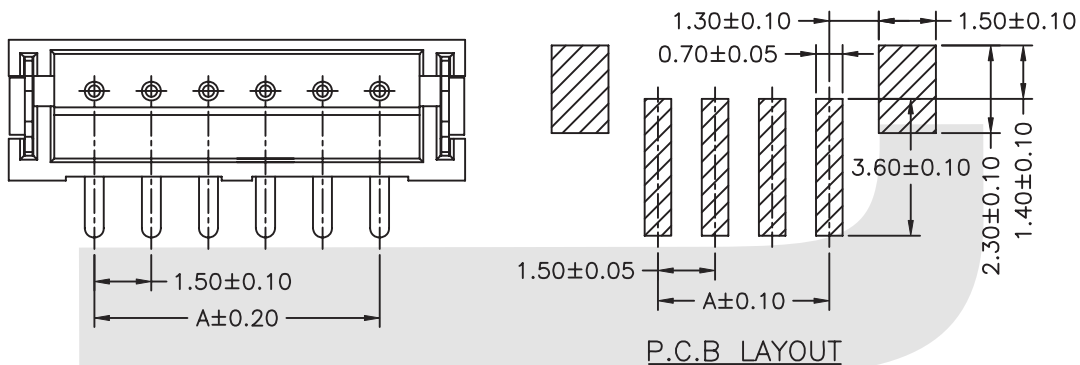
Rated Voltage: 50/250V AC/DC  
 Rated Current: 0.7A 2A  
 Contact Resistance: 0.02 Ohm max  
 Insulation Resistance: 1000M Ohm min  
 Withstand voltage: 800V AC/MIN  
 Temperature range for usage : -25°C~+85°C  
 P.C board thickness : 0.8~1.6mm

**Material:**

Housing: PA66 (PA66) UL94V-2  
 Contacts: Brass or Phosphor Bronze  
 Plating: Tin 50u" over 100u" nickel  
 Wire range : AWG#32~#22



**Vertical SMT**



Poles	Dimensions	
	A	B
02	1.50	6.00
03	3.00	7.50
04	4.50	9.00
05	6.00	10.50
06	7.50	12.00
07	9.00	13.50
08	10.50	15.00
09	12.00	16.50
10	13.50	18.00
11	15.00	19.50
12	16.50	21.00
13	18.00	22.50

**ORDER INFORMATION**

Product NO.: KLS1-XL1-1.50-02-VM

Series No. \_\_\_\_\_ Type:H=Housing T=Terminal  
 Pitch: 1.50=1.50mm S=Straight Male pin  
 PIN Number: 02 ~ 13Pin R=Right Male pin  
 VM=Vertical SMT  
 RM=Horizontal SMT

**PCB Connector Series**

KLS1-540B Pitch=2.0mm TYPE

**Electrical Specification:**

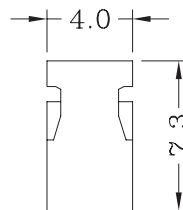
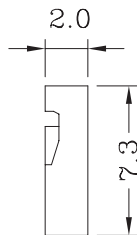
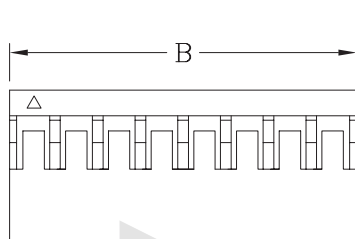
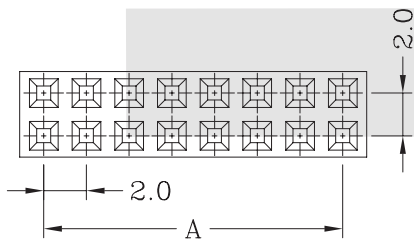
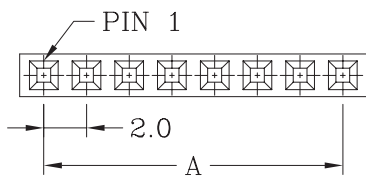
Current Rating: 2 AMP  
 Insulator Resistance: 1000M Ohm min. at DC 500V  
 Contact Resistance: 20m Ohm max. at DC 100mA  
 Withstand voltage: 1000V AC/min  
 Operating Temperature: -55°C~+105°C

**Material:**

Housing: Nylon 66 UL94V-0  
 Contacts: Phosphor Bronze  
 Plating: Tin 50u" over 100u" nickel



Housing 540B



Part No	Dimensions		Part No	Dimensions	
	A	B		A	B
1x2P	2.00	4.25	2x2P	2.00	4.25
1x3P	4.00	6.25	2x3P	4.00	6.25
1x4P	6.00	8.25	2x4P	6.00	8.25
1x5P	8.00	10.25	2x5P	8.00	10.25
1x6P	10.00	12.25	2x6P	10.00	12.25
1x7P	12.00	14.25	2x7P	12.00	14.25
1x8P	14.00	16.25	2x8P	14.00	16.25
1x9P	16.00	18.25	2x9P	16.00	18.25
1x10P	18.00	20.25	2x10P	18.00	20.25
1x11P	20.00	22.25	2x11P	20.00	22.25
1x12P	22.00	24.25	2x12P	22.00	24.25
1x13P	24.00	26.25	2x13P	24.00	26.25
1x14P	26.00	28.25	2x14P	26.00	28.25
1x15P	28.00	30.25	2x15P	28.00	30.25
1x16P	30.00	32.25	2x16P	30.00	32.25
1x17P	32.00	34.25	2x17P	32.00	34.25
1x18P	34.00	36.25	2x18P	34.00	36.25
1x19P	36.00	38.25	2x19P	36.00	38.25
1x20P	38.00	40.25	2x20P	38.00	40.25
1x21P	40.00	42.25	2x21P	40.00	42.25
1x22P	42.00	44.25	2x22P	42.00	44.25
1x23P	44.00	46.25	2x23P	44.00	46.25
1x24P	46.00	48.25	2x24P	46.00	48.25
1x25P	48.00	50.25	2x25P	48.00	50.25
1x26P	50.00	52.25			
1x27P	52.00	54.25			
1x28P	54.00	56.25			
1x29P	56.00	58.25			
1x30P	58.00	60.25			
1x31P	60.00	62.25			
1x32P	62.00	64.25			
1x33P	64.00	66.25			
1x34P	66.00	68.25			
1x35P	68.00	70.25			
1x36P	70.00	72.25			
1x37P	72.00	74.25			
1x38P	74.00	76.25			
1x39P	76.00	78.25			
1x40P	78.00	80.25			

**ORDER INFORMATION**

Product NO.: KLS1-540 B-1X02-H

Series No. \_\_\_\_\_ Type: H-Housing T-Terminal  
 Pitch: A=2.54mm PIN Number:02 ~ 25Pin  
 B=2.00mm Pins: 1-Single layer  
 2-Double layer

**PCB Connector Series**

KLS1-540B Pitch=2.0mm TYPE

**Electrical Specification:**

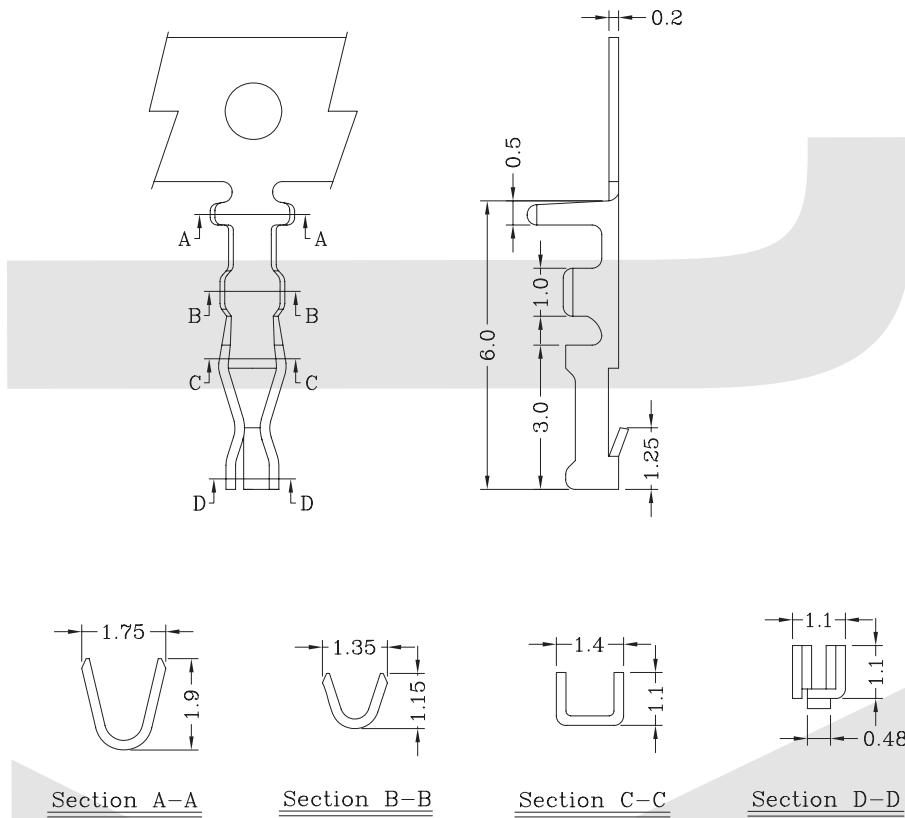
Current Rating: 2 AMP  
 Insulator Resistance: 1000M Ohm min. at DC 500V  
 Contact Resistance: 20m Ohm max. at DC 100mA  
 Withstand voltage: 1000V AC/min  
 Operating Temperature: -55°C~+105°C

**Material:**

Housing: Nylon 66 UL94V-0  
 Contacts: Phosphor Bronze  
 Plating: Tin 50u" over 100u" nickel



Terminal 540B



**ORDER INFORMATION**

Product NO.: KLS1-540 B -T

Series No. \_\_\_\_\_ Type: H-Housing  
 Pitch: A=2.54mm T-Terminal  
 B=2.00mm

**PCB Connector Series**

KLS1-XL1-2.00 Pitch=2.00mm TYPE

**Electrical Specification:**

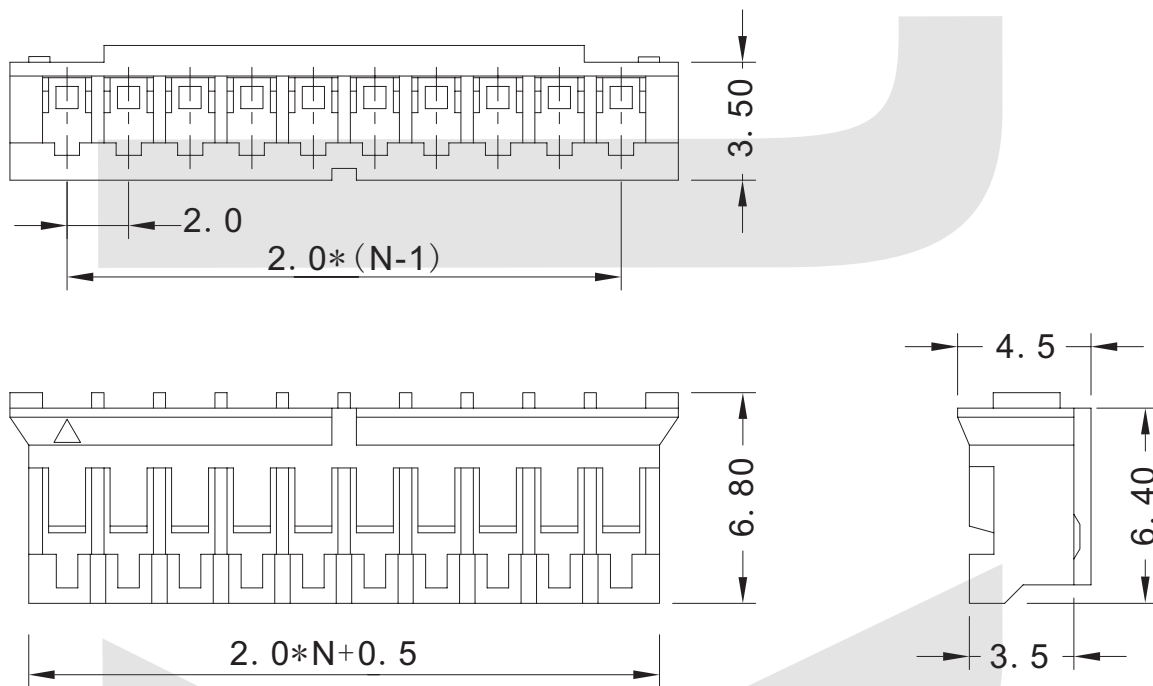
Rated Voltage: 50/250V AC.DC  
 Rated Current: 2A  
 Contact Resistance: 0.02 Ohm max  
 Insulation Resistance: 1000M Ohm min  
 Withstand voltage: 800V AC/MIN  
 Temperature range for usage : -40°C~+105°C  
 P.C board thickness : 0.8~1.6mm

**Material:**

Housing: PA66 UL94V-2  
 Contacts: Phosphor Bronze  
 Plating: Tin 50u" over 100u" nickel  
 Wire range : AWG#32~#22



**Housing**



**ORDER INFORMATION**

Product NO.: KLS1-XL1-2.00-02-H

Series No. \_\_\_\_\_  
 Pitch: 2.00=2.00mm \_\_\_\_\_  
 PIN Number: 2~30pin \_\_\_\_\_

Type: H=Housing  
 S= Straight Male pin  
 VM = Vertical SMT

T=Terminal  
 R=Right Male pin  
 RM = Horizontal SMT

**PCB Connector Series**

KLS1-XL1-2.00 Pitch=2.00mm TYPE

**Electrical Specification:**

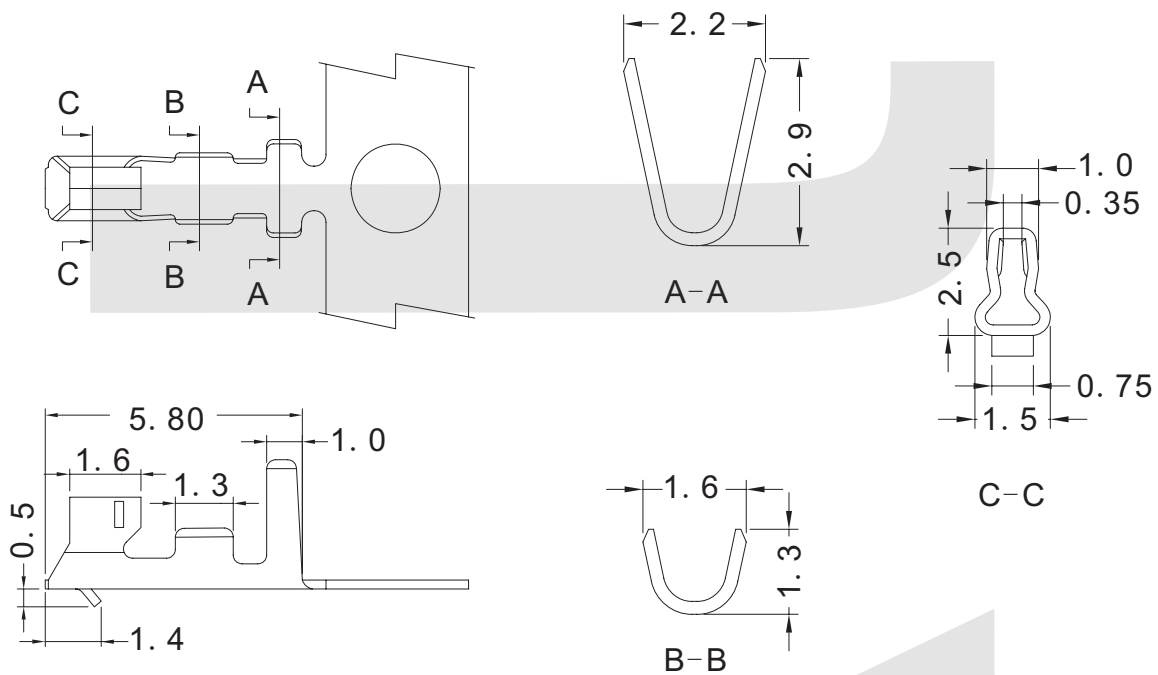
Rated Voltage: 50/250V AC.DC  
 Rated Current: 2A  
 Contact Resistance: 0.02 Ohm max  
 Insulation Resistance: 1000M Ohm min  
 Withstand voltage: 800V AC/MIN  
 Temperature range for usage : -40°C~+105°C  
 P.C board thickness : 0.8~1.6mm

**Material:**

Contacts: Phosphor Bronze  
 Plating: Tin 50u" over 100u" nickel  
 Wire range : AWG#32~#22



**Terminal**



**ORDER INFORMATION**

Product NO.: KLS1-XL1-2.00-T

Series No. \_\_\_\_\_ Type: H=Housing T=Terminal  
 Pitch: 2.00=2.00mm \_\_\_\_\_ S= Straight Male pin R=Right Male pin  
 VM = Vertical SMT RM = Horizontal SMT

**PCB Connector Series**

KLS1-XL1-2.00 Pitch=2.00mm TYPE

**Electrical Specification:**

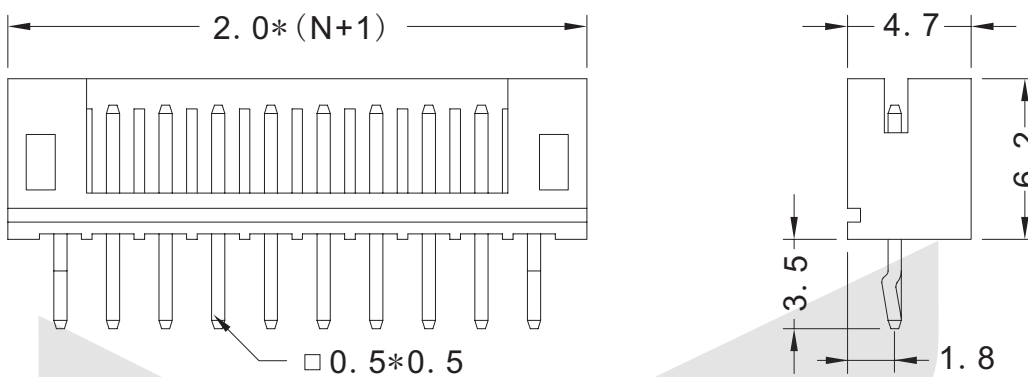
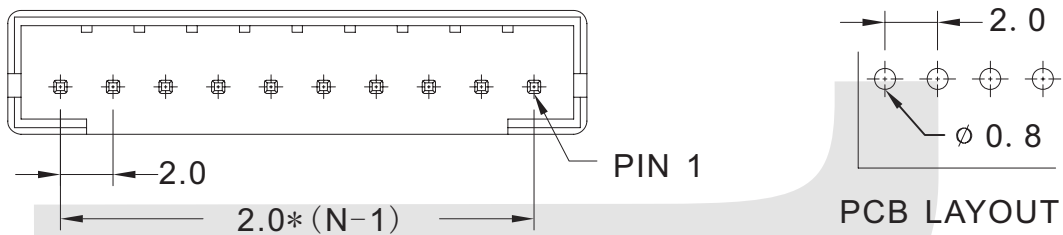
Rated Voltage: 50/250V AC.DC  
 Rated Current: 2A  
 Contact Resistance: 0.02 Ohm max  
 Insulation Resistance: 1000M Ohm min  
 Withstand voltage: 800V AC/MIN  
 Temperature range for usage : -40°C~+105°C  
 P.C board thickness : 0.8~1.6mm

**Material:**

Housing: PA66 UL94V-2  
 Contacts: Brass  
 Plating: Tin 50u" over 100u" nickel



**Straight Male Pin**



**ORDER INFORMATION**

Product NO.: KLS1-XL1-2.00-02-S

Series No. \_\_\_\_\_ Type: H=Housing T=Terminal  
 Pitch: 2.00=2.00mm S=Straight Male pin R=Right Male pin  
 PIN Number: 2~30pin VM = Vertical SMT RM = Horizontal SMT

**PCB Connector Series**

KLS1-XL1-2.00 Pitch=2.00mm TYPE

**Electrical Specification:**

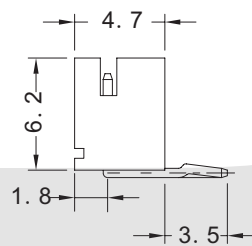
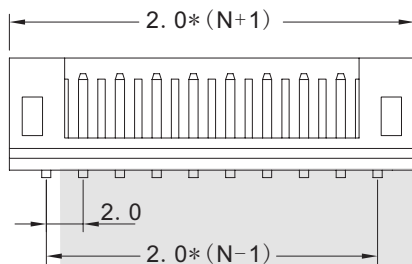
- Rated Voltage: 50/250V AC.DC
- Rated Current: 2A
- Contact Resistance: 0.02 Ohm max
- Insulation Resistance: 1000M Ohm min
- Withstand voltage: 800V AC/MIN
- Temperature range for usage : -40°C~+105°C
- P.C board thickness : 0.8~1.6mm

**Material:**

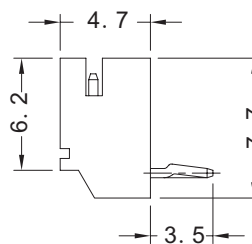
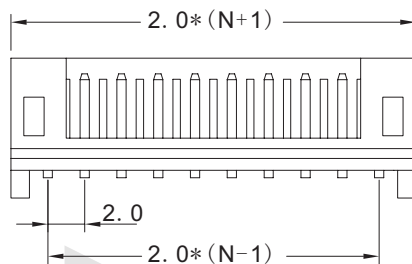
- Housing: PA66 UL94V-2
- Contacts: Brass
- Plating: Tin 50u" over 100u" nickel



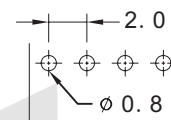
**Right Male Pin**



R1 type



R type



PCB LAYOUT

**ORDER INFORMATION**

Product NO.: KLS1-XL1-2.00-02-R

Series No. \_\_\_\_\_  
Pitch: 2.00=2.00mm \_\_\_\_\_  
PIN Number: 2~30pin \_\_\_\_\_

Type: H=Housing  
S=Straight Male pin  
VM = Vertical SMT

T=Terminal  
R=Right Male pin  
RM = Horizontal SMT



**PCB Connector Series**

KLS1-XL1-2.00 Pitch=2.00mm TYPE

**Electrical Specification:**

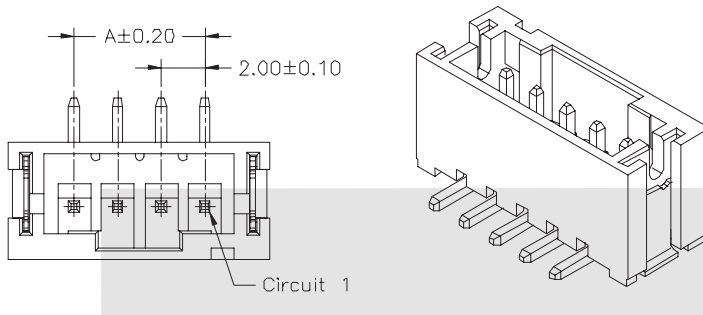
Rated Voltage: 50/250V AC.DC  
 Rated Current: 2A  
 Contact Resistance: 0.02 Ohm max  
 Insulation Resistance: 1000M Ohm min  
 Withstand voltage: 800V AC/MIN  
 Temperature range for usage : -40°C~+105°C  
 P.C board thickness : 0.8~1.6mm

**Material:**

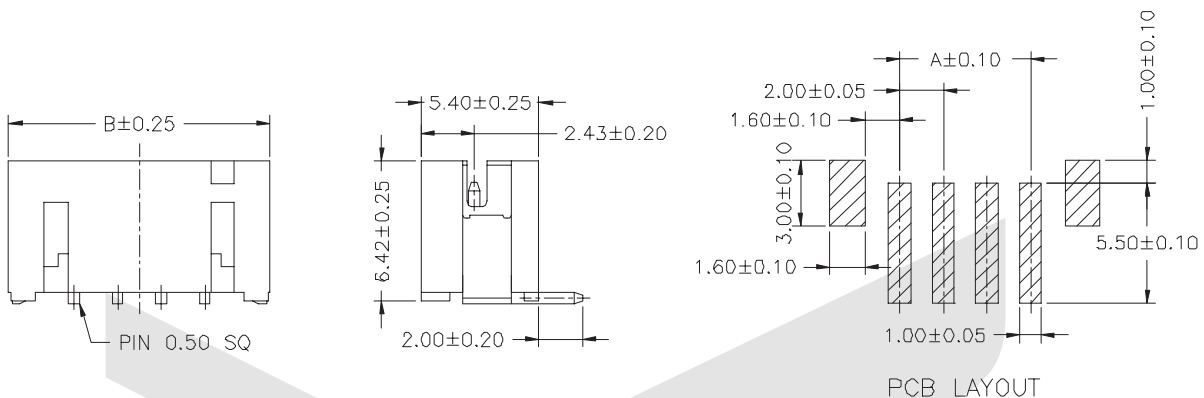
Housing: PA66 UL94V-2  
 Contacts: Brass  
 Plating: Tin 50u" over 100u" nickel



**Vertical SMT**



PART NO.	Dimensions	
	A	B
02	2.00	8.00
03	4.00	10.00
04	6.00	12.00
05	8.00	14.00
06	10.00	16.00
07	12.00	18.00
08	14.00	20.00
09	16.00	22.00
10	18.00	24.00
11	20.00	26.00
12	22.00	28.00
13	24.00	30.00
14	26.00	32.00
15	28.00	34.00
16	30.00	36.00



**ORDER INFORMATION**

Product NO.: KLS1-XL1-2.00-02-VM

Series No. \_\_\_\_\_ Type: H=Housing T=Terminal  
 Pitch: 2.00=2.00mm S=Straight Male pin R=Right Male pin  
 PIN Number: 2~16pin VM = Vertical SMT RM = Horizontal SMT

**PCB Connector Series**

KLS1-XL1-2.00 Pitch=2.00mm TYPE

**Electrical Specification:**

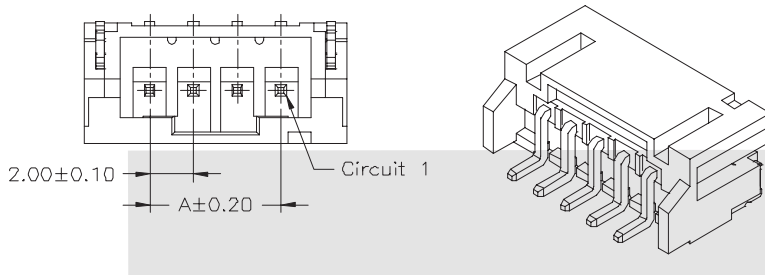
Rated Voltage: 50/250V AC.DC  
 Rated Current: 2A  
 Contact Resistance: 0.02 Ohm max  
 Insulation Resistance: 1000M Ohm min  
 Withstand voltage: 800V AC/MIN  
 Temperature range for usage : -40°C~+105°C  
 P.C board thickness : 0.8~1.6mm

**Material:**

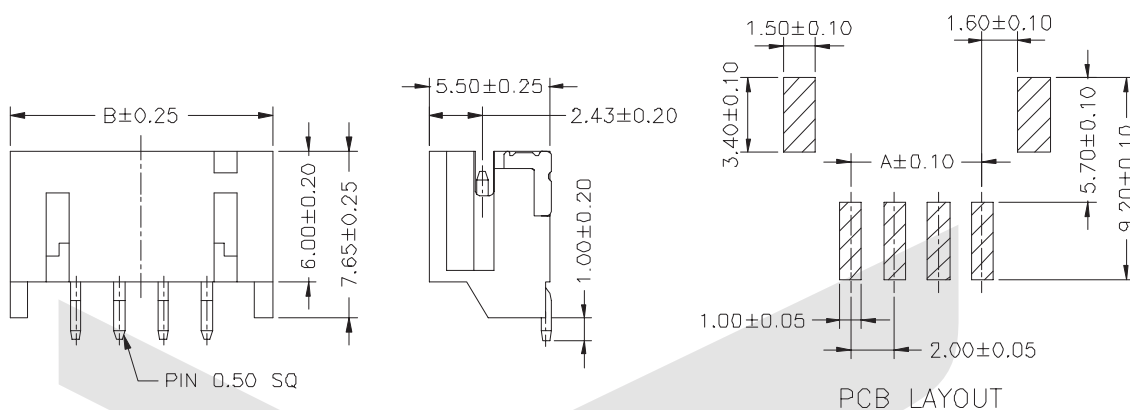
Housing: PA66 UL94V-2  
 Contacts: Brass  
 Plating: Tin 50u" over 100u" nickel



**Horizontal SMT**



PART NO.	Dimensions	
	A	B
02	2.00	8.00
03	4.00	10.00
04	6.00	12.00
05	8.00	14.00
06	10.00	16.00
07	12.00	18.00
08	14.00	20.00
09	16.00	22.00
10	18.00	24.00
11	20.00	26.00
12	22.00	28.00
13	24.00	30.00
14	26.00	32.00
15	28.00	34.00
16	30.00	36.00



**ORDER INFORMATION**

Product NO.: KLS1-XL1-2.00-02-RM

Series No. \_\_\_\_\_ Type: H=Housing T=Terminal  
 Pitch: 2.00=2.00mm S=Straight Male pin R=Right Male pin  
 PIN Number: 2~16pin VM = Vertical SMT RM = Horizontal SMT

# PCB Connector

## PCB Connector Series

KLS1-XA1-2.00 Pitch=2.00mm TYPE

### Electrical Specification:

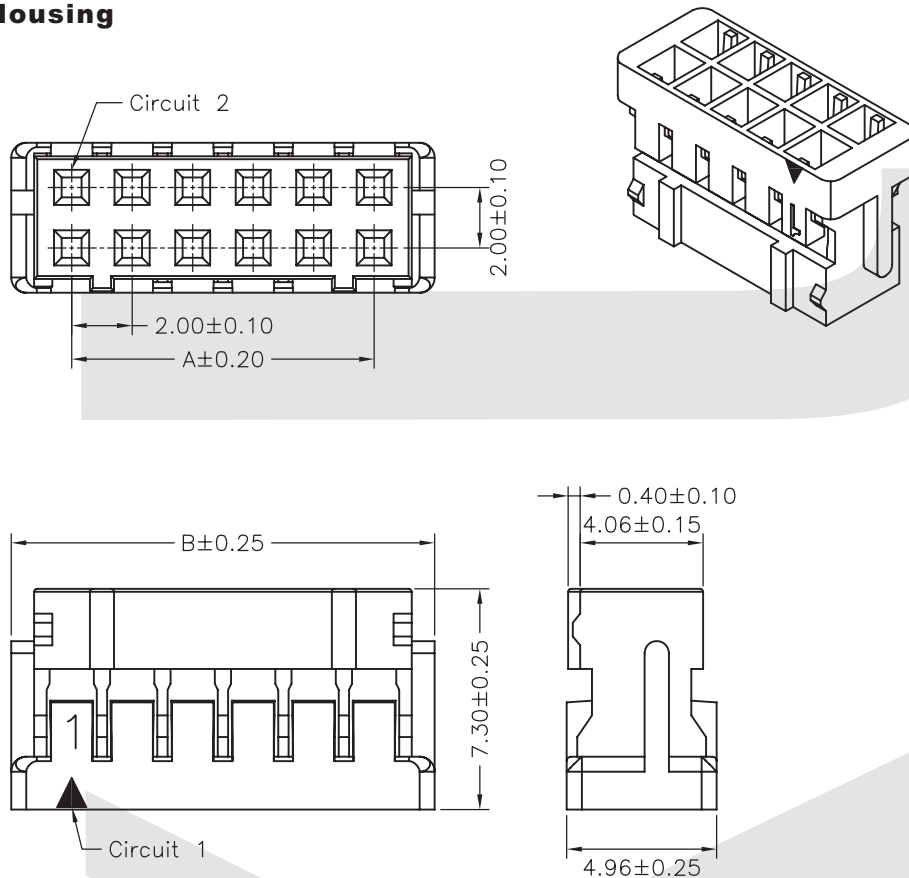
Rated Voltage: 250V AC/DC  
 Rated Current: 3A  
 Contact Resistance: 0.02 Ohm max  
 Insulation Resistance: 1000M Ohm min  
 Withstand voltage: 1000V AC/MIN  
 Temperature range for usage : -40°C~+105°C  
 P.C board thickness : 0.8~1.6mm

### Material:

Housing: PA66 UL94V-2  
 Contacts: Phosphor Bronze  
 Plating: Tin 50u" over 100u" nickel  
 Wire range : AWG#30~#22



### Housing



PART NO.	Dimensions	
	A	B
04	2.00	6.00
06	4.00	8.00
08	6.00	10.00
10	8.00	12.00
12	10.00	14.00
14	12.00	16.00
16	14.00	18.00
18	16.00	20.00
20	18.00	22.00
22	20.00	24.00
24	22.00	26.00
26	24.00	28.00
28	26.00	30.00
30	28.00	32.00
32	30.00	34.00
34	32.00	36.00
36	34.00	38.00
38	36.00	40.00
40	38.00	42.00

## ORDER INFORMATION

Product NO.: KLS1-XA1-2.00-XX-H

Series No. \_\_\_\_\_ Type: H=Housing T=Terminal  
 Pitch: 2.00=2.00mm S=Straight Male pin R=Right Male pin  
 PIN Number: 4 ~ 40Pin

## PCB Connector Series

KLS1-XA1-2.00 Pitch=2.00mm TYPE

### Electrical Specification:

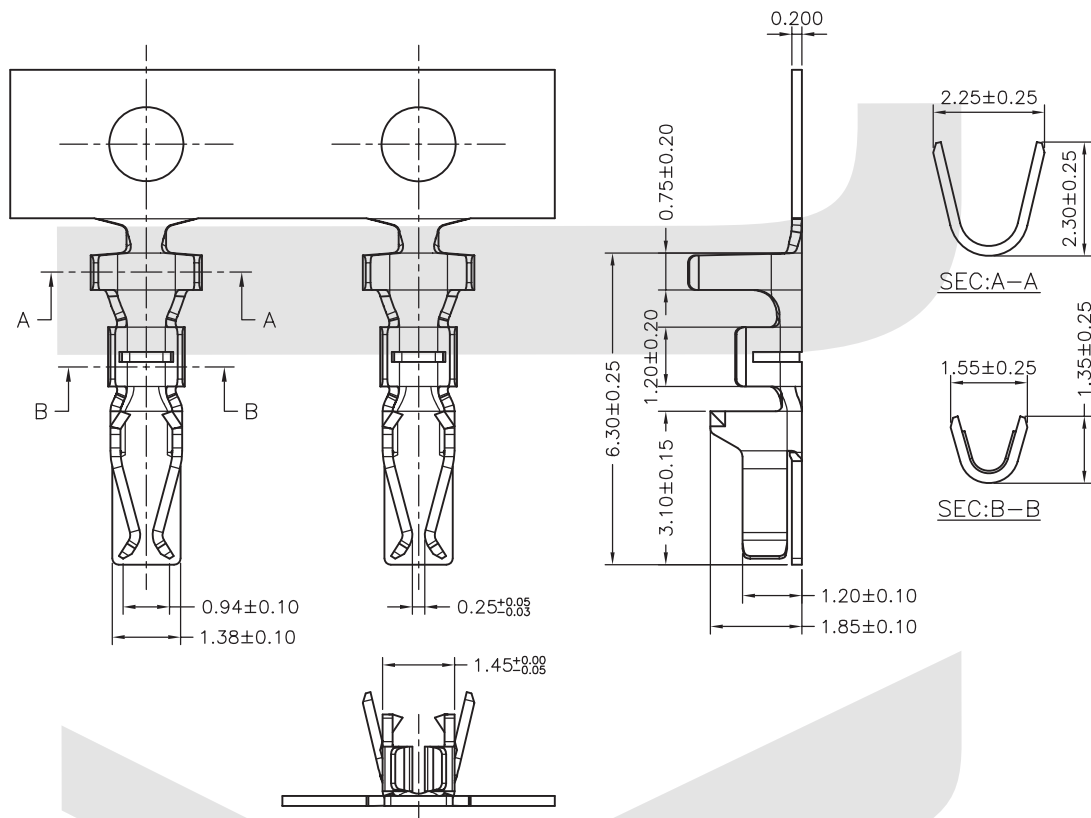
Rated Voltage: 250V AC/DC  
 Rated Current: 3A  
 Contact Resistance: 0.02 Ohm max  
 Insulation Resistance: 1000M Ohm min  
 Withstand voltage: 1000V AC/MIN  
 Temperature range for usage : -40°C~+105°C  
 P.C board thickness : 0.8~1.6mm

### Material:

Contacts: Phosphor Bronze  
 Plating: Tin 50u" over 100u" nickel  
 Wire range : AWG#30~#22



### Terminal



## ORDER INFORMATION

Product NO.: KLS1-XA1-2.00-T

Series No. \_\_\_\_\_  
 Pitch: 2.00=2.00mm

Type: H=Housing      T=Terminal  
 S=Straight Male pin      R=Right Male pin

## PCB Connector Series

KLS1-XA1-2.00 Pitch=2.00mm TYPE

### Electrical Specification:

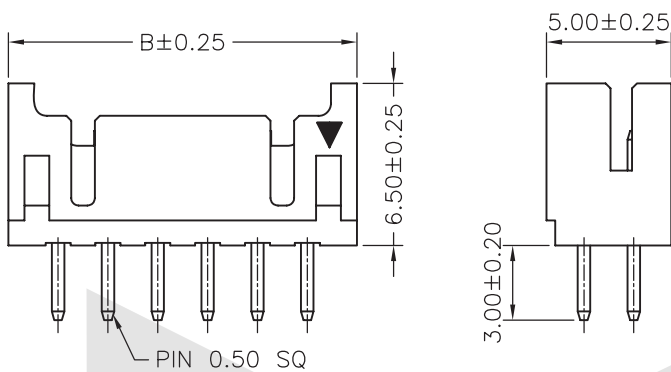
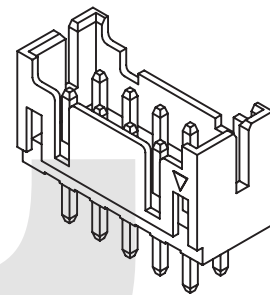
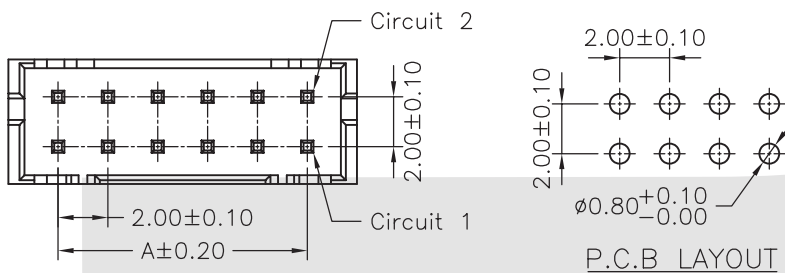
- Rated Voltage: 250V AC.DC
- Rated Current: 3A
- Contact Resistance: 0.02 Ohm max
- Insulation Resistance: 1000M Ohm min
- Withstand voltage: 1000V AC/MIN
- Temperature range for usage : -40°C~+105°C
- P.C board thickness : 0.8~1.6mm

### Material:

- Housing: PA66 UL94V-2
- Contacts: Brass
- Plating: Tin 50u" over 100u" nickel
- Wire range : AWG#30~#22



### Straight Male pin



PART NO.	Dimensions	
	A	B
04	2.00	6.00
06	4.00	8.00
08	6.00	10.00
10	8.00	12.00
12	10.00	14.00
14	12.00	16.00
16	14.00	18.00
18	16.00	20.00
20	18.00	22.00
22	20.00	24.00
24	22.00	26.00
26	24.00	28.00
28	26.00	30.00
30	28.00	32.00
32	30.00	34.00
34	32.00	36.00
36	34.00	38.00
38	36.00	40.00
40	38.00	42.00

## ORDER INFORMATION

Product NO.: KLS1-XA1-2.00-XX-S

Series No. \_\_\_\_\_ Type: H=Housing T=Terminal  
 Pitch: 2.00=2.00mm S=Straight Male pin R=Right Male pin  
 PIN Number: 2 ~ 20Pin

## PCB Connector Series

KLS1-XA1-2.00 Pitch=2.00mm TYPE

### Electrical Specification:

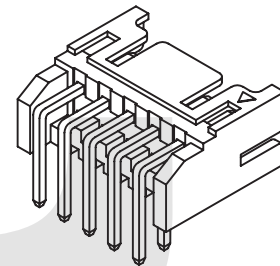
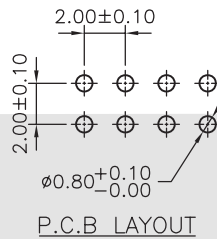
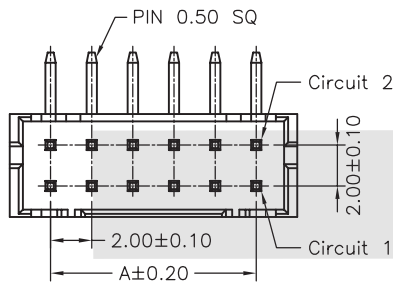
- Rated Voltage: 250V AC.DC
- Rated Current: 3A
- Contact Resistance: 0.02 Ohm max
- Insulation Resistance: 1000M Ohm min
- Withstand voltage: 1000V AC/MIN
- Temperature range for usage : -40°C~+105°C
- P.C board thickness : 0.8~1.6mm

### Material:

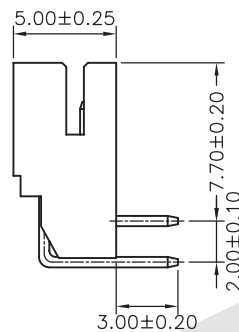
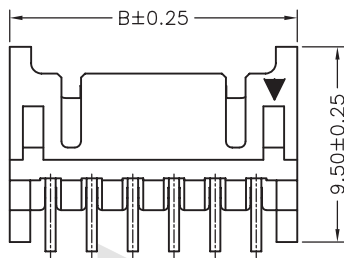
- Housing: PA66 UL94V-2
- Contacts: Brass
- Plating: Tin 50u" over 100u" nickel
- Wire range : AWG#30~#22



### Right Male pin



PART NO.	Dimensions	
	A	B
04	2.00	6.00
06	4.00	8.00
08	6.00	10.00
10	8.00	12.00
12	10.00	14.00
14	12.00	16.00
16	14.00	18.00
18	16.00	20.00
20	18.00	22.00
22	20.00	24.00
24	22.00	26.00
26	24.00	28.00
28	26.00	30.00
30	28.00	32.00
32	30.00	34.00
34	32.00	36.00
36	34.00	38.00
38	36.00	40.00
40	38.00	42.00



## ORDER INFORMATION

Product NO.: KLS1-XA1-2.00-XX-R

Series No. \_\_\_\_\_  
Pitch: 2.00=2.00mm

Type: H=Housing  
S=Straight Male pin

T=Terminal  
R=Right Male pin

PIN Number: 2 ~ 20Pin

## PCB Connector Series

KLS1-XA1-2.00 Pitch=2.00mm TYPE

### Electrical Specification:

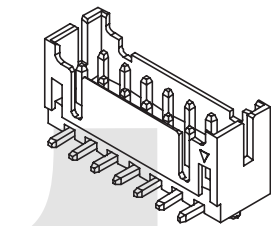
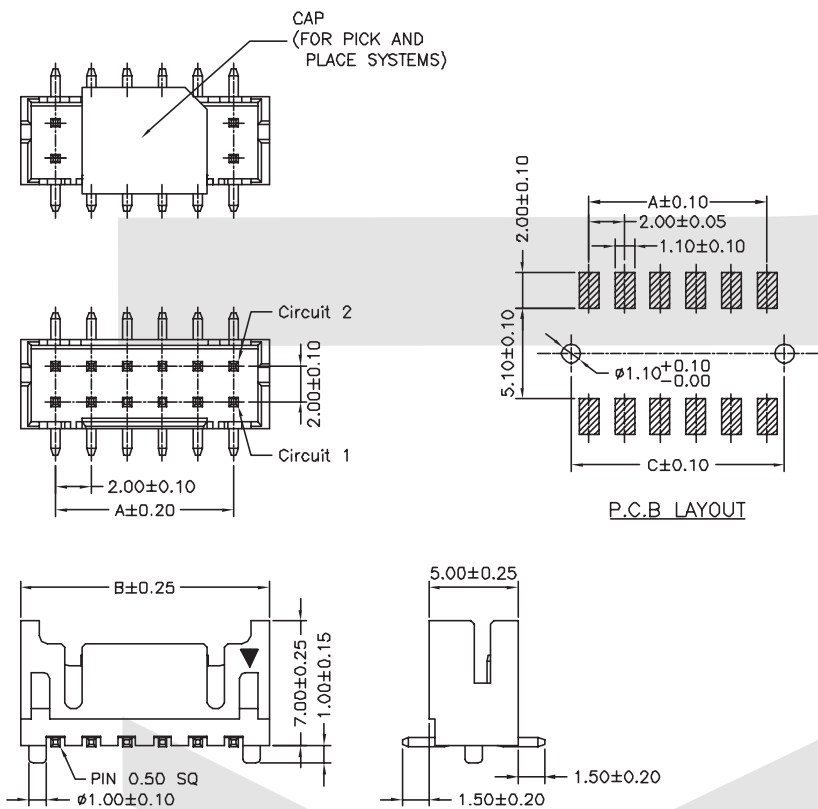
Rated Voltage: 250V AC/DC  
 Rated Current: 3A  
 Contact Resistance: 0.02 Ohm max  
 Insulation Resistance: 1000M Ohm min  
 Withstand voltage: 1000V AC/MIN  
 Temperature range for usage : -40°C~+105°C  
 P.C board thickness : 0.8~1.6mm

### Material:

Housing: PA66 UL94V-2  
 Contacts: Brass  
 Plating: Tin 50u" over 100u" nickel  
 Wire range : AWG#30~#22



### SMT



PART NO.	Dimensions	
	A	B
04	2.00	6.00
06	4.00	8.00
08	6.00	10.00
10	8.00	12.00
12	10.00	14.00
14	12.00	16.00
16	14.00	18.00
18	16.00	20.00
20	18.00	22.00
22	20.00	24.00
24	22.00	26.00
26	24.00	28.00
28	26.00	30.00
30	28.00	32.00
32	30.00	34.00
34	32.00	36.00
36	34.00	38.00
38	36.00	40.00
40	38.00	42.00

## ORDER INFORMATION

Product NO.: KLS1-XA1-2.00-XX-M

Series No. \_\_\_\_\_ Type: M=SMT

Pitch: 2.00=2.00mm \_\_\_\_\_ PIN Number: 2 ~ 20Pin

All specification & dimensions are subject to change, please call your nearest KLS sales representative for update information

## PCB Connector Series

KLS1-2.50 Pitch=2.50mm TYPE

### Electrical Specification:

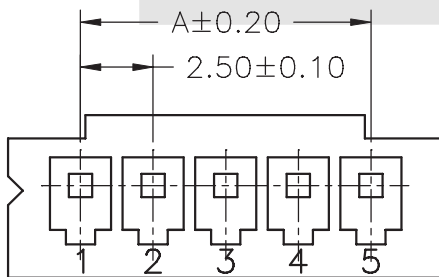
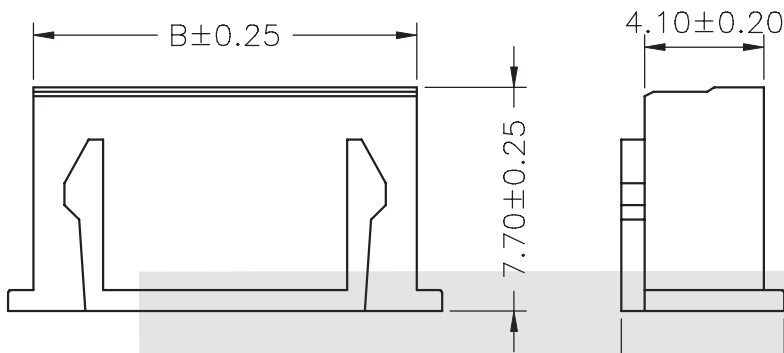
Rated Voltage: 250V AC/DC  
 Rated Current: 3A  
 Contact Resistance: 0.02 Ohm max  
 Insulation Resistance: 1000M Ohm min  
 Withstand voltage: 1000V AC/MIN  
 Temperature range for usage : -25°C~+85°C  
 P.C board thickness : 0.8~1.6mm

### Material:

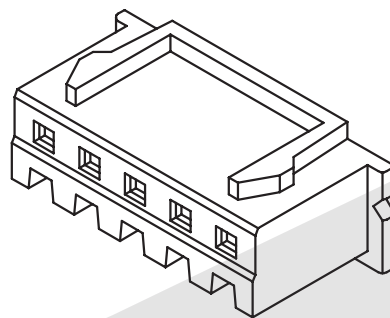
Housing: PA66 (PA66) UL94V-2  
 Contacts: Brass or Phosphor Bronze  
 Plating: Tin 50u" over 100u" nickel  
 Wire range : AWG#30~#22  
 Color: White



### Housing



Circuit 1



PART NO.	Dimensions	
	A	B
02	2.50	5.70
03	5.00	8.20
04	7.50	10.70
05	10.00	13.20
06	12.50	15.70
07	15.00	18.20
08	17.50	20.70
09	20.00	23.20
10	22.50	25.70
11	25.00	28.20
12	27.50	30.70
13	30.00	33.20
14	32.50	35.70
15	35.00	38.20
16	37.50	40.70
17	40.00	43.20
18	42.50	45.70
19	45.00	48.20
20	47.50	50.70

## ORDER INFORMATION

Product NO.: KLS1-2.50-XX-H

Pitch: 2.50=2.50mm

Type: H=Housing  
 S=Straight Male pin  
 R=High Right With Ears Male pin  
 T=Terminal  
 R1=Right Male pin

PIN Number: 2~ 20pin



## PCB Connector Series

KLS1-2.50 Pitch=2.50mm TYPE

### Electrical Specification:

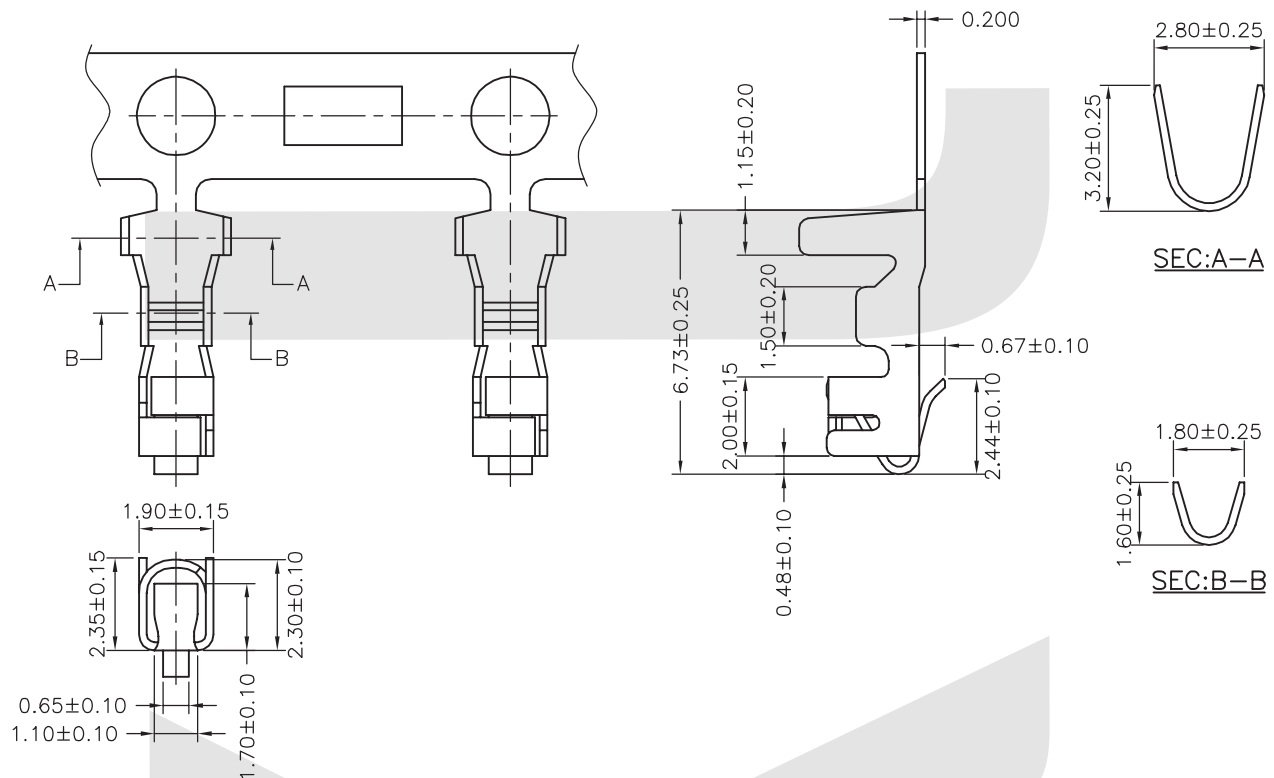
Rated Voltage: 250V AC/DC  
 Rated Current: 3A  
 Contact Resistance: 0.02 Ohm max  
 Insulation Resistance: 1000M Ohm min  
 Withstand voltage: 1000V AC/MIN  
 Temperature range for usage : -25°C~+85°C  
 P.C board thickness : 0.8~1.6mm

### Material:

Housing: PA66 (PA66) UL94V-2  
 Contacts: Brass or Phosphor Bronze  
 Plating: Tin 50u" over 100u" nickel  
 Wire range : AWG#30~#22  
 Color: White



### Terminal



## ORDER INFORMATION

Product NO.: KLS1-2.50-T

Pitch: 2.50=2.50mm

Type: H=Housing      T=Terminal  
 S=Straight Male pin    R1=Right Male pin  
 R=High Right With Ears Male pin

## PCB Connector Series

KLS1-2.50 Pitch=2.50mm TYPE

### Electrical Specification:

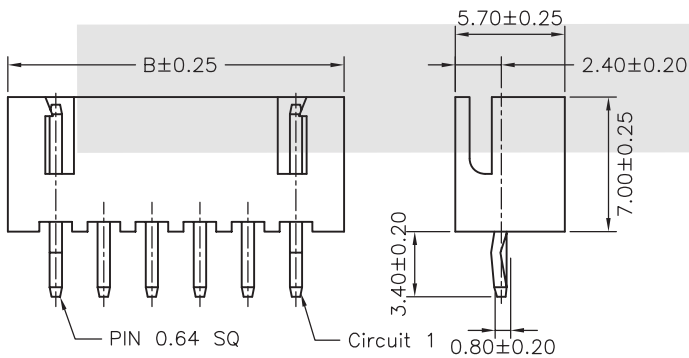
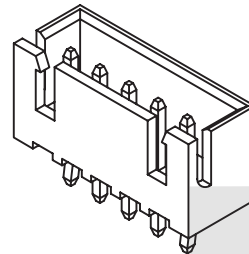
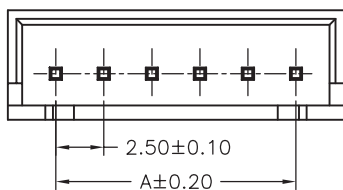
Rated Voltage: 250V AC/DC  
 Rated Current: 3A  
 Contact Resistance: 0.02 Ohm max  
 Insulation Resistance: 1000M Ohm min  
 Withstand voltage: 1000V AC/MIN  
 Temperature range for usage : -25°C~+85°C  
 P.C board thickness : 0.8~1.6mm

### Material:

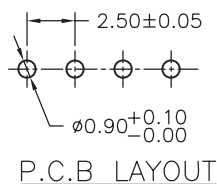
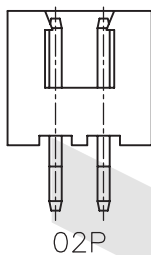
Housing: PA66 (PA66) UL94V-2  
 Contacts: Brass or Phosphor Bronze  
 Plating: Tin 50u" over 100u" nickel  
 Wire range : AWG#30~#22  
 Color: White



### Straight Male pin



PART NO.	Dimensions	
	A	B
02	2.50	7.50
03	5.00	10.00
04	7.50	12.50
05	10.00	15.00
06	12.50	17.50
07	15.00	20.00
08	17.50	22.50
09	20.00	25.00
10	22.50	27.50
11	25.00	30.00
12	27.50	32.50
13	30.00	35.00
14	32.50	37.50
15	35.00	40.00
16	37.50	42.50
17	40.00	45.00
18	42.50	47.50
19	45.00	50.00
20	47.50	52.50



## ORDER INFORMATION

Product NO.: KLS1-2.50-XX-S

Pitch: 2.50=2.50mm

Type: H=Housing  
 S=Straight Male pin  
 R=High Right With Ears Male pin  
 T=Terminal  
 R1=Right Male pin

PIN Number: 2~ 20pin

## PCB Connector Series

KLS1-2.50 Pitch=2.50mm TYPE

### Electrical Specification:

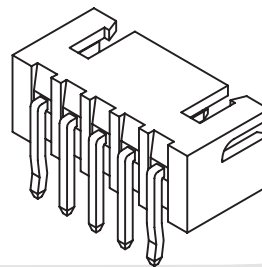
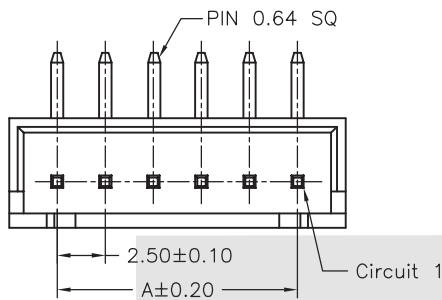
Rated Voltage: 250V AC.DC  
 Rated Current: 3A  
 Contact Resistance: 0.02 Ohm max  
 Insulation Resistance: 1000M Ohm min  
 Withstand voltage: 1000V AC/MIN  
 Temperature range for usage : -25°C~+85°C  
 P.C board thickness : 0.8~1.6mm

### Material:

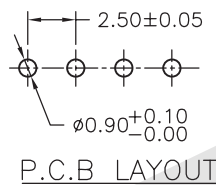
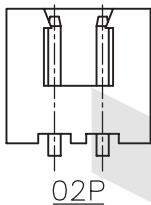
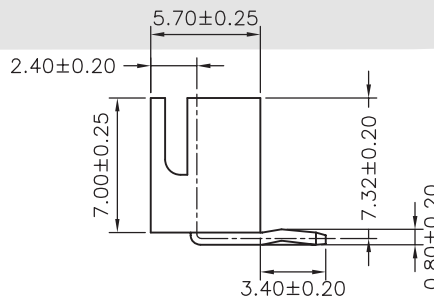
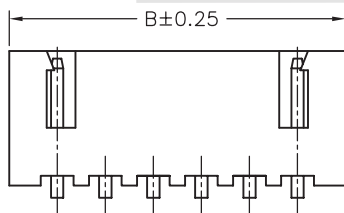
Housing: PA66 (PA66) UL94V-2  
 Contacts: Brass or Phosphor Bronze  
 Plating: Tin 50u" over 100u" nickel  
 Wire range : AWG#30~#22  
 Color: White



### Right Male pin



PART NO.	Dimensions	
	A	B
02	2.50	7.50
03	5.00	10.00
04	7.50	12.50
05	10.00	15.00
06	12.50	17.50
07	15.00	20.00
08	17.50	22.50
09	20.00	25.00
10	22.50	27.50
11	25.00	30.00
12	27.50	32.50
13	30.00	35.00
14	32.50	37.50
15	35.00	40.00
16	37.50	42.50
17	40.00	45.00
18	42.50	47.50
19	45.00	50.00
20	47.50	52.50



## ORDER INFORMATION

Product NO.: KLS1-2.50-XX-R1

Pitch: 2.50=2.50mm

Type: H=Housing  
 S=Straight Male pin  
 R=High Right With Ears Male pin  
 T=Terminal  
 R1=Right Male pin

PIN Number: 2~ 20pin

## PCB Connector Series

KLS1-2.50 Pitch=2.50mm TYPE

### Electrical Specification:

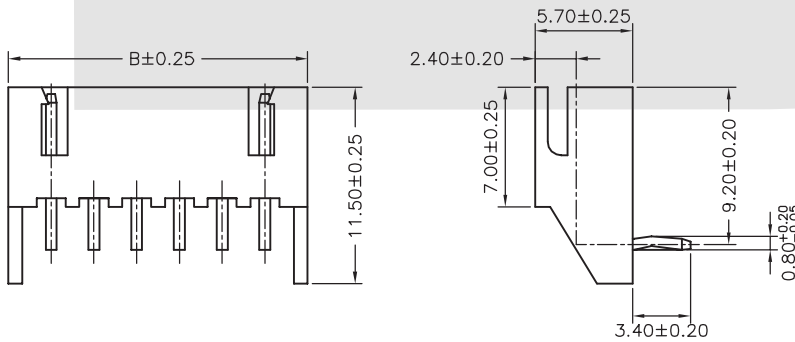
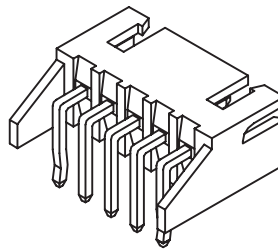
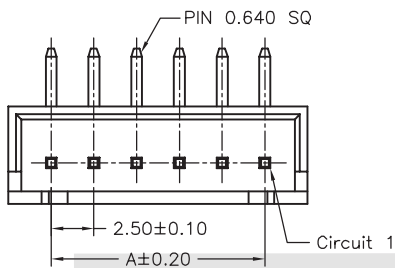
Rated Voltage: 250V AC.DC  
 Rated Current: 3A  
 Contact Resistance: 0.02 Ohm max  
 Insulation Resistance: 1000M Ohm min  
 Withstand voltage: 1000V AC/MIN  
 Temperature range for usage : -25°C~+85°C  
 P.C board thickness : 0.8~1.6mm

### Material:

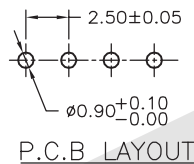
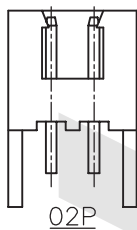
Housing: PA66 (PA66) UL94V-2  
 Contacts: Brass or Phosphor Bronze  
 Plating: Tin 50u" over 100u" nickel  
 Wire range : AWG#30~#22  
 Color: White



### High Right Male pin



PART NO.	Dimensions	
	A	B
02	2.50	7.50
03	5.00	10.00
04	7.50	12.50
05	10.00	15.00
06	12.50	17.50
07	15.00	20.00
08	17.50	22.50
09	20.00	25.00
10	22.50	27.50
11	25.00	30.00
12	27.50	32.50
13	30.00	35.00
14	32.50	37.50
15	35.00	40.00
16	37.50	42.50
17	40.00	45.00
18	42.50	47.50
19	45.00	50.00
20	47.50	52.50



## ORDER INFORMATION

Product NO.: KLS1-2.50-XX-R

Pitch: 2.50=2.50mm

Type: H=Housing  
 S=Straight Male pin  
 R=High Right With Ears Male pin  
 T=Terminal  
 R1=Right Male pin

PIN Number: 2~ 20pin

## PCB Connector Series

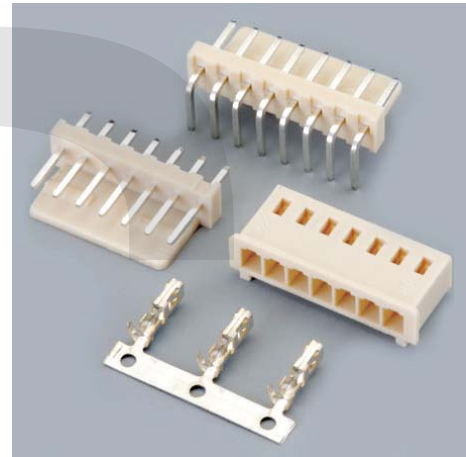
KLS1-XA1-2.50 Pitch=2.50mm TYPE

### Electrical Specification:

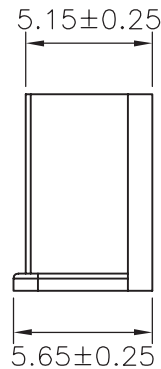
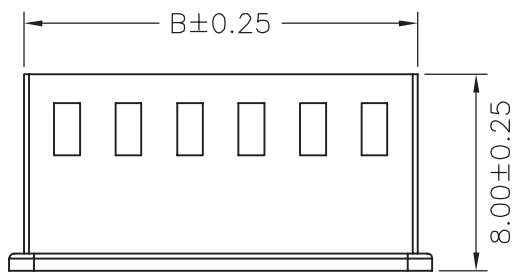
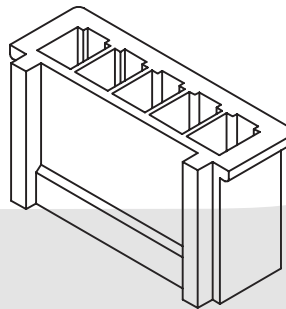
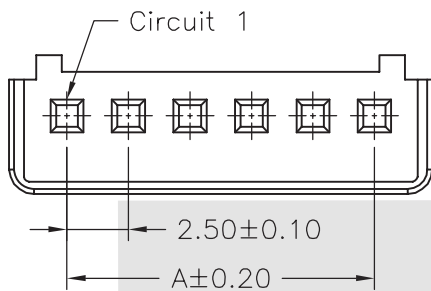
Rated Voltage: 250V AC.DC  
 Rated Current: 3A  
 Contact Resistance: 0.02 Ohm max  
 Insulation Resistance: 1000M Ohm min  
 Withstand voltage: 1000V AC/MIN  
 Temperature range for usage : -40°C~+105°C  
 P.C board thickness : 0.8~1.6mm

### Material:

Housing: PA66 UL94V-2  
 Contacts: Phosphor Bronze  
 Plating: Tin 50u" over 100u" nickel  
 Wire range : AWG#30~#22



### Housing



PART NO.	Dimensions	
	A	B
02	2.50	6.00
03	5.00	8.50
04	7.50	11.00
05	10.00	13.50
06	12.50	16.00
07	15.00	18.50
08	17.50	21.00
09	20.00	23.50
10	22.50	26.00
11	25.00	28.50
12	27.50	31.00
13	30.00	33.50
14	32.50	36.00
15	35.00	38.50
16	37.50	41.00
17	40.00	43.50
18	42.50	46.00
19	45.00	48.50
20	47.50	51.00

## ORDER INFORMATION

Product NO.: KLS1-XA1-2.50-XX-H

Series No. \_\_\_\_\_  
 Pitch: 2.50=2.50mm

Type: H=Housing  
 S=Straight Male pin

T=Terminal  
 R=Right Male pin

PIN Number: 2 ~ 20Pin

## PCB Connector Series

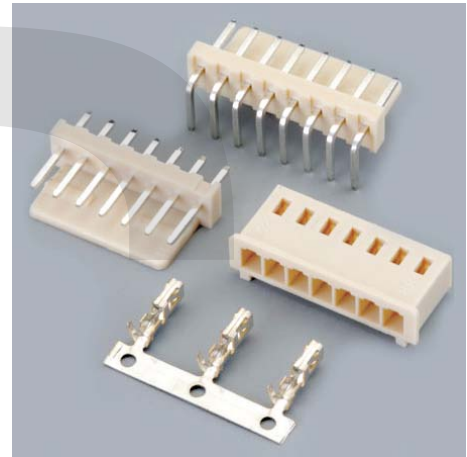
KLS1-XA1-2.50 Pitch=2.50mm TYPE

### Electrical Specification:

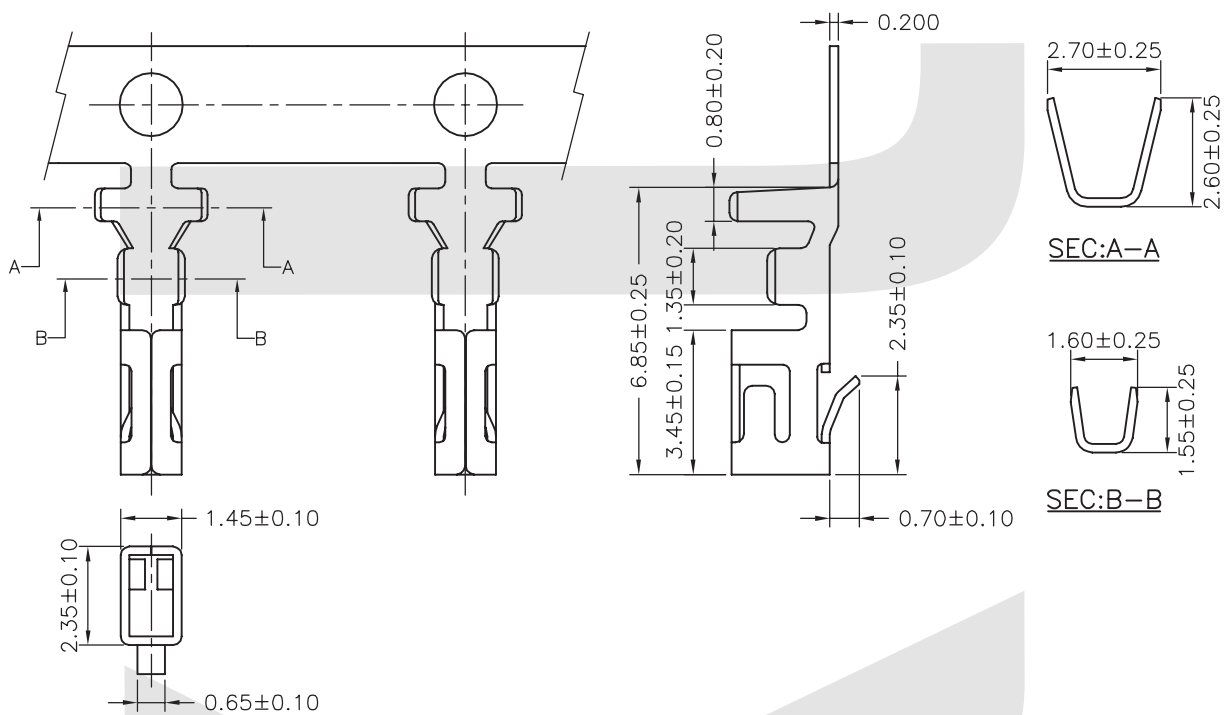
Rated Voltage: 250V AC/DC  
 Rated Current: 3A  
 Contact Resistance: 0.02 Ohm max  
 Insulation Resistance: 1000M Ohm min  
 Withstand voltage: 1000V AC/MIN  
 Temperature range for usage: -40°C~+105°C  
 P.C board thickness : 0.8~1.6mm

### Material:

Contacts: Phosphor Bronze  
 Plating: Tin 50u" over 100u" nickel  
 Wire range : AWG#30~#22



### Terminal



## ORDER INFORMATION

Product NO.: KLS1-XA1-2.50-T

Series No. \_\_\_\_\_  
 Pitch: 2.50=2.50mm

Type: H=Housing      T=Terminal  
 S=Straight Male pin      R=Right Male pin

## PCB Connector Series

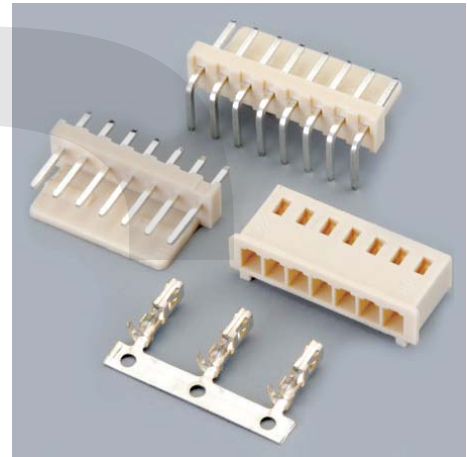
KLS1-XA1-2.50 Pitch=2.50mm TYPE

### Electrical Specification:

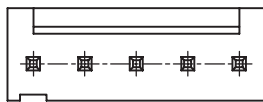
Rated Voltage: 250V AC/DC  
 Rated Current: 3A  
 Contact Resistance: 0.02 Ohm max  
 Insulation Resistance: 1000M Ohm min  
 Withstand voltage: 1000V AC/MIN  
 Temperature range for usage : -40°C~+105°C  
 P.C board thickness : 0.8~1.6mm

### Material:

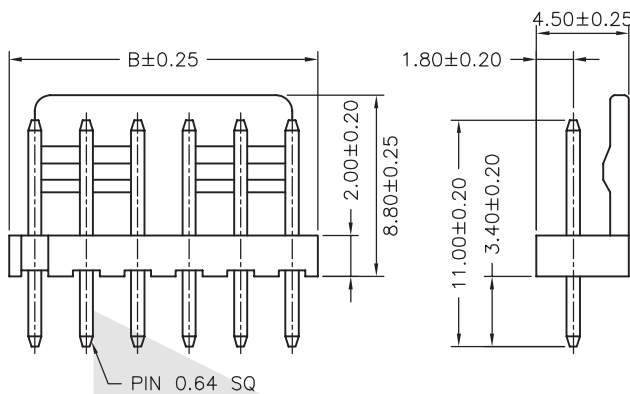
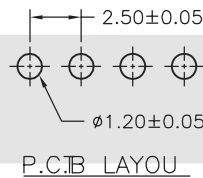
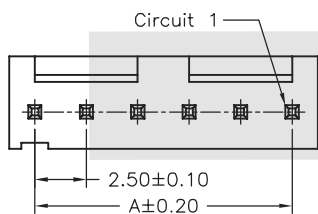
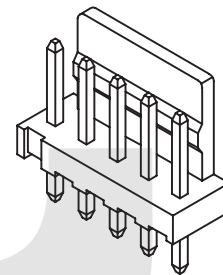
Housing: PA66 UL94V-2  
 Contacts: Brass  
 Plating: Tin 50u" over 100u" nickel  
 Wire range : AWG#30~#22



### Straight Male pin



02~05P



PART NO.	Dimensions	
	A	B
02	2.50	5.00
03	5.00	7.50
04	7.50	10.00
05	10.00	12.50
06	12.50	15.00
07	15.00	17.50
08	17.50	20.00
09	20.00	22.50
10	22.50	25.00
11	25.00	27.50
12	27.50	30.00
13	30.00	32.50
14	32.50	35.00
15	35.00	37.50
16	37.50	40.00
17	40.00	42.50
18	42.50	45.00
19	45.00	47.50
20	47.50	50.00

## ORDER INFORMATION

Product NO.: KLS1-XA1-2.50-XX-S

Series No. \_\_\_\_\_  
 Pitch: 2.50=2.50mm

Type: H=Housing  
 S=Straight Male pin

T=Terminal  
 R=Right Male pin

PIN Number: 2 ~ 20Pin

## PCB Connector Series

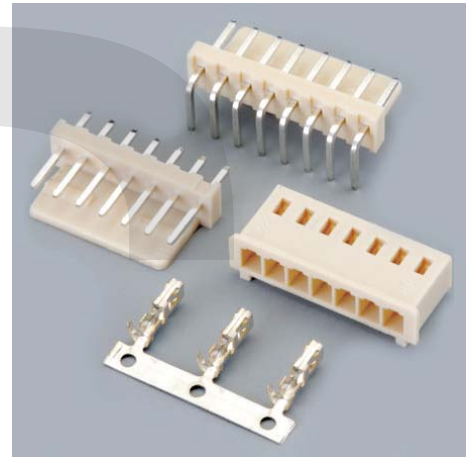
KLS1-XA1-2.50 Pitch=2.50mm TYPE

### Electrical Specification:

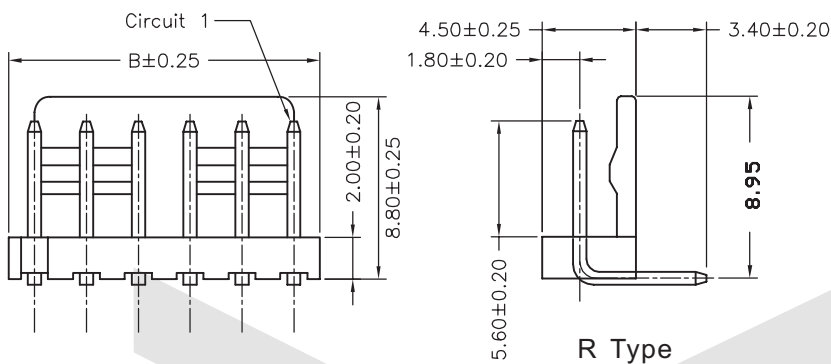
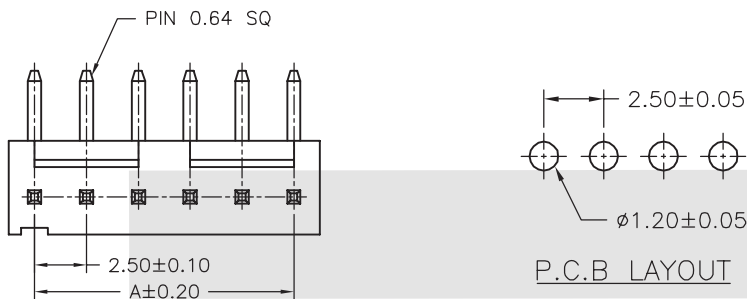
Rated Voltage: 250V AC/DC  
 Rated Current: 3A  
 Contact Resistance: 0.02 Ohm max  
 Insulation Resistance: 1000M Ohm min  
 Withstand voltage: 1000V AC/MIN  
 Temperature range for usage : -40°C~+105°C  
 P.C board thickness : 0.8~1.6mm

### Material:

Housing: PA66 UL94V-2  
 Contacts: Brass  
 Plating: Tin 50u" over 100u" nickel  
 Wire range : AWG#30~#22



### Right Male pin



PART NO.	Dimensions	
	A	B
02	2.50	5.00
03	5.00	7.50
04	7.50	10.00
05	10.00	12.50
06	12.50	15.00
07	15.00	17.50
08	17.50	20.00
09	20.00	22.50
10	22.50	25.00
11	25.00	27.50
12	27.50	30.00
13	30.00	32.50
14	32.50	35.00
15	35.00	37.50
16	37.50	40.00
17	40.00	42.50
18	42.50	45.00
19	45.00	47.50
20	47.50	50.00

## ORDER INFORMATION

Product NO.: KLS1-XA1-2.50-XX-R

Series No. \_\_\_\_\_  
 Pitch: 2.50=2.50mm

Type: H=Housing  
 S=Straight Male pin

T=Terminal  
 R=Right Male pin

PIN Number: 2 ~ 20Pin



**PCB Connector Series**

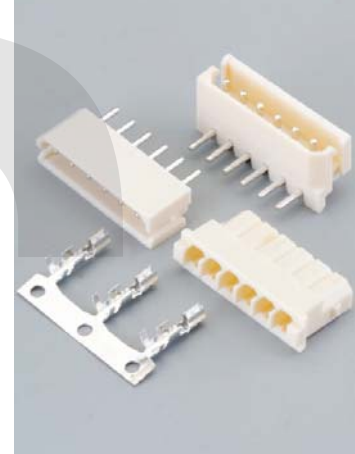
KLS1-XL4-2.50mm Pitch=2.50mm TYPE

**Electrical Specification:**

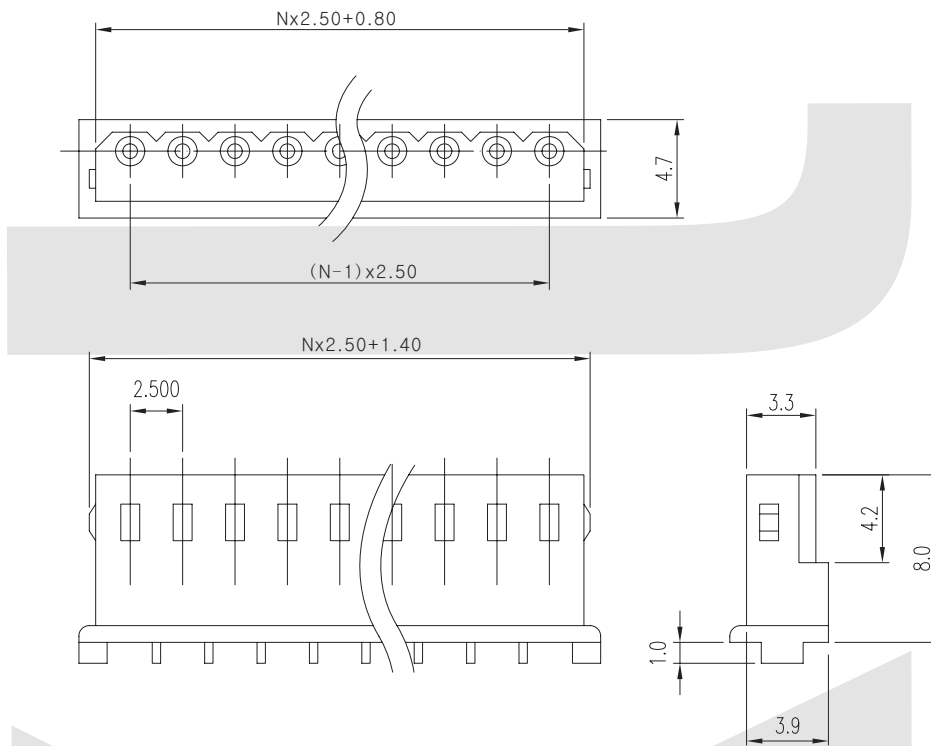
- Rated Voltage: 250V AV.DC
- Rated Current: 3A
- Contact Resistance: 0.02Ω max
- Insulation Resistance: 1000MΩ min
- Withstand voltage: 1000V AC/min
- Temperature range for usage : -25°C~+85°C
- P.C board thickness : 0.8~1.6mm

**Material:**

- Housing: PA66 (PA66) UL94V-0
- Contacts: Phosphor Bronze
- Plating: Tin 50u" over 100u" nickel
- Wire range : AWG#30~#22



**Housing**



**ORDER INFORMATION**

Product NO.: KLS1-XL4-2.50-XX-H

Series No. \_\_\_\_\_ Type: H=Housing T=Terminal  
 Pitch 2.50=2.50mm \_\_\_\_\_ S=Straight Male pin R=Right Male pin  
 PIN Number:2~20pin

**PCB Connector Series**

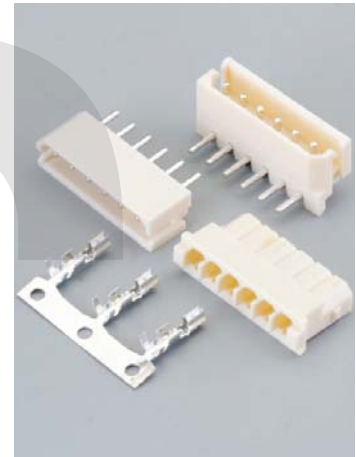
KLS1-XL4-2.50mm Pitch=2.50mm TYPE

**Electrical Specification:**

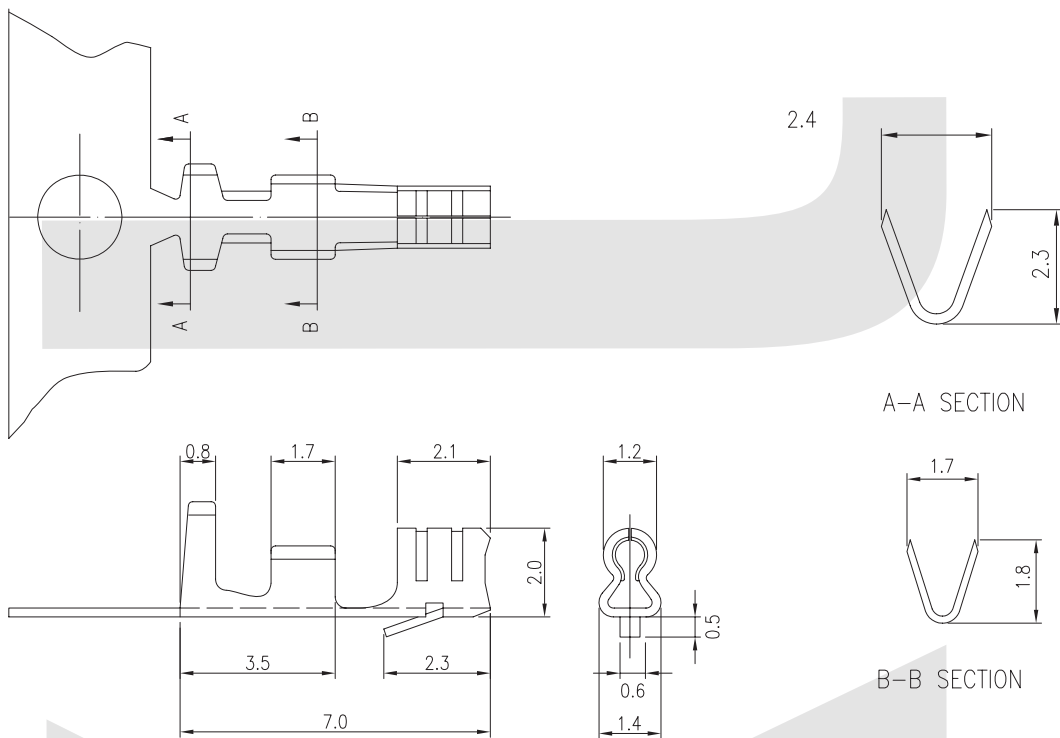
- Rated Voltage: 250V AV.DC
- Rated Current: 3A
- Contact Resistance: 0.02Ω max
- Insulation Resistance: 1000MΩ min
- Withstand voltage: 1000V AC/min
- Temperature range for usage : -25°C~+85°C
- P.C board thickness : 0.8~1.6mm

**Material:**

- Contacts: Phosphor Bronze
- Plating: Tin 50u" over 100u" nickel
- Wire range : AWG#30~#22



**Terminal**



**ORDER INFORMATION**

Product NO.: KLS1-XL4-2.50-T

Series No. \_\_\_\_\_ Type: T=Terminal  
Pitch 2.50=2.50mm

**PCB Connector Series**

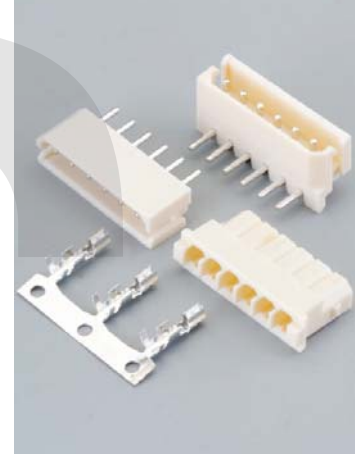
KLS1-XL4-2.50mm Pitch=2.50mm TYPE

**Electrical Specification:**

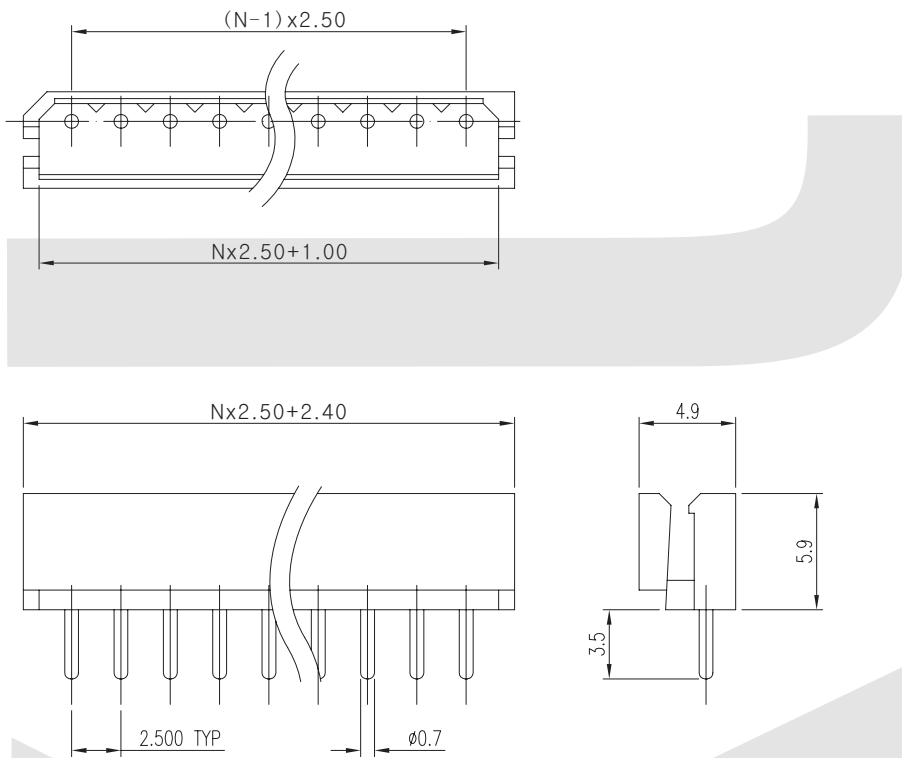
- Rated Voltage: 250V AV.DC
- Rated Current: 3A
- Contact Resistance: 0.02Ω max
- Insulation Resistance: 1000MΩ min
- Withstand voltage: 1000V AC/min
- Temperature range for usage : -25°C~+85°C
- P.C board thickness : 0.8~1.6mm

**Material:**

- Housing: PA66 (PA66) UL94V-0
- Contacts: Brass
- Plating: Tin 50u" over 100u" nickel



**Straight Male pin**



**ORDER INFORMATION**

Product NO.: KLS1-XL4-2.50-XX-S

Series No. \_\_\_\_\_  
Pitch 2.50=2.50mm

Type: H=Housing  
S=Straight Male pin  
PIN Number: 2~20pin

T=Terminal  
R=Right Male pin

**PCB Connector Series**

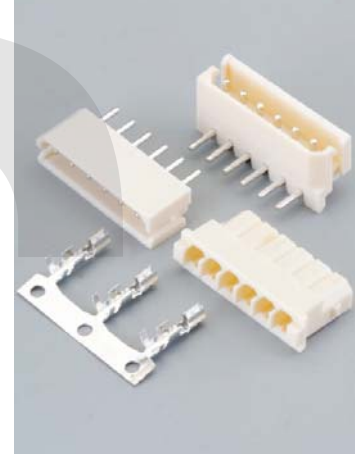
KLS1-XL4-2.50mm Pitch=2.50mm TYPE

**Electrical Specification:**

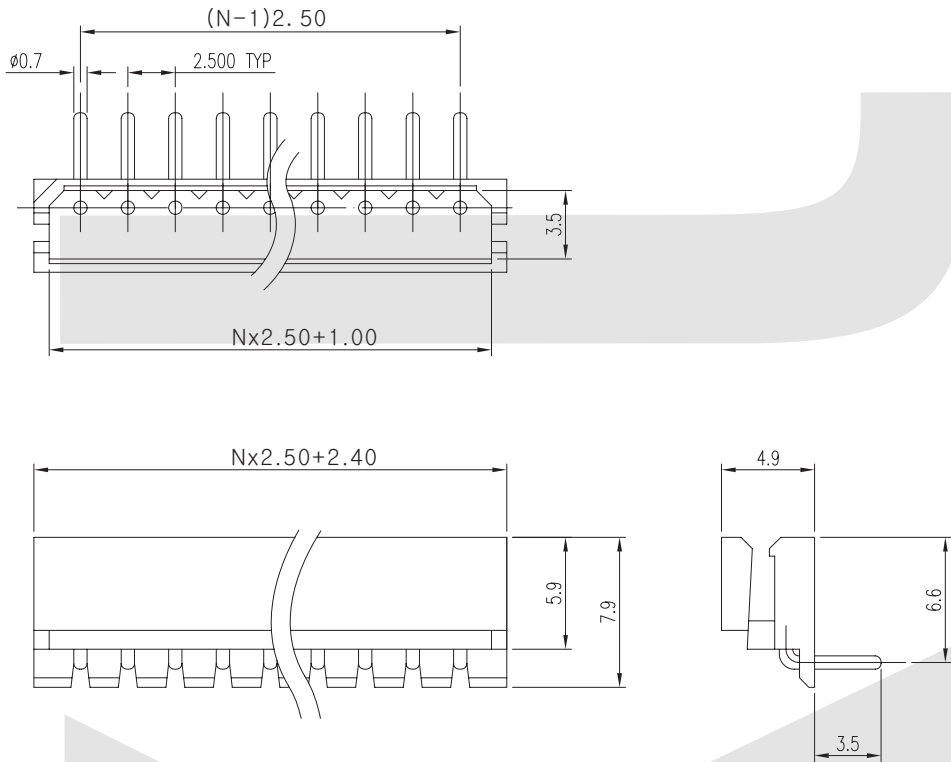
- Rated Voltage: 250V AV.DC
- Rated Current: 3A
- Contact Resistance: 0.02Ω max
- Insulation Resistance: 1000MΩ min
- Withstand voltage: 1000V AC/min
- Temperature range for usage : -25°C~+85°C
- P.C board thickness : 0.8~1.6mm

**Material:**

- Housing: PA66 (PA66) UL94V-0
- Contacts: Brass
- Plating: Tin 50u" over 100u" nickel



**Right Male pin**



**ORDER INFORMATION**

Product NO.: KLS1-XL4-2.50-XX-R

- Series No. \_\_\_\_\_
- Pitch 2.50=2.50mm \_\_\_\_\_
- Type: H=Housing  
S=Straight Male pin
- PIN Number: 2~20pin \_\_\_\_\_
- T=Terminal  
R=Right Male pin

**PCB Connector Series**

KLS1-XL5-2.50mm Pitch=2.50mm TYPE

**Electrical Specification:**

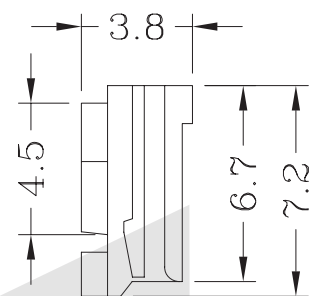
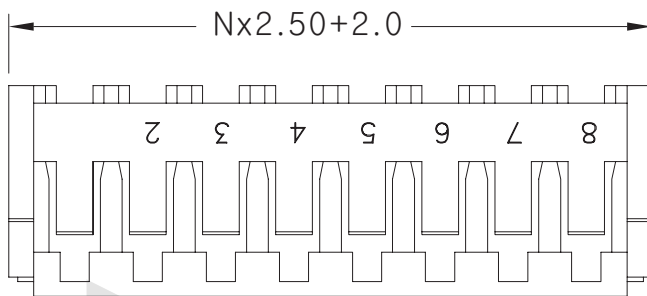
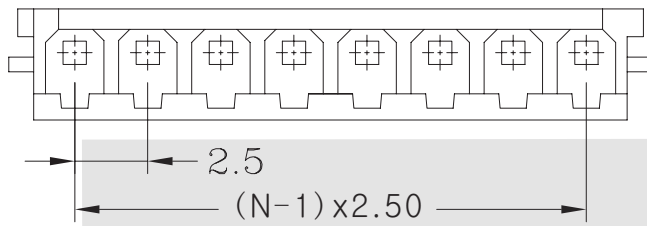
- Rated Voltage: 250V AV.DC
- Rated Current: 3A
- Contact Resistance: 0.02Ω max
- Insulation Resistance: 1000MΩ min
- Withstand voltage: 800V AC/min
- Temperature range for usage : -40°C~+105°C
- P.C board thickness : 0.8~1.6mm

**Material:**

- Housing: PA66 (PA66) UL94V-0
- Contacts: Phosphor Bronze
- Plating: Tin 50u" over 100u" nickel
- Wire range : AWG#30~#22



**Housing**



**ORDER INFORMATION**

Product NO.: KLS1-XL5-2.50-XX-H

Series No. \_\_\_\_\_  
Pitch 2.50=2.50mm

Type: H=Housing  
S=Straight Male pin  
PIN Number: 2 ~ 20Pin

T=Terminal  
R=Right Male pin

## PCB Connector Series

KLS1-XL5-2.50mm Pitch=2.50mm TYPE

### Electrical Specification:

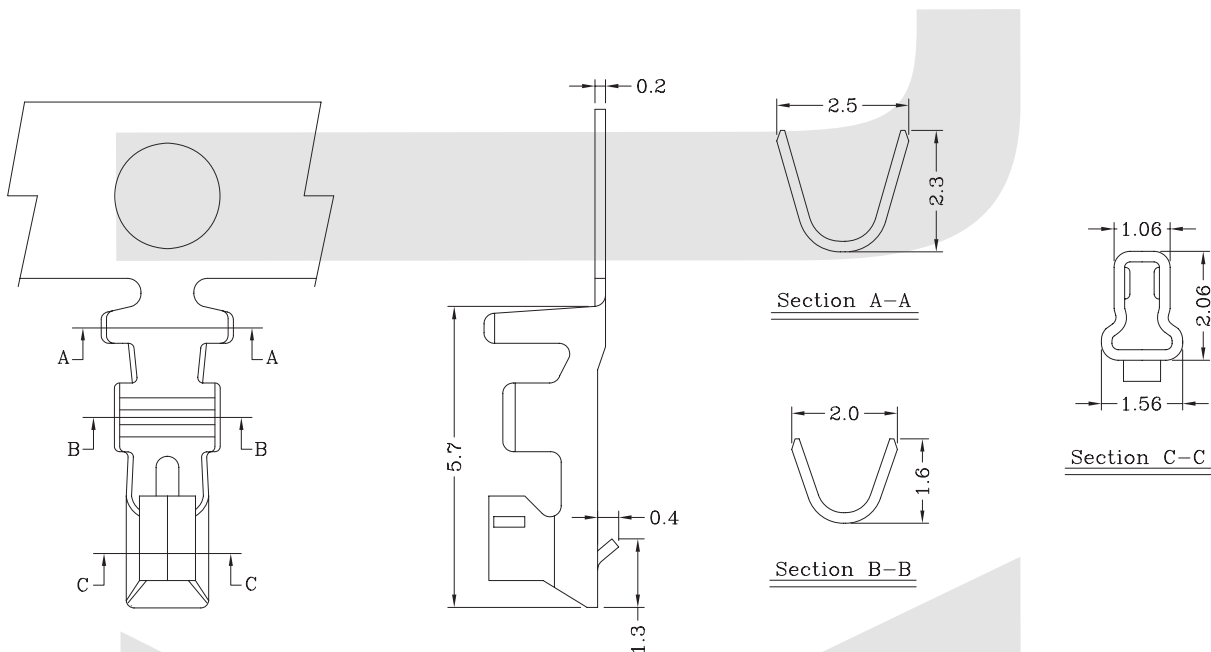
Rated Voltage: 250V AV.DC  
 Rated Current: 3A  
 Contact Resistance: 0.02Ω max  
 Insulation Resistance: 1000MΩ min  
 Withstand voltage: 800V AC/min  
 Temperature range for usage : -40°C~+105°C  
 P.C board thickness : 0.8~1.6mm

### Material:

Housing: PA66 (PA66) UL94V-0  
 Contacts: Phosphor Bronze  
 Plating: Tin 50u" over 100u" nickel  
 Wire range : AWG#30~#22



### Terminal



## ORDER INFORMATION

Product NO.: KLS1-XL5-2.50-T

Series No. \_\_\_\_\_  
 Pitch 2.50=2.50mm

Type: H=Housing  
 S=Straight Male pin  
 T=Terminal  
 R=Right Male pin

## PCB Connector Series

KLS1-XL5-2.50mm Pitch=2.50mm TYPE

### Electrical Specification:

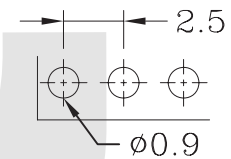
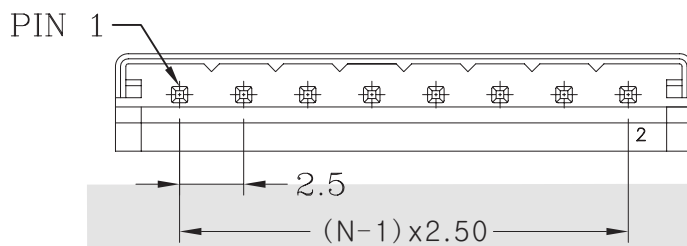
Rated Voltage: 250V AV.DC  
 Rated Current: 3A  
 Contact Resistance: 0.02Ω max  
 Insulation Resistance: 1000MΩ min  
 Withstand voltage: 800V AC/min  
 Temperature range for usage : -40°C~+105°C  
 P.C board thickness : 0.8~1.6mm

### Material:

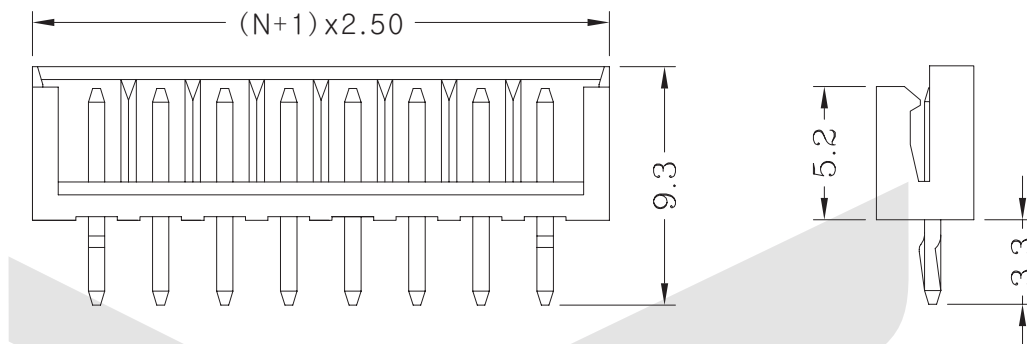
Housing: PA66 (PA66) UL94V-0  
 Contacts: Brass  
 Plating: Tin 50u" over 100u" nickel



### Straight Male pin



P.C.B LAYOUT



## ORDER INFORMATION

Product NO.: KLS1-XL5-2.50-XX-S

Series No. \_\_\_\_\_  
 Pitch 2.50=2.50mm \_\_\_\_\_

Type: H=Housing  
 S=Straight Male pin  
 PIN Number: 2 ~ 20Pin

T=Terminal  
 R=Right Male pin

## PCB Connector Series

KLS1-XL5-2.50mm Pitch=2.50mm TYPE

### Electrical Specification:

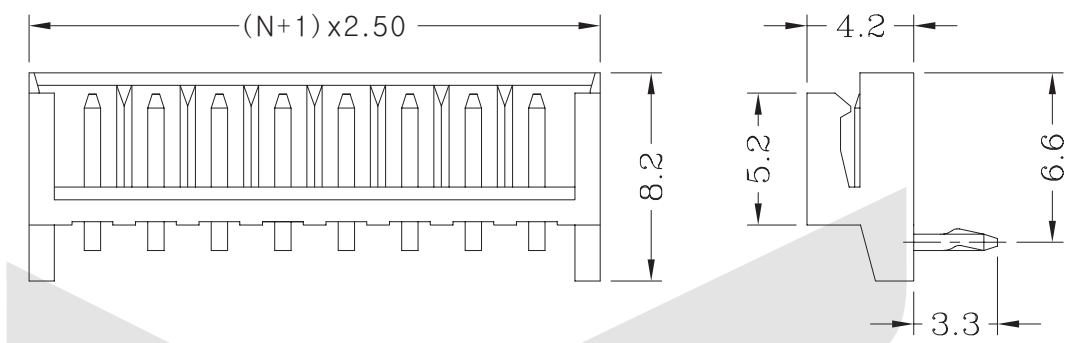
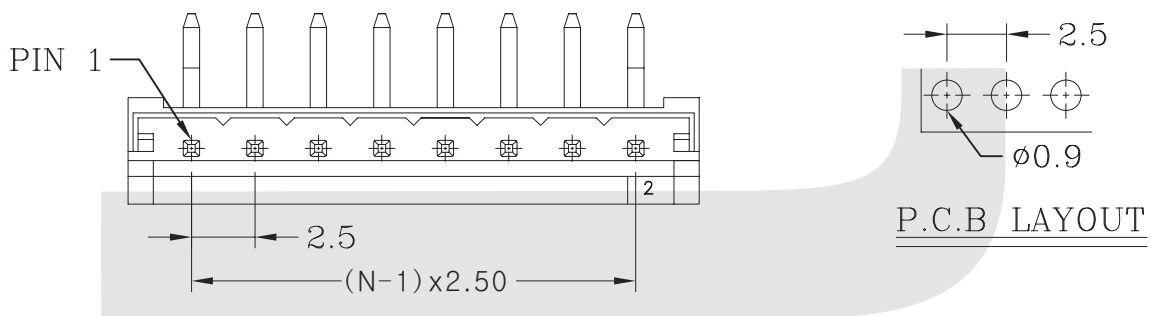
Rated Voltage: 250V AV.DC  
 Rated Current: 3A  
 Contact Resistance: 0.02Ω max  
 Insulation Resistance: 1000MΩ min  
 Withstand voltage: 800V AC/min  
 Temperature range for usage : -40°C~+105°C  
 P.C board thickness : 0.8~1.6mm

### Material:

Housing: PA66 (PA66) UL94V-0  
 Contacts: Phosphor Bronze  
 Plating: Tin 50u" over 100u" nickel  
 Wire range : AWG#30~#22



### Right Male pin



## ORDER INFORMATION

Product NO.: KLS1-XL5-2.50-XX-R

Series No.

Pitch 2.50=2.50mm

Type: H=Housing  
S=Straight Male pin

PIN Number: 2 ~ 20Pin

T=Terminal  
R=Right Male pin



## PCB Connector Series

KLS1-XM1-2.50 Pitch=2.50mm TYPE

### Electrical Specification:

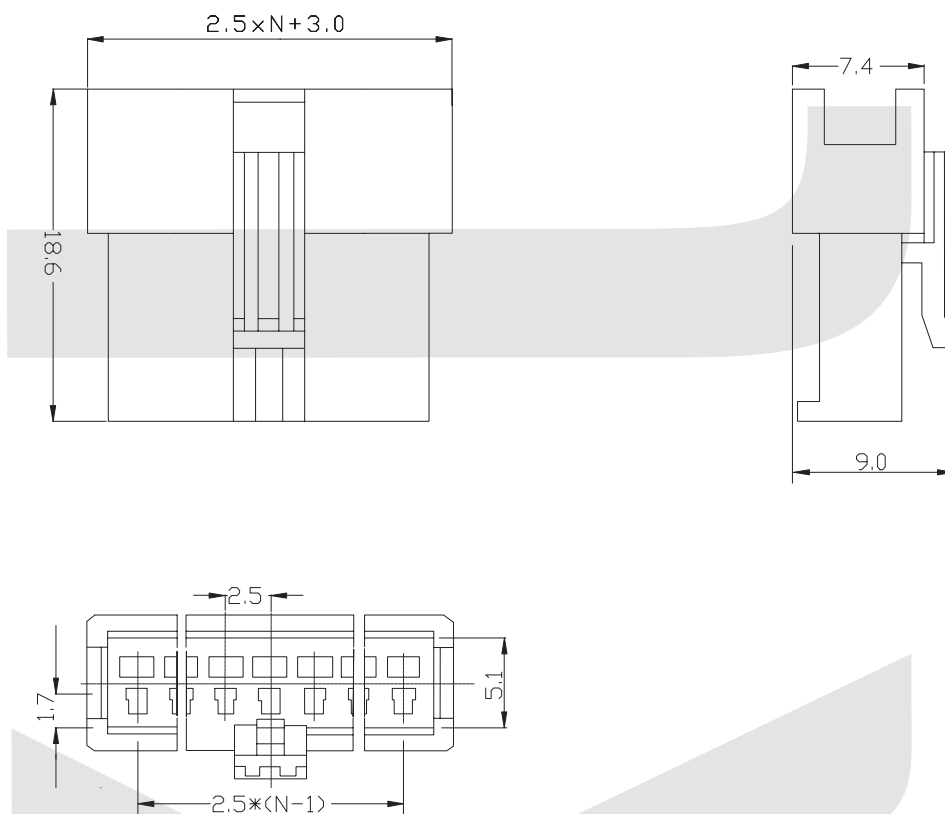
- Rated Voltage: 250V AC/DC
- Rated Current: 3A
- Contact Resistance: 0.02Ω max
- Insulation Resistance: 1000MΩ min
- Withstand voltage: 1000V AC/MIN
- Temperature range for usage : -40°C~+105°C
- P.C board thickness : 0.8~1.6mm

### Material:

- Housing: PA66 (PA66) UL94V-2
- Contacts: Phosphor Bronze
- Plating: Tin 50u" over 100u" nickel
- Wire range : AWG#30~#22



### Female Housing



## ORDER INFORMATION

Product NO.: KLS1-XM1-2.50 -XX-FH

Series No. \_\_\_\_\_  
Pitch: 2.50=2.50mm \_\_\_\_\_

Type:  
MH=Male Housing      FT=Female Terminal  
FH=Female Housing    MT=Male Terminal  
Pin Number: 2~18Pin

## PCB Connector Series

KLS1-XM1-2.50 Pitch=2.50mm TYPE

### Electrical Specification:

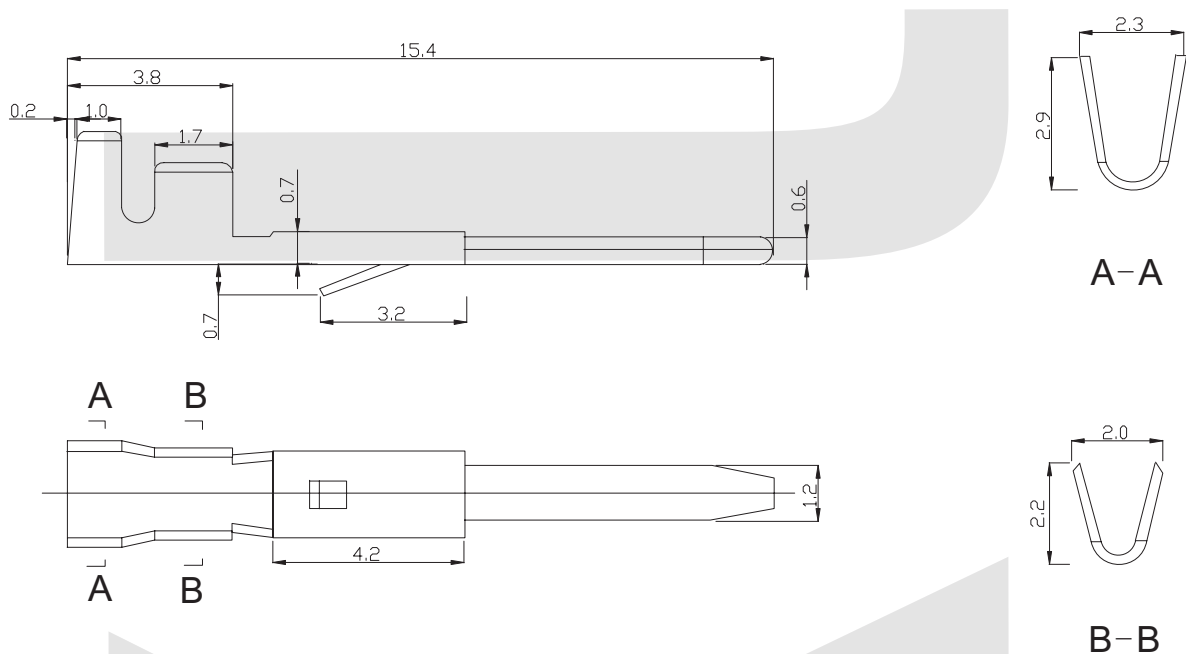
Rated Voltage: 250V AC/DC  
 Rated Current: 3A  
 Contact Resistance: 0.02Ω max  
 Insulation Resistance: 1000MΩ min  
 Withstand voltage: 1000V AC/MIN  
 Temperature range for usage : -40°C~+105°C  
 P.C board thickness : 0.8~1.6mm

### Material:

Housing: PA66 (PA66) UL94V-2  
 Contacts: Phosphor Bronze  
 Plating: Tin 50u" over 100u" nickel  
 Wire range : AWG#30~#22



### Male Terminal



## ORDER INFORMATION

Product NO.: KLS1-XM1-2.50 -MT

Series No. \_\_\_\_\_  
 Pitch: 2.50=2.50mm \_\_\_\_\_

Type:  
 MH=Male Housing  
 FH=Female Housing

FT=Female Terminal  
 MT=Male Terminal

## PCB Connector Series

KLS1-XM1-2.50 Pitch=2.50mm TYPE

### Electrical Specification:

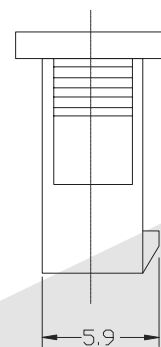
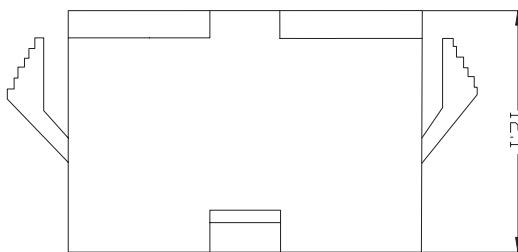
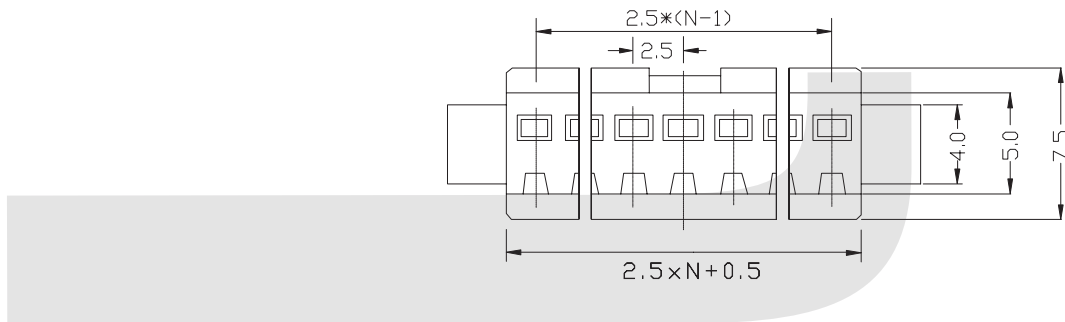
- Rated Voltage: 250V AC/DC
- Rated Current: 3A
- Contact Resistance: 0.02Ω max
- Insulation Resistance: 1000MΩ min
- Withstand voltage: 1000V AC/MIN
- Temperature range for usage : -40°C~+105°C
- P.C board thickness : 0.8~1.6mm

### Material:

- Housing: PA66 (PA66) UL94V-2
- Contacts: Phosphor Bronze
- Plating: Tin 50u" over 100u" nickel
- Wire range : AWG#30~#22



### Male Housing



## ORDER INFORMATION

Product NO.: KLS1-XM1-2.50 -XX-MH

Series No. \_\_\_\_\_  
Pitch: 2.50=2.50mm \_\_\_\_\_

Type:  
MH=Male Housing  
FH=Female Housing  
Pin Number: 2~18Pin

FT=Female Terminal  
MT=Male Terminal

## PCB Connector Series

KLS1-XM1-2.50 Pitch=2.50mm TYPE

### Electrical Specification:

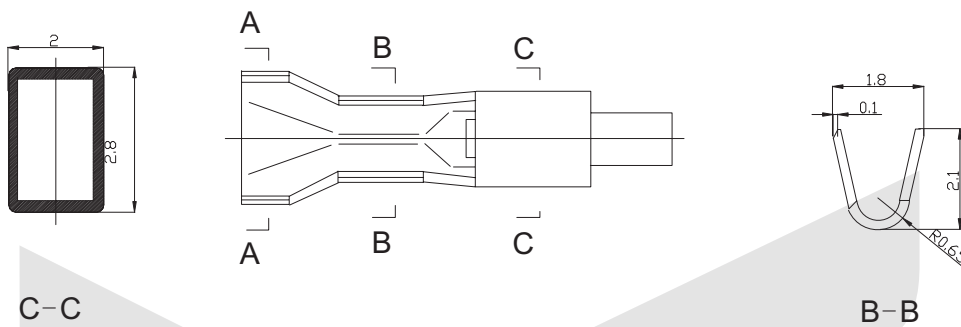
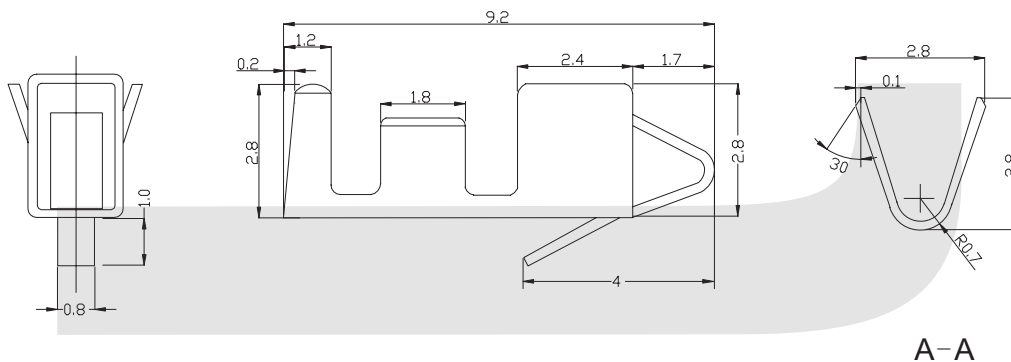
- Rated Voltage: 250V AC/DC
- Rated Current: 3A
- Contact Resistance: 0.02Ω max
- Insulation Resistance: 1000MΩ min
- Withstand voltage: 1000V AC/MIN
- Temperature range for usage : -40°C~+105°C
- P.C board thickness : 0.8~1.6mm

### Material:

- Housing: PA66 (PA66) UL94V-2
- Contacts: Phosphor Bronze
- Plating: Tin 50u" over 100u" nickel
- Wire range : AWG#30~#22



### Female Terminal



## ORDER INFORMATION

Product NO.: KLS1-XM1-2.50 - FT

Series No. \_\_\_\_\_ Type: MH=Male Housing FT=Female Terminal  
Pitch: 2.50=2.50mm \_\_\_\_\_ FH=Female Housing MT=Male Terminal

## PCB Connector Series

KLS1-2.54 Pitch=2.54mm TYPE

### Electrical Specification:

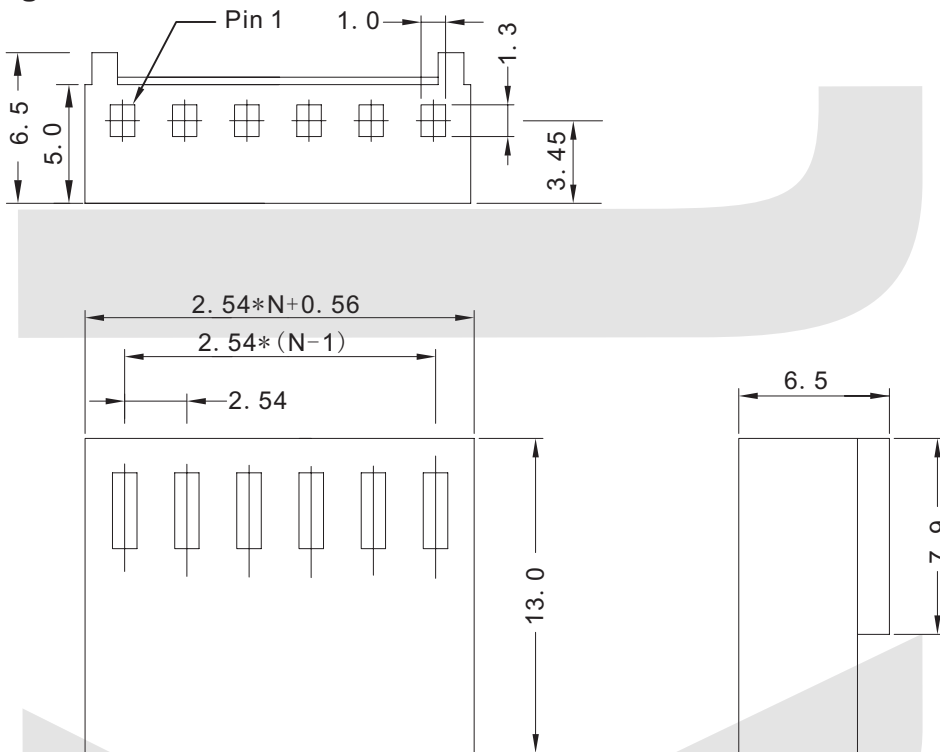
- Rated Voltage: 250V AC/DC
- Rated Current: 3A
- Contact Resistance: 0.02 Ohm max
- Insulation Resistance: 1000M Ohm min
- Withstand voltage: 1000V AC/MIN
- Temperature range for usage : -25°C~+85°C
- P.C board thickness : 0.8~1.6mm

### Material:

- Housing: PA66 (PA66) UL94V-2
- Contacts: Brass or Phosphor Bronze
- Plating: Tin 50u" over 100u" nickel
- Wire range : AWG#30~#22



### Housing



## ORDER INFORMATION

Product NO.: KLS1-2.54-XX-H

Pitch: 2.54=2.54mm

Type: H=Housing  
S=Straight Male pin

PIN Number: 02 ~ 20Pin

T=Terminal  
R=High Right Male pin  
R1=Low Right Male pin

## PCB Connector Series

KLS1-2.54 Pitch=2.54mm TYPE

### Electrical Specification:

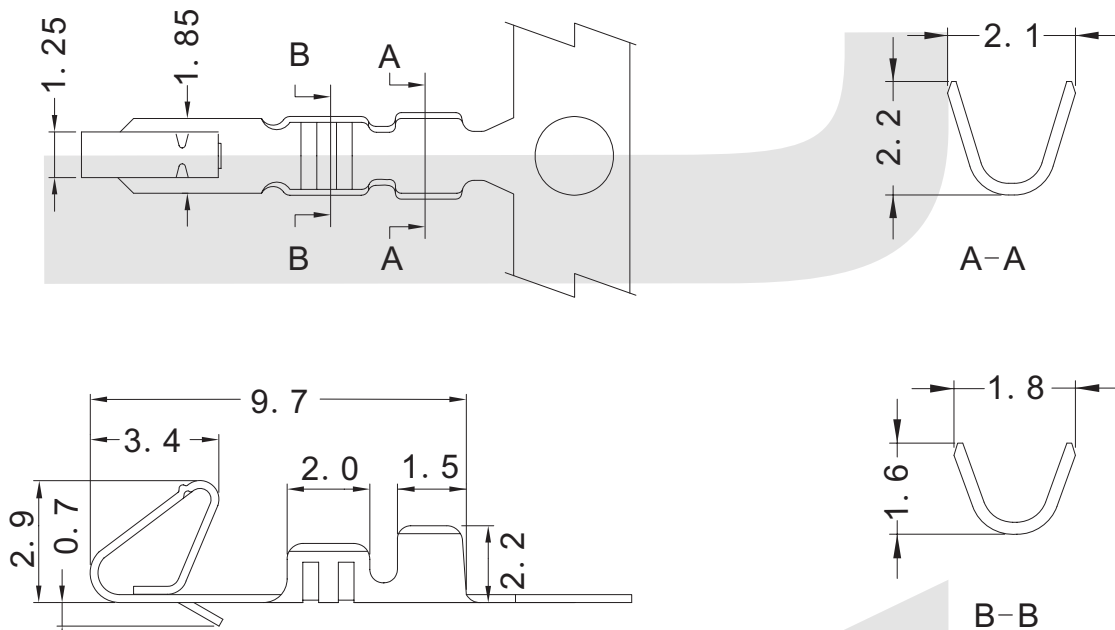
- Rated Voltage: 250V AC/DC
- Rated Current: 3A
- Contact Resistance: 0.02 Ohm max
- Insulation Resistance: 1000M Ohm min
- Withstand voltage: 1000V AC/MIN
- Temperature range for usage : -25°C~+85°C
- P.C board thickness : 0.8~1.6mm

### Material:

- Housing: PA66 (PA66) UL94V-2
- Contacts: Brass or Phosphor Bronze
- Plating: Tin 50u" over 100u" nickel
- Wire range : AWG#30~#22



### Terminal



## ORDER INFORMATION

Product NO.: KLS1-2.54-T

Pitch: 2.54=2.54mm

Type: H=Housing  
S=Straight Male pin  
T=Terminal  
R=High Right Male pin  
R1=Low Right Male pin



## PCB Connector Series

KLS1-2.54 Pitch=2.54mm TYPE

### Electrical Specification:

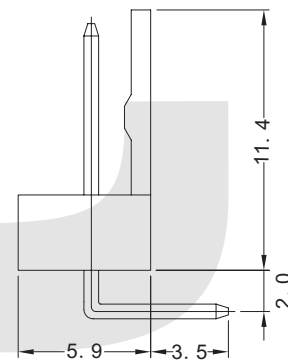
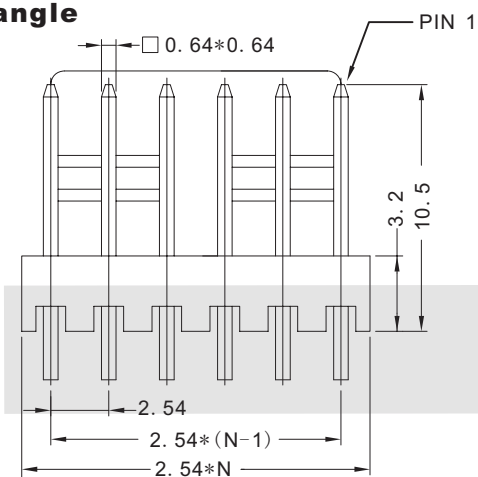
Rated Voltage: 250V AC/DC  
 Rated Current: 3A  
 Contact Resistance: 0.02 Ohm max  
 Insulation Resistance: 1000M Ohm min  
 Withstand voltage: 1000V AC/MIN  
 Temperature range for usage : -25°C~+85°C  
 P.C board thickness : 0.8~1.6mm

### Material:

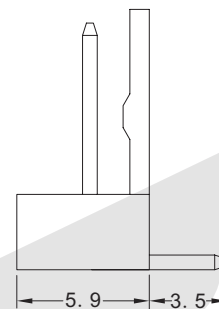
Housing: PA66 (PA66) UL94V-2  
 Contacts: Brass or Phosphor Bronze  
 Plating: Tin 50u" over 100u" nickel  
 Wire range : AWG#30~#22



### Right angle



R Type



R1 Type

## ORDER INFORMATION

Product NO.: KLS1-2.54-XX-R

Pitch: 2.54=2.54mm

Type: H=Housing  
 S=Straight Male pin  
 PIN Number: 02 ~ 20Pin

T=Terminal  
 R=High Right Male pin  
 R1=Low Right Male pin



**PCB Connector Series**

KLS1-XL2-2.54mm Pitch=2.54mm TYPE

**Electrical Specification:**

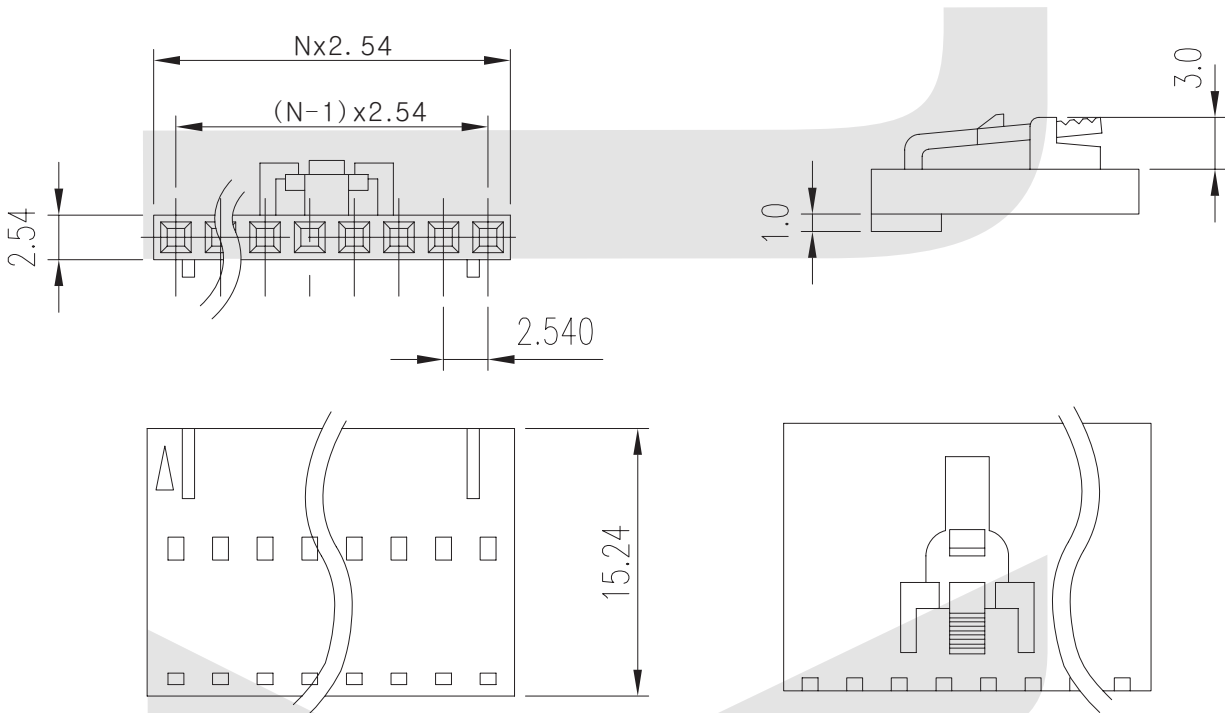
- Rated Voltage: 250V AV.DC
- Rated Current: 3A
- Contact Resistance: 0.02Ω max
- Insulation Resistance: 1000MΩ min
- Withstand voltage: 1000V AC/min
- Temperature range for usage : -40°C~+105°C
- P.C board thickness : 0.8~1.6mm

**Material:**

- Housing: PA66 (PA66) UL94V-0
- Contacts: Phosphor Bronze
- Plating: Tin 50u" over 100u" nickel
- Wire range : AWG#30~#22



**Housing**



**ORDER INFORMATION**

Product NO.: KLS1-XL2-2.54-XX-H

Series No. \_\_\_\_\_  
Pitch 2.54=2.54mm

Type: H=Housing  
S=Straight Male pin  
PIN Number: 2~12pin

T=Terminal  
R=Right Male pin

## PCB Connector Series

KLS1-XL2-2.54mm Pitch=2.54mm TYPE

### Electrical Specification:

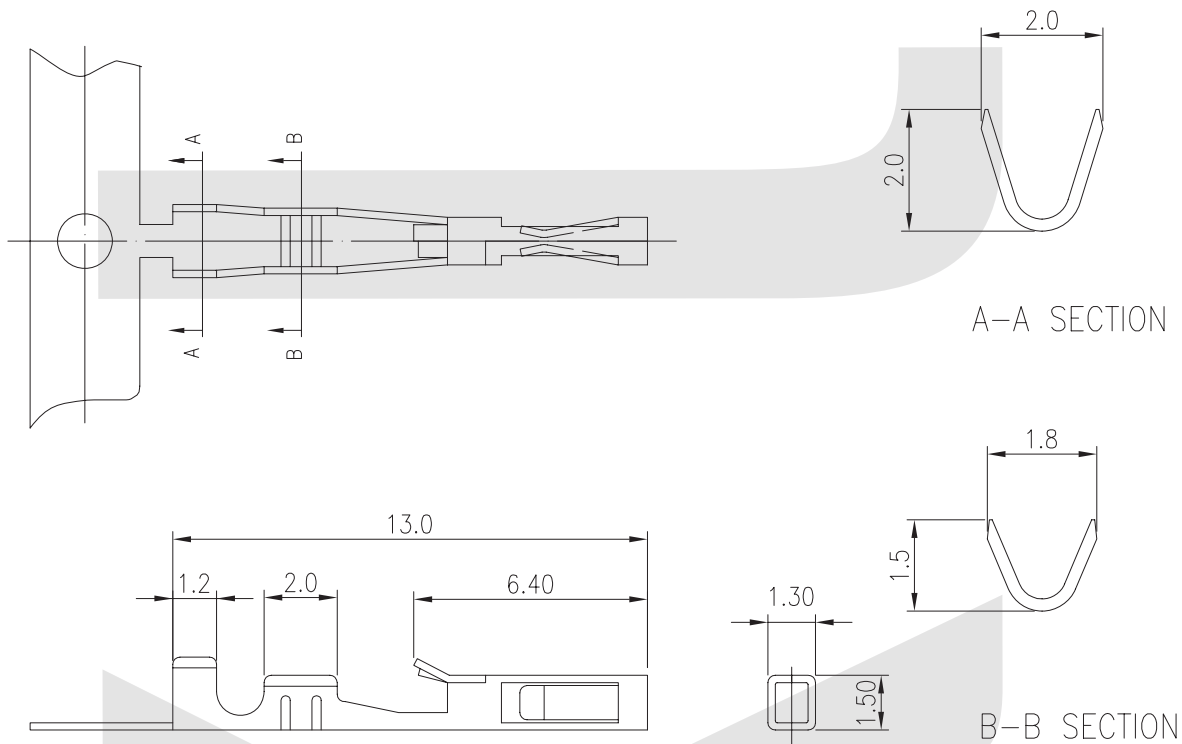
Rated Voltage: 250V AV.DC  
Rated Current: 3A  
Contact Resistance: 0.02Ω max  
Insulation Resistance: 1000MΩ min  
Withstand voltage: 1000V AC/min  
Temperature range for usage: -40°C~+105°C  
P.C board thickness : 0.8~1.6mm

### Material:

Contacts: Phosphor Bronze  
Plating: Tin 50u" over 100u" nickel  
Wire range : AWG#30~#22



### Terminal



## ORDER INFORMATION

Product NO.: KLS1-XL2-2.54-T

Series No.  
Pitch 2.54=2.54mm

Type: H=Housing  
S=Straight Male pin  
T=Terminal  
R=Right Male pin

## PCB Connector Series

KLS1-XL2-2.54mm Pitch=2.54mm TYPE

### Electrical Specification:

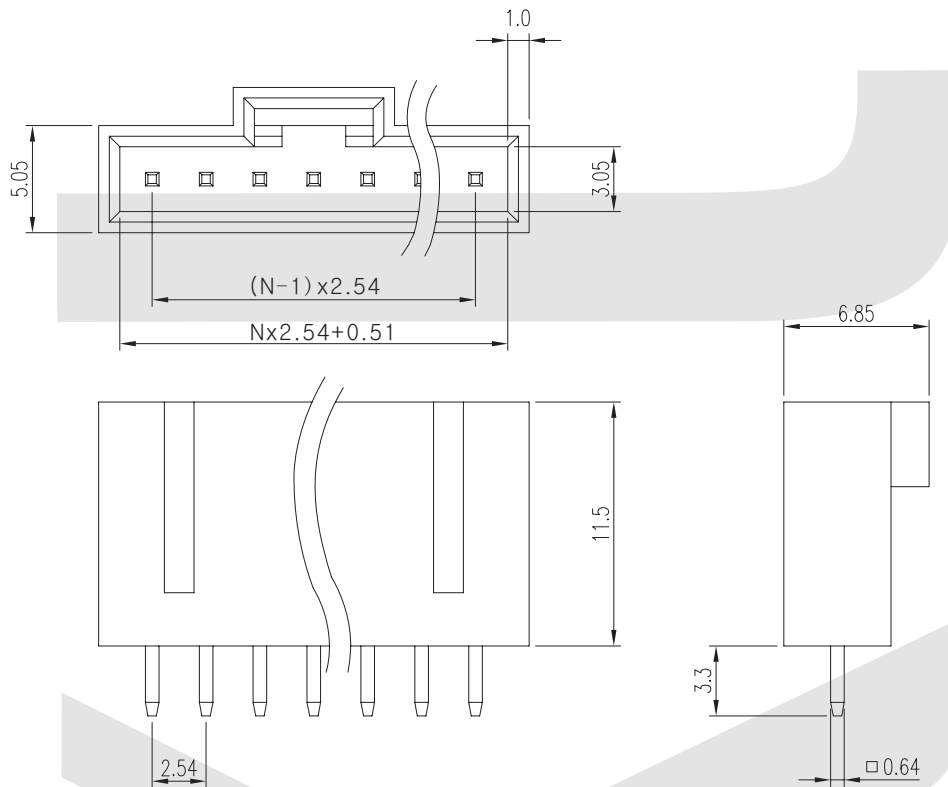
- Rated Voltage: 250V AV.DC
- Rated Current: 3A
- Contact Resistance: 0.02Ω max
- Insulation Resistance: 1000MΩ min
- Withstand voltage: 1000V AC/min
- Temperature range for usage : -40°C~+105°C
- P.C board thickness : 0.8~1.6mm

### Material:

- Housing: PA66 (PA66) UL94V-0
- Contacts: Brass
- Plating: Tin 50u" over 100u" nickel



### Straight Male pin



## ORDER INFORMATION

Product NO.: KLS1-XL2-2.54-XX-S

Series No. \_\_\_\_\_  
Pitch 2.54=2.54mm

Type: H=Housing  
S=Straight Male pin  
PIN Number: 2 ~12pin

T=Terminal  
R=Right Male pin

## PCB Connector Series

KLS1-XL2-2.54mm Pitch=2.54mm TYPE

### Electrical Specification:

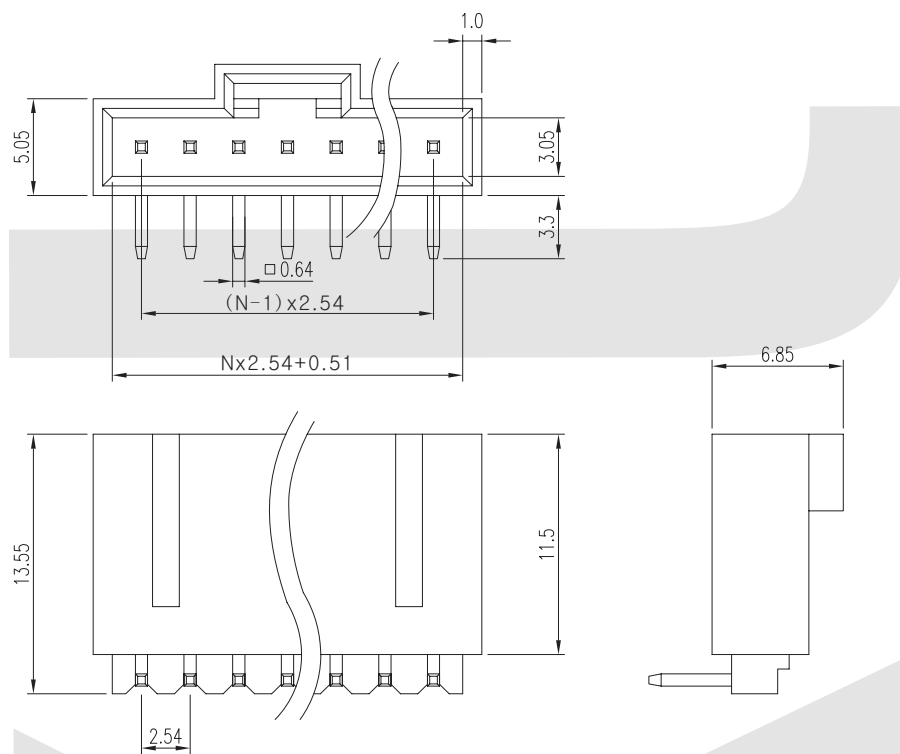
Rated Voltage: 250V AV.DC  
Rated Current: 3A  
Contact Resistance: 0.02Ω max  
Insulation Resistance: 1000MΩ min  
Withstand voltage: 1000V AC/min  
Temperature range for usage : -40°C~+105°C  
P.C board thickness : 0.8~1.6mm

### Material:

Housing: PA66 (PA66) UL94V-0  
Contacts: Brass  
Plating: Tin 50u" over 100u" nickel  
Wire range : AWG#30~#22



### Right Male pin



## ORDER INFORMATION

Product NO.: KLS1-XL2-2.54-XX-R

Series No. \_\_\_\_\_  
Pitch 2.54=2.54mm

Type: H=Housing  
S=Straight Male pin  
PIN Number: 2~12pin

T=Terminal  
R=Right Male pin

**PCB Connector Series**

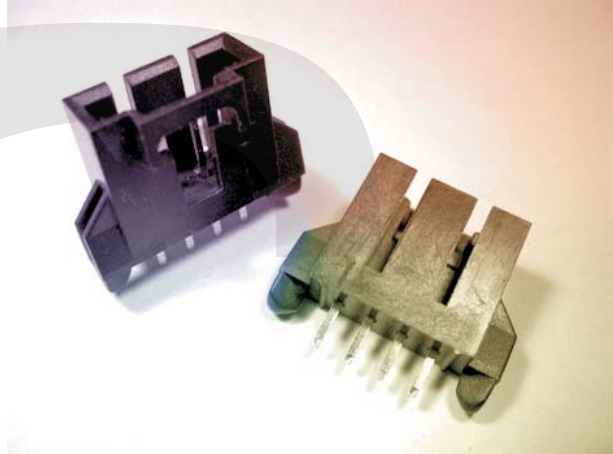
KLS1-XL2-2.54mm Pitch=2.54mm TYPE

**Electrical Specification:**

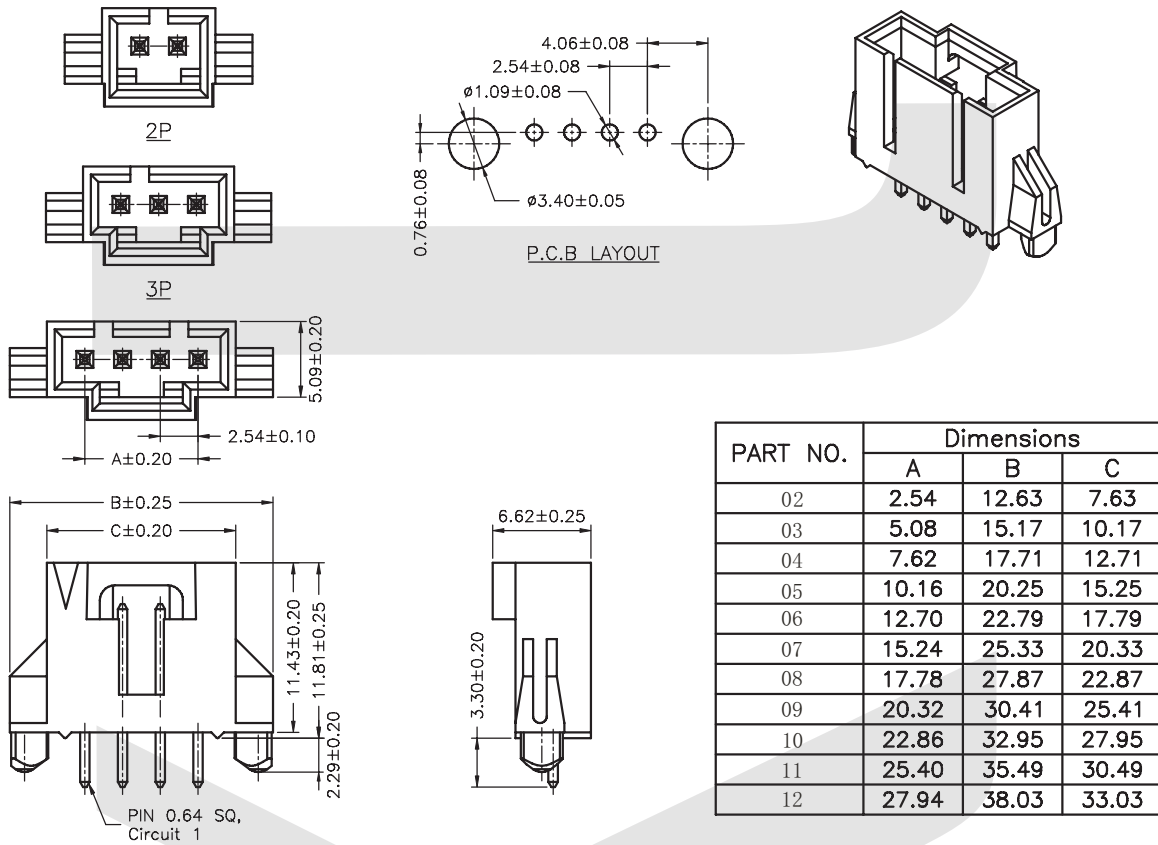
- Rated Voltage: 250V AV.DC
- Rated Current: 3A
- Contact Resistance: 0.02Ω max
- Insulation Resistance: 1000MΩ min
- Withstand voltage: 1000V AC/min
- Temperature range for usage : -40°C~+105°C
- P.C board thickness : 0.8~1.6mm

**Material:**

- Housing: PA66 (PA66) UL94V-0
- Contacts: Brass
- Plating: Tin 50u" over 100u" nickel
- Wire range : AWG#30~#22



**Straight Male pin With Post.**



**ORDER INFORMATION**

Product NO.: KLS1-XL2-2.54-XX-SW

Series No.

Pitch 2.54=2.54mm

SW= Straight Male pin With Post.

PIN Number: 2~12pin

## PCB Connector Series

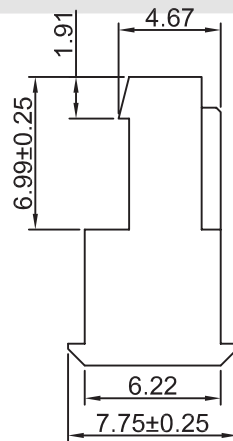
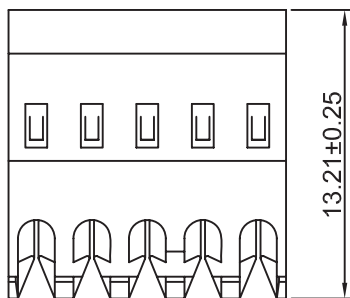
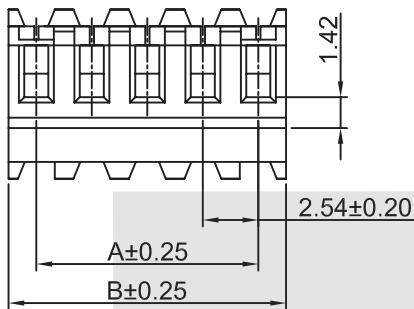
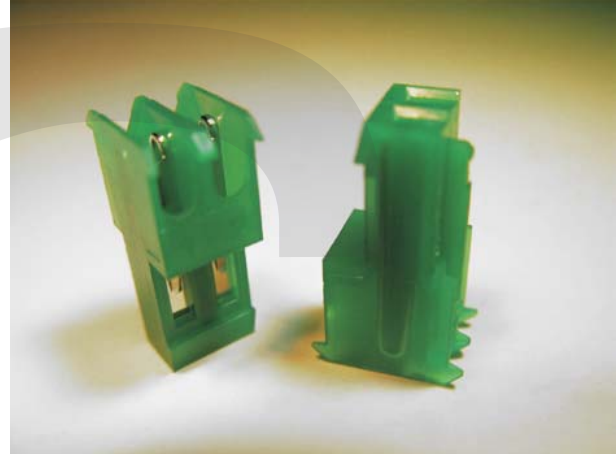
KLS1-MT-2.54 Pitch=2.54mm TYPE

### Electrical Specification:

Rated Voltage: 250V AC.DC  
 Rated Current: 3A  
 Contact Resistance: 20mΩ max  
 Insulation Resistance: 1000MΩ min  
 Withstand voltage: 1500V AC/MIN  
 Temperature range for usage : -40°C~+105°C

### Material:

Housing: PA66 UL94V-2  
 Contacts: Phosphor bronze  
 Plating: Tin 50u" over 100u" nickel



PART NO.	Dimensions	
	A	B
02	2.54	5.08
03	5.08	7.62
04	7.62	10.16
05	10.16	12.70
06	12.70	15.24
07	15.24	17.78
08	17.78	20.32
09	20.32	22.86
10	22.86	25.40
11	25.40	27.94
12	27.94	30.48
13	30.48	33.02
14	33.02	35.56
15	35.56	38.10
16	38.10	40.64
17	40.64	43.18
18	43.18	45.72
19	45.72	48.26
20	48.26	50.80
21	50.80	53.34
22	53.34	55.88
23	55.88	58.42
24	58.42	60.96

## ORDER INFORMATION

Product NO.: KLS1-MT-2.54-XX-R

Series No. \_\_\_\_\_  
 Pitch: 2.54=2.54mm

O -Orange=18 AWG      R -Red=22 AWG  
 Y -Yellow=20 AWG    W -White=24 AWG  
 BL-Blue=26 AWG      BK -Black=18 ~ 26 AWG  
 PIN Number: 2 ~ 24Pin

# PCB Connector

## PCB Connector Series

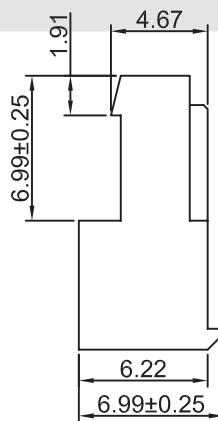
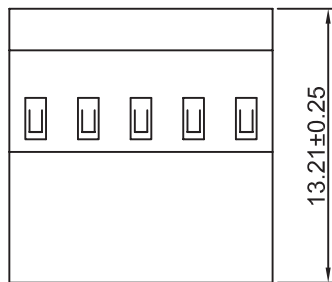
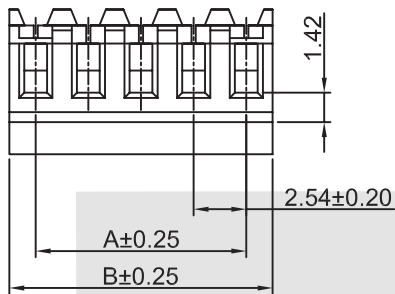
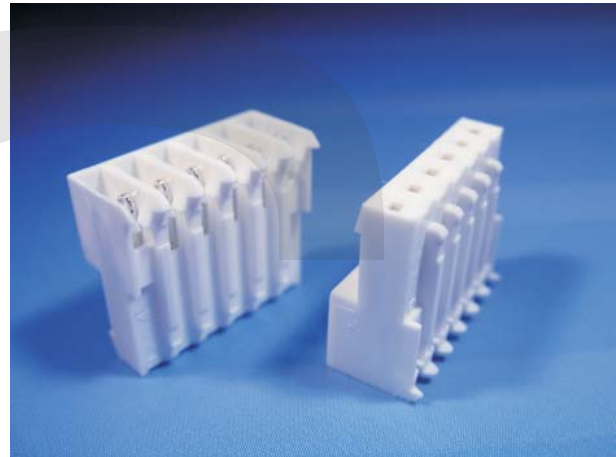
KLS1-MA-2.54 Pitch=2.54mm TYPE

### Electrical Specification:

Rated Voltage: 250V AC/DC  
 Rated Current: 3A  
 Contact Resistance: 20mΩ max  
 Insulation Resistance: 1000MΩ min  
 Withstand voltage: 1500V AC/MIN  
 Temperature range for usage : -40°C~+105°C

### Material:

Housing: PA66 UL94V-2  
 Contacts: Phosphor bronze  
 Plating: Tin 50u" over 100u" nickel



PART NO.	Dimensions	
	A	B
02	2.54	5.08
03	5.08	7.62
04	7.62	10.16
05	10.16	12.70
06	12.70	15.24
07	15.24	17.78
08	17.78	20.32
09	20.32	22.86
10	22.86	25.40
11	25.40	27.94
12	27.94	30.48
13	30.48	33.02
14	33.02	35.56
15	35.56	38.10
16	38.10	40.64
17	40.64	43.18
18	43.18	45.72
19	45.72	48.26
20	48.26	50.80
21	50.80	53.34
22	53.34	55.88
23	55.88	58.42
24	58.42	60.96

## ORDER INFORMATION

Product NO.: KLS1-MA-2.54-XX-R

Series No. \_\_\_\_\_  
 Pitch: 2.54=2.54mm

O -Orange=18 AWG      R -Red=22 AWG  
 Y -Yellow=20 AWG    W -White=24 AWG  
 BL-Blue=26 AWG      BK -Black=18 ~ 26 AWG  
 PIN Number: 2 ~ 24Pin

## PCB Connector Series

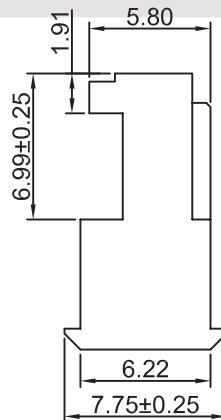
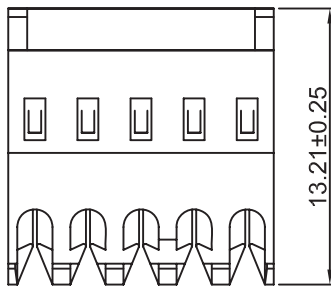
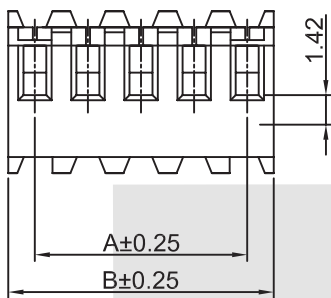
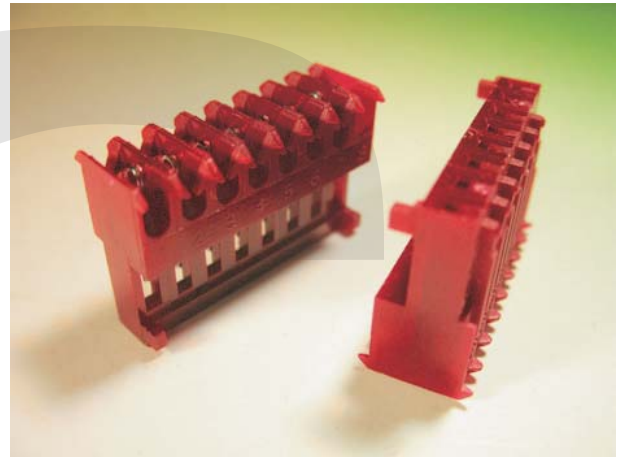
KLS1-MR-2.54 Pitch=2.54mm TYPE

### Electrical Specification:

Rated Voltage: 250V AC.DC  
 Rated Current: 3A  
 Contact Resistance: 20mΩ max  
 Insulation Resistance: 1000MΩ min  
 Withstand voltage: 1500V AC/MIN  
 Temperature range for usage : -40°C~+105°C

### Material:

Housing: PA66 UL94V-2  
 Contacts: Phosphor bronze  
 Plating: Tin 50u" over 100u" nickel



PART NO.	Dimensions	
	A	B
02	2.54	5.08
03	5.08	7.62
04	7.62	10.16
05	10.16	12.70
06	12.70	15.24
07	15.24	17.78
08	17.78	20.32
09	20.32	22.86
10	22.86	25.40
11	25.40	27.94
12	27.94	30.48
13	30.48	33.02
14	33.02	35.56
15	35.56	38.10
16	38.10	40.64
17	40.64	43.18
18	43.18	45.72
19	45.72	48.26
20	48.26	50.80
21	50.80	53.34
22	53.34	55.88
23	55.88	58.42
24	58.42	60.96

## ORDER INFORMATION

Product NO.: KLS1-MR-2.54-XX-R

Series No. \_\_\_\_\_  
 Pitch: 2.54=2.54mm

O -Orange=18 AWG      R -Red=22 AWG  
 Y -Yellow=20 AWG    W -White=24 AWG  
 BL-Blue=26 AWG      BK -Black=18 ~ 26 AWG  
 PIN Number: 2 ~ 24Pin



## PCB Connector Series

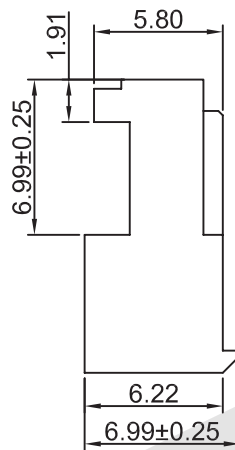
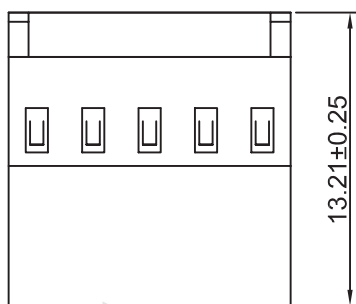
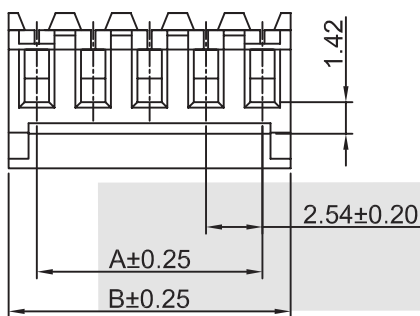
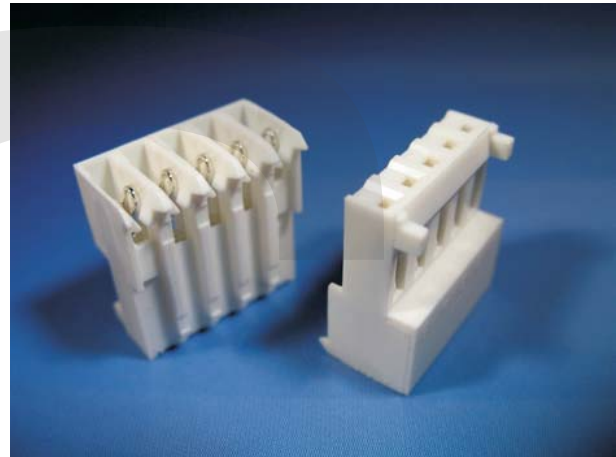
KLS1-MB-2.54 Pitch=2.54mm TYPE

### Electrical Specification:

Rated Voltage: 250V AC/DC  
 Rated Current: 3A  
 Contact Resistance: 20mΩ max  
 Insulation Resistance: 1000MΩ min  
 Withstand voltage: 1500V AC/MIN  
 Temperature range for usage : -40°C~+105°C

### Material:

Housing: PA66 UL94V-2  
 Contacts: Phosphor bronze  
 Plating: Tin 50u" over 100u" nickel



PART NO.	Dimensions	
	A	B
02	2.54	5.08
03	5.08	7.62
04	7.62	10.16
05	10.16	12.70
06	12.70	15.24
07	15.24	17.78
08	17.78	20.32
09	20.32	22.86
10	22.86	25.40
11	25.40	27.94
12	27.94	30.48
13	30.48	33.02
14	33.02	35.56
15	35.56	38.10
16	38.10	40.64
17	40.64	43.18
18	43.18	45.72
19	45.72	48.26
20	48.26	50.80
21	50.80	53.34
22	53.34	55.88
23	55.88	58.42
24	58.42	60.96

## ORDER INFORMATION

Product NO.: KLS1-MB-2.54-XX-R

Series No. \_\_\_\_\_  
 Pitch: 2.54=2.54mm

O -Orange=18 AWG      R -Red=22 AWG  
 Y -Yellow=20 AWG    W -White=24 AWG  
 BL-Blue=26 AWG      BK-Black=18 ~ 26 AWG  
 PIN Number: 2 ~ 24Pin

## PCB Connector Series

KLS1-3.68 Pitch=3.68mm TYPE

### Electrical Specification:

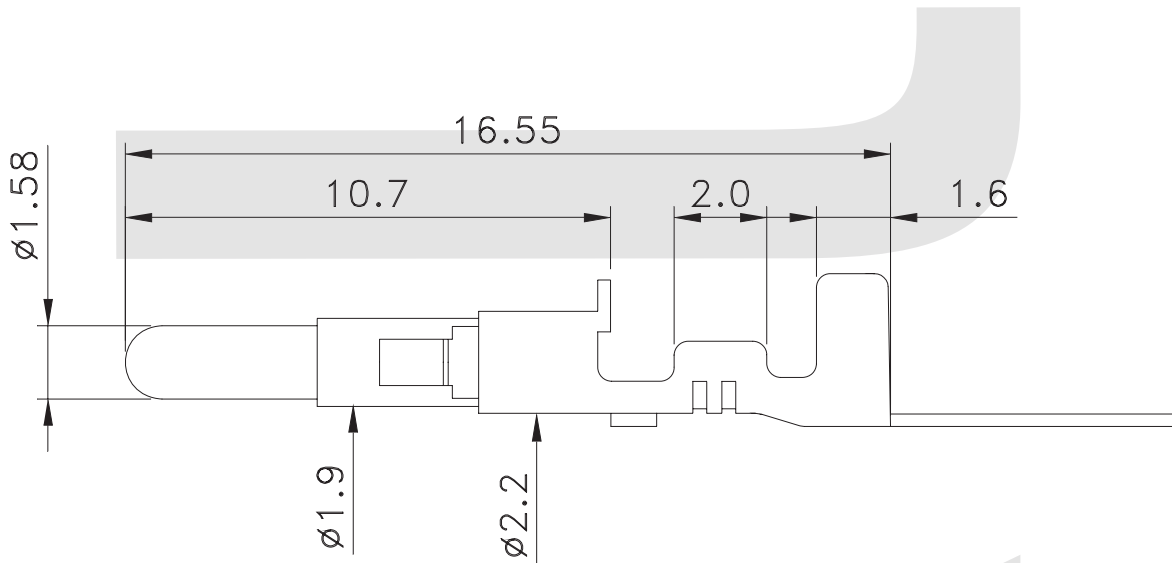
- Voltage rating: 300V. AC / DC
- Current rating: 12A
- Contact resistance: 0.01Ω max
- Insulator resistance: 1000MΩ min
- Withstand voltage: 1500V AC / MIN
- Temperature range for usage : -40°C~+105°C

### Material:

- Contacts: Phosphor Bronze
- Plating: Tin 50u" over 100u" nickel
- Wire range : AWG#24~#20



### Male Terminal



## ORDER INFORMATION

Product NO.: KLS1-3.68-MT

Pitch: 3.68=3.68mm

Type: FH=Female Housing MT=Male Terminal  
MH=Male Housing FT=Female Terminal

## PCB Connector Series

KLS1-3.68 Pitch=3.68mm TYPE

### Electrical Specification:

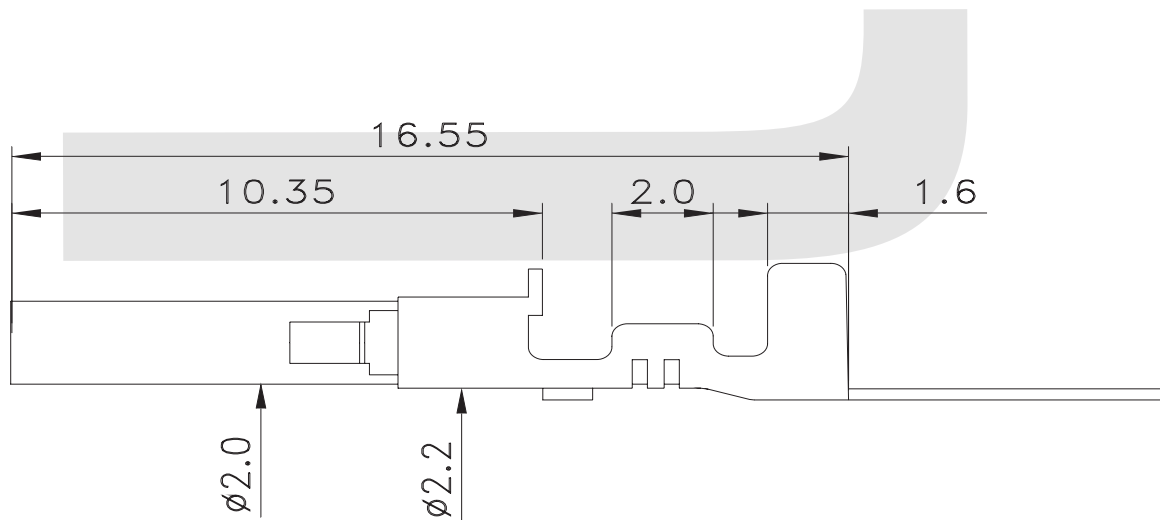
Voltage rating: 300V. AC / DC  
Current rating: 12A  
Contact resistance: 0.01Ω max  
Insulator resistance: 1000MΩ min  
Withstand voltage: 1500V AC / MIN  
Temperature range for usage : -40°C~+105°C

### Material:

Contacts: Phosphor Bronze  
Plating: Tin 50u" over 100u" nickel  
Wire range : AWG#24~#20



### Female Terminal



## ORDER INFORMATION

Product NO.: KLS1-3.68-FT

Pitch: 3.68=3.68mm

Type: FH=Female Housing MT=Male Terminal  
MH=Male Housing FT=Female Terminal

**PCB Connector Series**

KLS1-3.68 Pitch=3.68mm TYPE

**Electrical Specification:**

- Voltage rating: 300V. AC / DC
- Current rating: 12A
- Contact resistance: 0.01Ω max
- Insulator resistance: 1000MΩ min
- Withstand voltage: 1500V AC / MIN
- Temperature range for usage : -40°C~+105°C

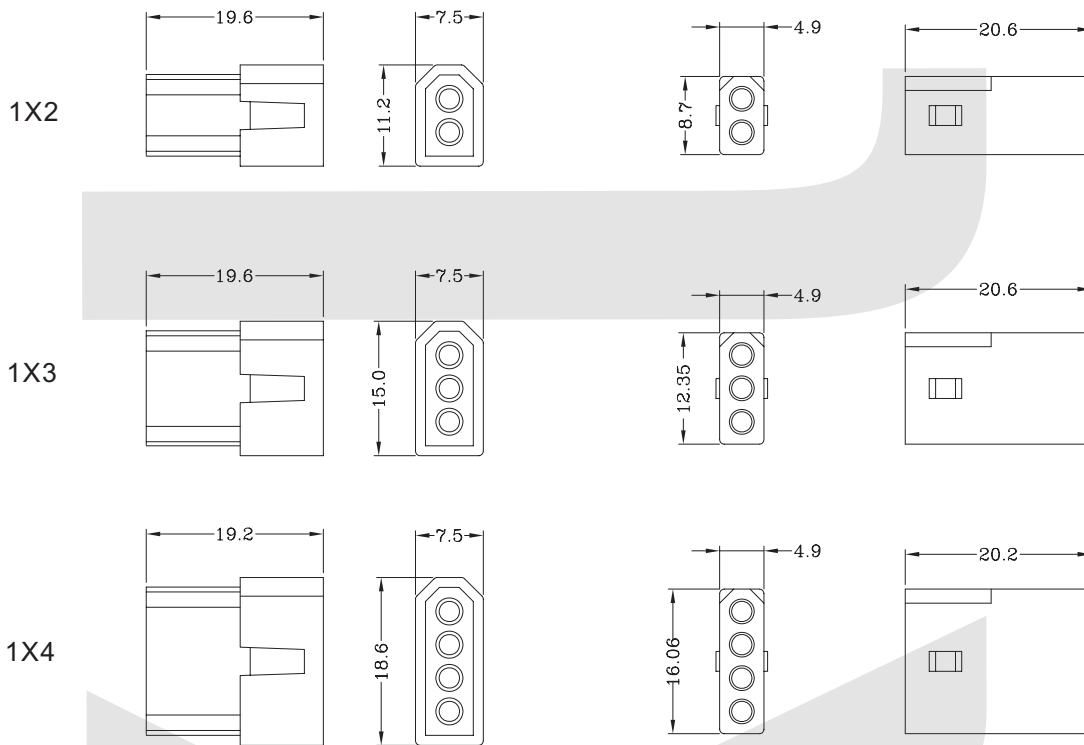
**Material:**

- Housing: PA66 (PA66) UL94V-2
- Wire range : AWG#24~#20



Male Housing

Female Housing



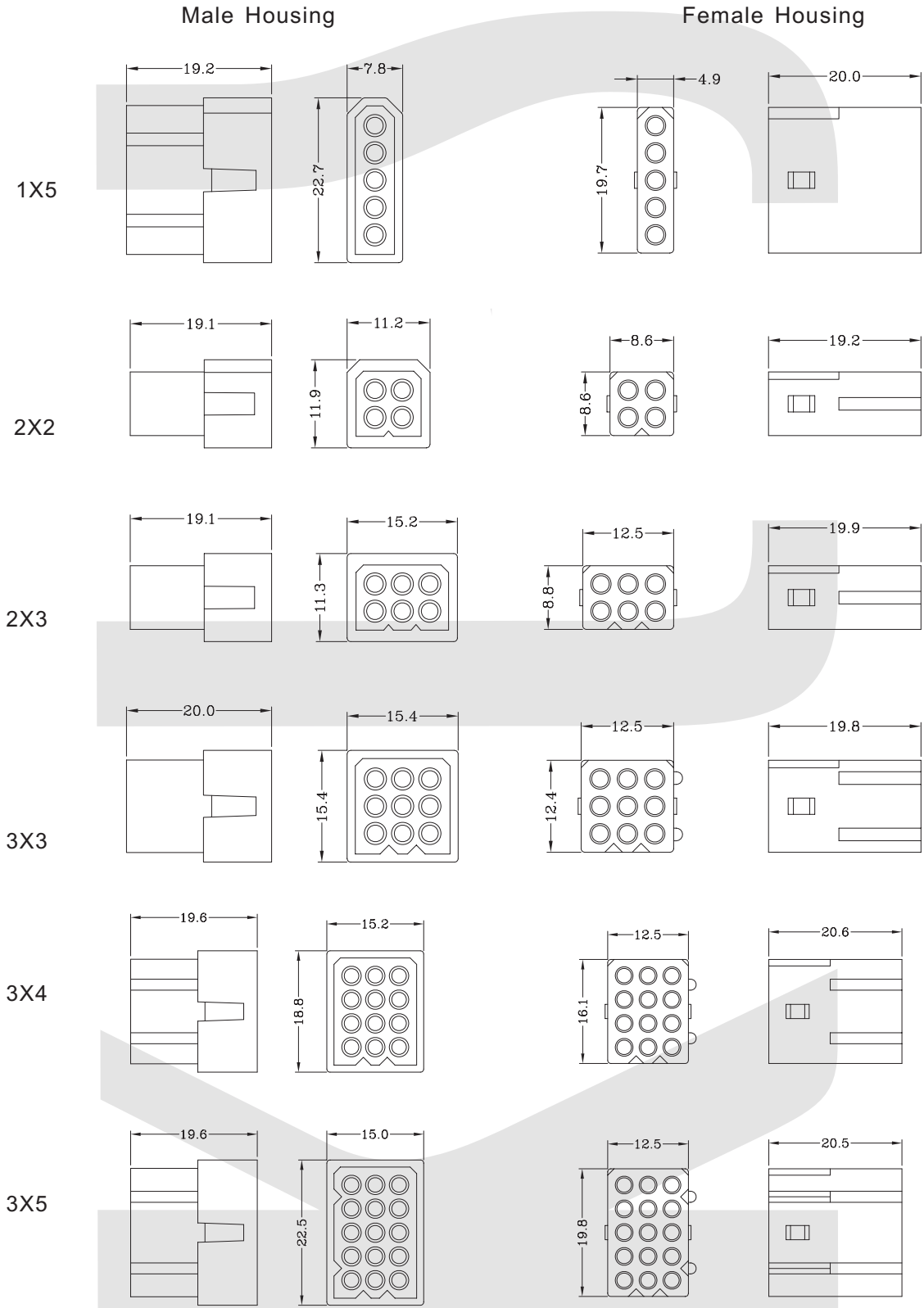
**ORDER INFORMATION**

Product NO.: KLS1-3.68-1X2-FH

- Pitch: 3.68=3.68mm
- Type: FH=Female Housing, MH=Male Housing, MT=Male Terminal, FT=Female Terminal
- No. of Pins: 1-Single layer, 2-Double layer, 3-Three Double layer
- Poles: 1X2, 1X3, 1X4, 2X2, 2X3, 3X3, 3X4, 3X5

**PCB Connector Series**

KLS1-3.68 Pitch=3.68mm TYPE



## PCB Connector Series

KLS1-396 Pitch=3.96mm TYPE

### Electrical Specification:

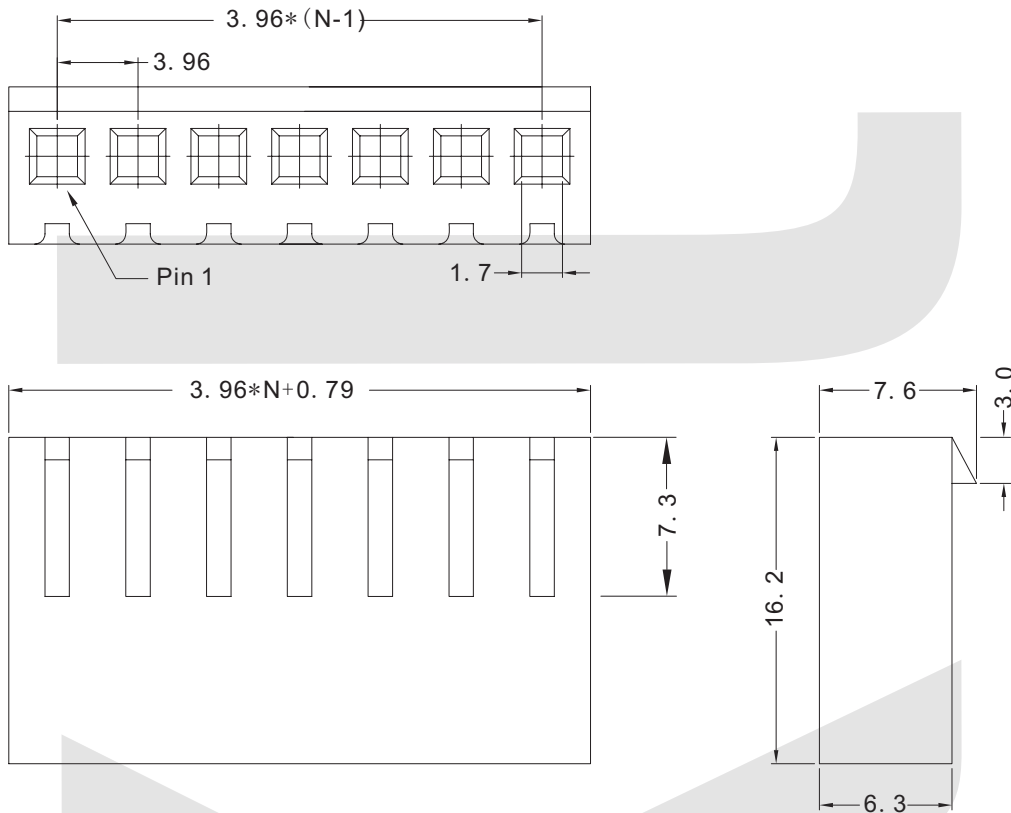
Rated Voltage: 50/250V AC/DC  
 Rated Current: 5A  
 Contact Resistance: 0.02 Ohm max  
 Insulation Resistance: 1000M Ohm min  
 Withstand voltage: 1500V AC/MIN  
 Temperature range for usage : -25°C~+85°C  
 P.C board thickness : 1.6mm

### Material:

Housing: PA66 (PA66) UL94V-2  
 Contacts: Brass or Phosphor Bronze  
 Plating: Tin 50u" over 100u" nickel  
 Wire range : AWG#24#18



### Housing



## ORDER INFORMATION

Product NO.: KLS1-3.96-XX-H

Pitch: 3.96=3.96mm

Type: H=Housing  
S=Straight Male pin

T=Terminal  
R=Right Male pin

PIN Number: 02 ~ 16Pin

**PCB Connector Series**

KLS1-396 Pitch=3.96mm TYPE

**Electrical Specification:**

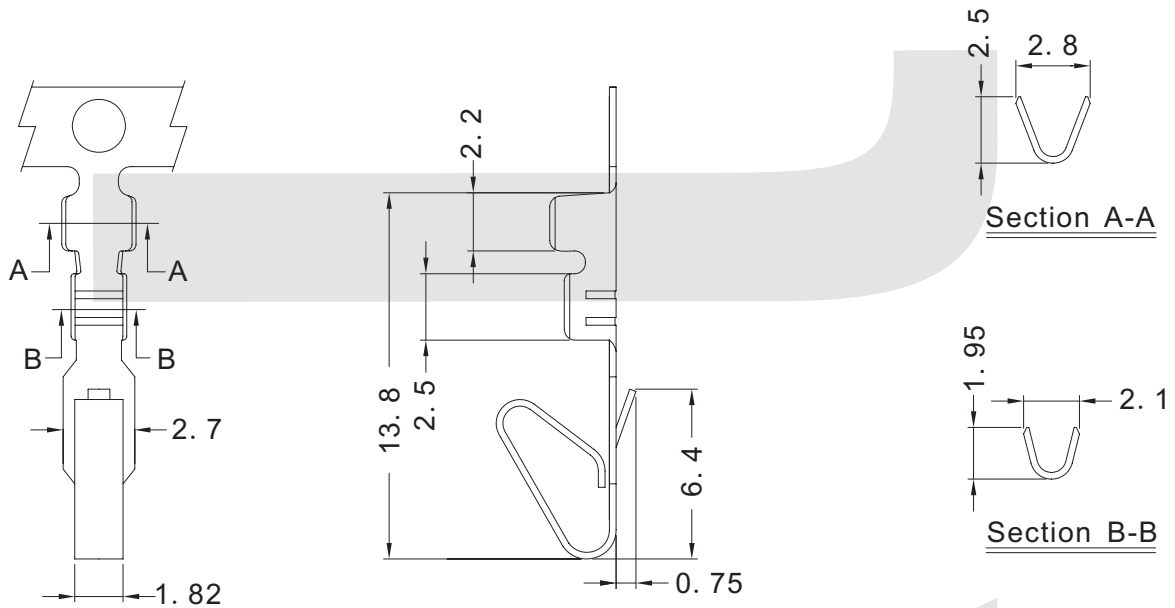
- Rated Voltage: 50/250V AC/DC
- Rated Current: 5A
- Contact Resistance: 0.02 Ohm max
- Insulation Resistance: 1000M Ohm min
- Withstand voltage: 1500V AC/MIN
- Temperature range for usage : -25°C~+85°C
- P.C board thickness : 1.6mm

**Material:**

- Housing: PA66 (PA66) UL94V-2
- Contacts: Brass or Phosphor Bronze
- Plating: Tin 50u" over 100u" nickel
- Wire range : AWG#24#18



**Terminal**



**ORDER INFORMATION**

Product NO.: KLS1-3.96-T

Pitch: 3.96=3.96mm

Type: H=Housing  
S=Straight Male pin  
T=Terminal  
R=Right Male pin

**PCB Connector Series**

KLS1-396 Pitch=3.96mm TYPE

**Electrical Specification:**

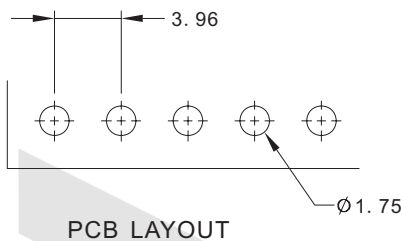
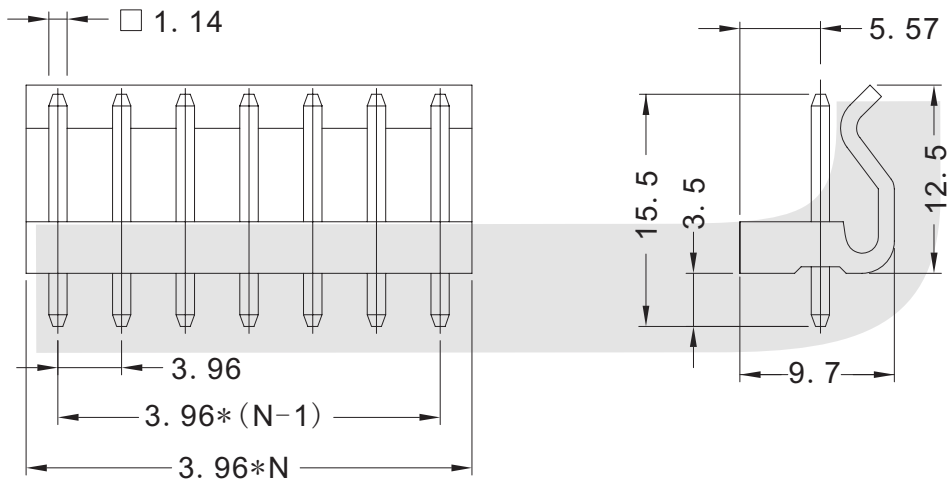
- Rated Voltage: 50/250V AC.DC
- Rated Current: 5A
- Contact Resistance: 0.02 Ohm max
- Insulation Resistance: 1000M Ohm min
- Withstand voltage: 1500V AC/MIN
- Temperature range for usage : -25°C~+85°C
- P.C board thickness : 1.6mm

**Material:**

- Housing: PA66 (PA66) UL94V-2
- Contacts: Brass or Phosphor Bronze
- Plating: Tin 50u" over 100u" nickel
- Wire range : AWG#24#18



**Straight**



**ORDER INFORMATION**

Product NO.: KLS1-3.96-XX-H

Pitch: 3.96=3.96mm

Type: H=Housing  
S=Straight Male pin  
PIN Number: 02 ~ 16Pin

T=Terminal  
R=Right Male pin



## PCB Connector Series

KLS1-396 Pitch=3.96mm TYPE

### Electrical Specification:

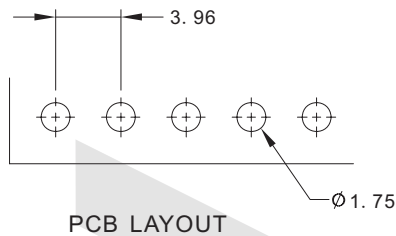
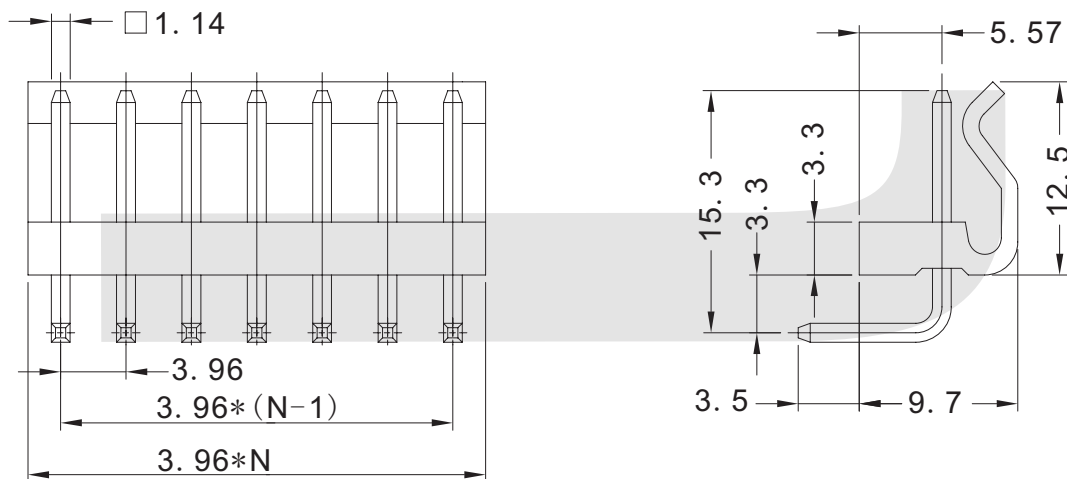
Rated Voltage: 50/250V AC.DC  
 Rated Current: 5A  
 Contact Resistance: 0.02 Ohm max  
 Insulation Resistance: 1000M Ohm min  
 Withstand voltage: 1500V AC/MIN  
 Temperature range for usage : -25°C~+85°C  
 P.C board thickness : 1.6mm

### Material:

Housing: PA66 (PA66) UL94V-2  
 Contacts: Brass or Phosphor Bronze  
 Plating: Tin 50u" over 100u" nickel  
 Wire range : AWG#24#18



### Right angle



## ORDER INFORMATION

Product NO.: KLS1-3.96-XX-H

Pitch: 3.96=3.96mm

Type: H=Housing  
 S=Straight Male pin  
 PIN Number: 02 ~ 16Pin

T=Terminal  
 R=Right Male pin

## PCB Connector Series

KLS1-3.96A Pitch=3.96mm TYPE

### Electrical Specification:

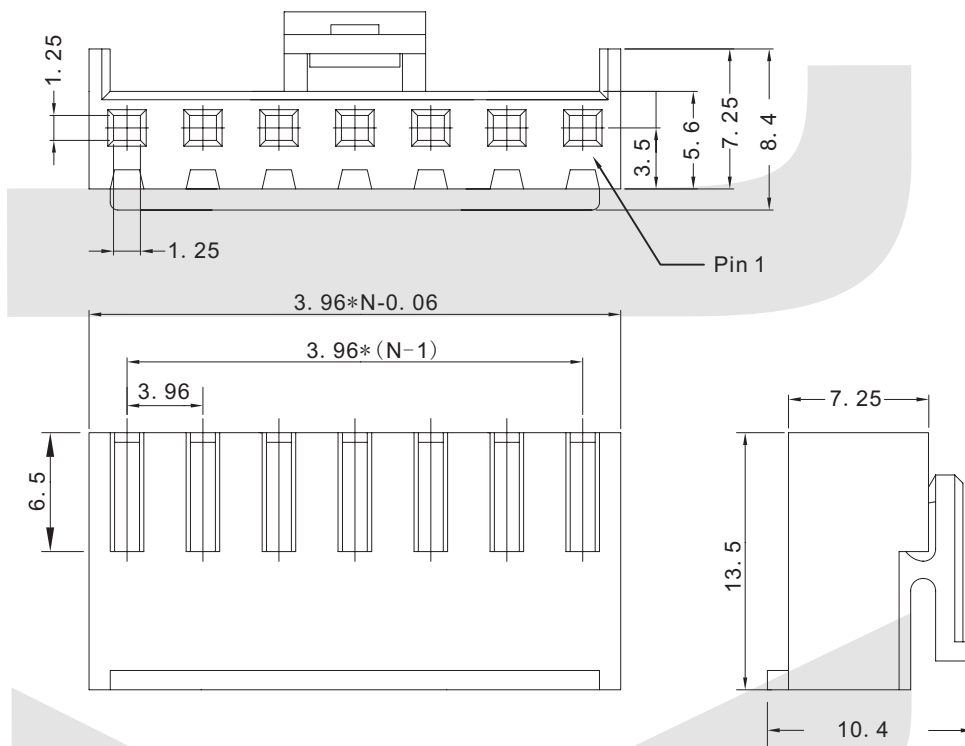
Rated Voltage: 50/250V AC.DC  
 Rated Current: 7A  
 Contact Resistance: 0.02 Ohm max  
 Insulation Resistance: 1000M Ohm min  
 Withstand voltage: 1500V AC/MIN  
 Temperature range for usage : -25°C~+85°C  
 P.C board thickness : 1.6mm

### Material:

Housing: PA66 (PA66) UL94V-2  
 Contacts: Brass or Phosphor Bronze  
 Plating: Tin 50u" over 100u" nickel  
 Wire range : AWG#24#18



### Housing



## ORDER INFORMATION

Product NO.: KLS1-3.96A-XX-H

Pitch: 396A=3.96mm

Type: H=Housing  
S=Straight Male pin

T=Terminal  
R=Right Male pin

PIN Number: 02 ~ 13Pin

## PCB Connector Series

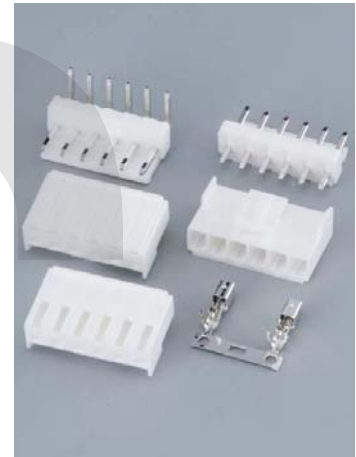
KLS1-3.96A Pitch=3.96mm TYPE

### Electrical Specification:

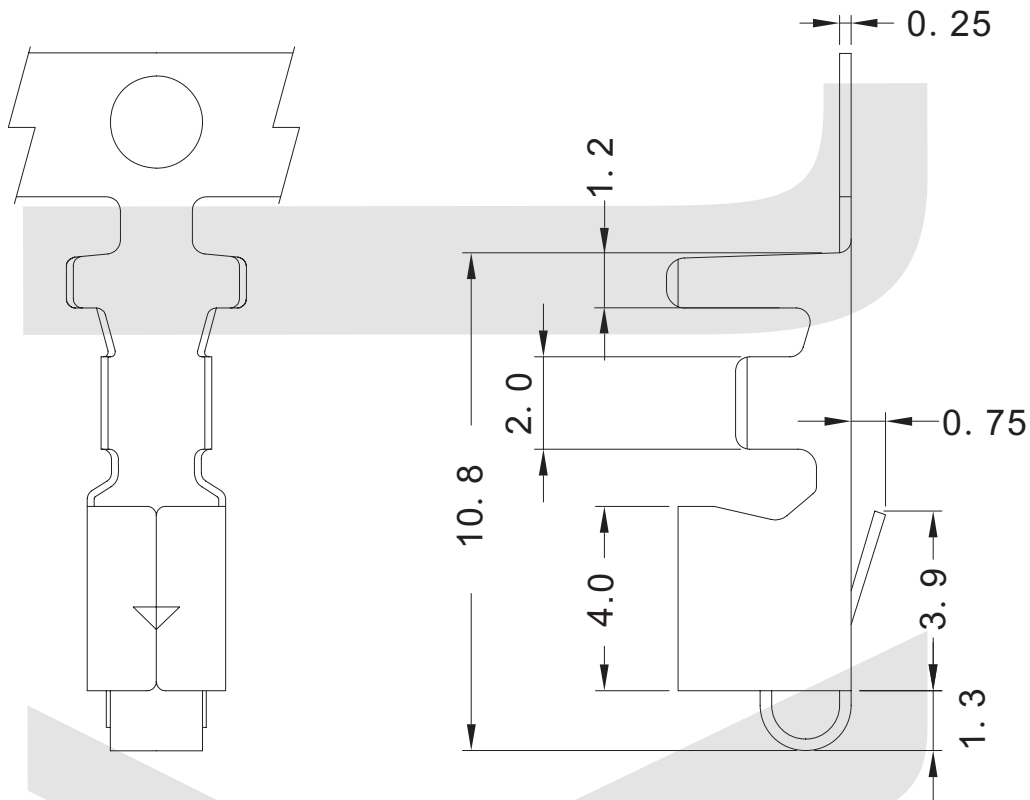
Rated Voltage: 50/250V AC.DC  
Rated Current: 7A  
Contact Resistance: 0.02 Ohm max  
Insulation Resistance: 1000M Ohm min  
Withstand voltage: 1500V AC/MIN  
Temperature range for usage : -25°C~+85°C  
P.C board thickness : 1.6mm

### Material:

Housing: PA66 (PA66) UL94V-2  
Contacts: Brass or Phosphor Bronze  
Plating: Tin 50u" over 100u" nickel  
Wire range : AWG#24#18



### Terminal



## ORDER INFORMATION

Product NO.: KLS1-3.96A-T

Pitch: 396A=3.96mm

Type: H=Housing  
S=Straight Male pin  
T=Terminal  
R=Right Male pin

## PCB Connector Series

KLS1-3.96A Pitch=3.96mm TYPE

### Electrical Specification:

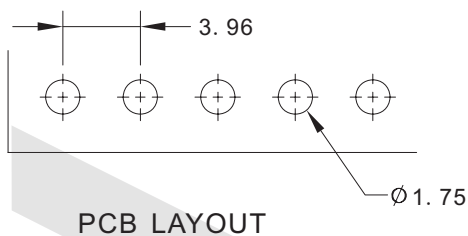
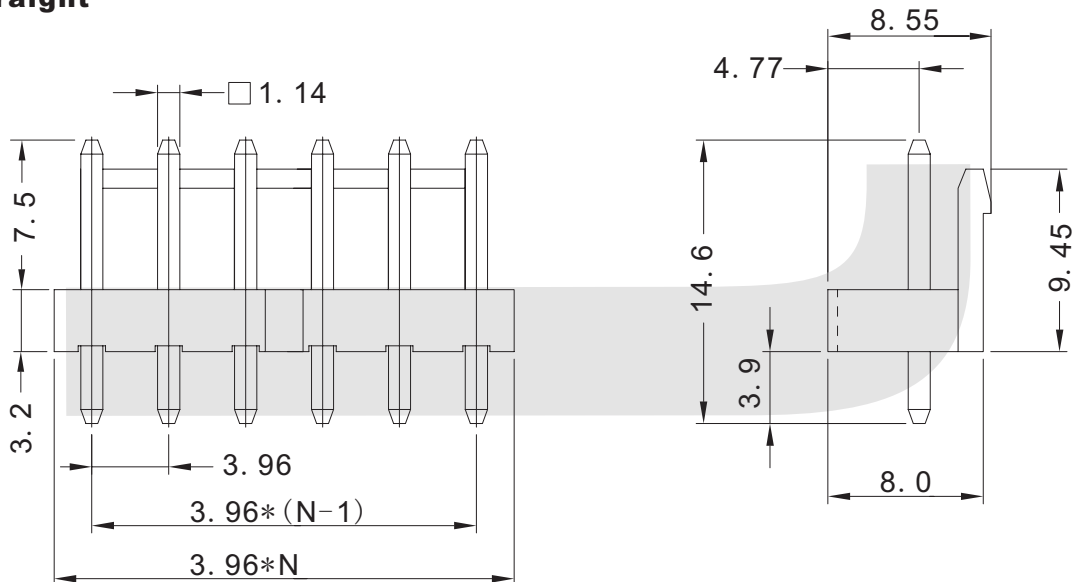
Rated Voltage: 50/250V AC.DC  
 Rated Current: 7A  
 Contact Resistance: 0.02 Ohm max  
 Insulation Resistance: 1000M Ohm min  
 Withstand voltage: 1500V AC/MIN  
 Temperature range for usage : -25°C~+85°C  
 P.C board thickness : 1.6mm

### Material:

Housing: PA66 (PA66) UL94V-2  
 Contacts: Brass or Phosphor Bronze  
 Plating: Tin 50u" over 100u" nickel  
 Wire range : AWG#24#18



### Straight



## ORDER INFORMATION

Product NO.: KLS1-3.96A-XX-S

Pitch: 396A=3.96mm

Type: H=Housing  
S=Straight Male pin

T=Terminal  
R=Right Male pin

PIN Number: 02 ~ 13Pin

## PCB Connector Series

KLS1-3.96A Pitch=3.96mm TYPE

### Electrical Specification:

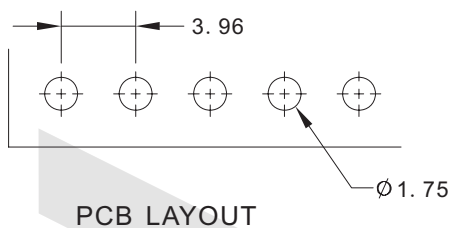
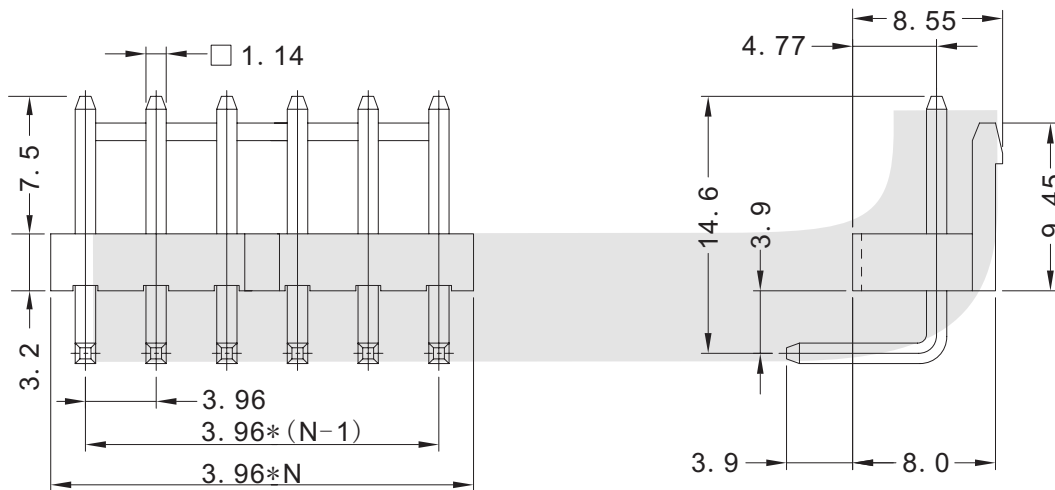
Rated Voltage: 50/250V AC.DC  
 Rated Current: 7A  
 Contact Resistance: 0.02 Ohm max  
 Insulation Resistance: 1000M Ohm min  
 Withstand voltage: 1500V AC/MIN  
 Temperature range for usage : -25°C~+85°C  
 P.C board thickness : 1.6mm

### Material:

Housing: PA66 (PA66) UL94V-2  
 Contacts: Brass or Phosphor Bronze  
 Plating: Tin 50u" over 100u" nickel  
 Wire range : AWG#24#18



### Right angle



## ORDER INFORMATION

Product NO.: KLS1-3.96A-XX-R

Pitch: 396A=3.96mm

Type: H=Housing  
S=Straight Male pin

T=Terminal  
R=Right Male pin

PIN Number: 02 ~ 13Pin

# PCB Connector

## PCB Connector Series

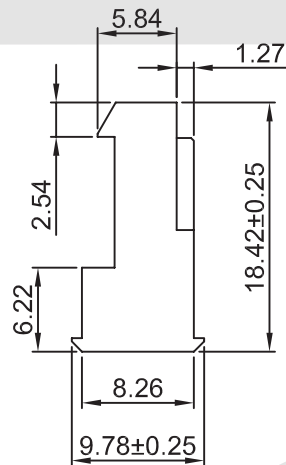
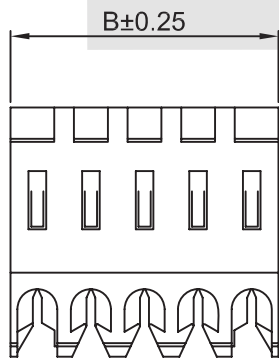
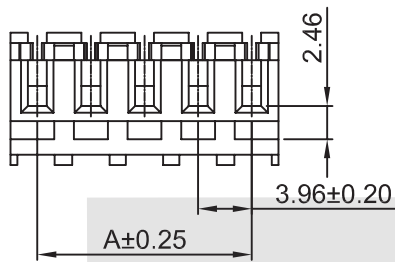
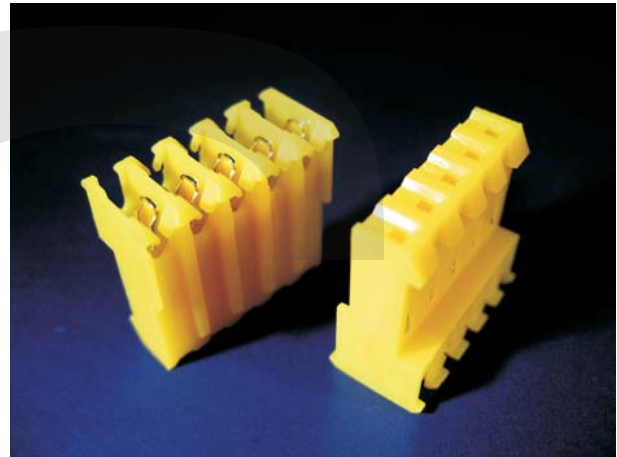
KLS1-MT-3.96 Pitch=3.96mm TYPE

### Electrical Specification:

Rated Voltage: 250V AC/DC  
 Rated Current: 7A  
 Contact Resistance: 10mΩ max  
 Insulation Resistance: 1000MΩ min  
 Withstand voltage: 1500V AC/MIN  
 Temperature range for usage : -40°C~+105°C

### Material:

Housing: PA66 UL94V-2  
 Contacts: Phosphor bronze  
 Plating: Tin 50u" over 100u" nickel



PART NO.	Dimensions	
	A	B
02	3.96	7.92
03	7.92	11.88
04	11.88	15.84
05	15.84	19.80
06	19.80	23.76
07	23.76	27.72
08	27.72	31.68
09	31.68	35.64
10	35.64	39.60
11	39.60	43.56
12	43.56	47.52
13	47.52	51.48
14	51.48	55.44
15	55.44	59.40
16	59.40	63.36
17	63.36	67.32
18	67.32	71.28
19	71.28	75.24
20	75.24	79.20
21	79.20	83.16
22	83.16	87.12
23	87.12	91.08
24	91.08	95.04

## ORDER INFORMATION

Product NO.: KLS1-MT-3.96-XX-R

Series No. \_\_\_\_\_  
 Pitch: 3.96=3.96mm

O -Orange=18 AWG      R -Red=22 AWG  
 Y -Yellow=20 AWG    W -White=24 AWG  
 BL-Blue=26 AWG      BK-Black=18 ~ 26 AWG  
 PIN Number: 2 ~ 24Pin

## PCB Connector Series

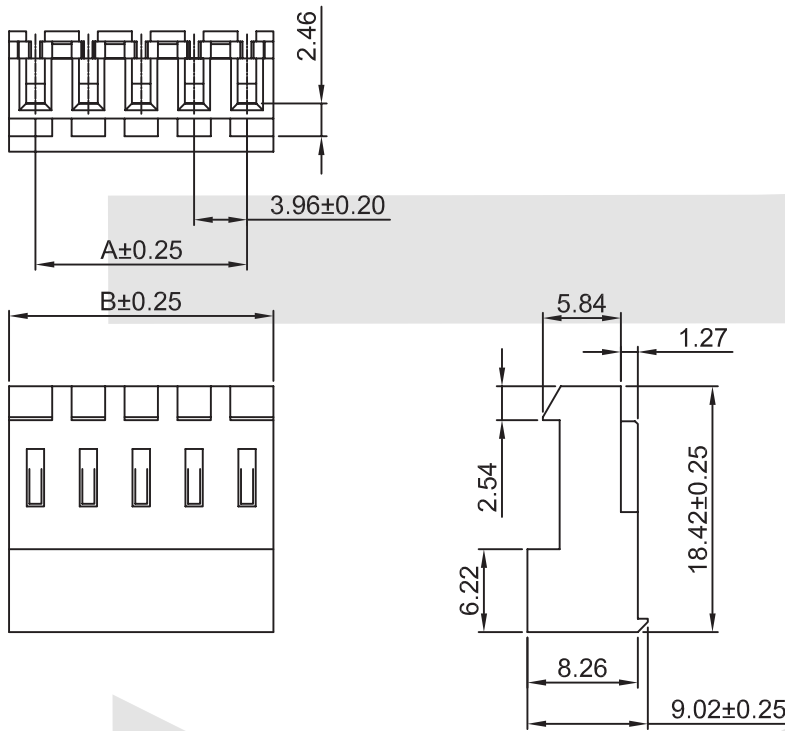
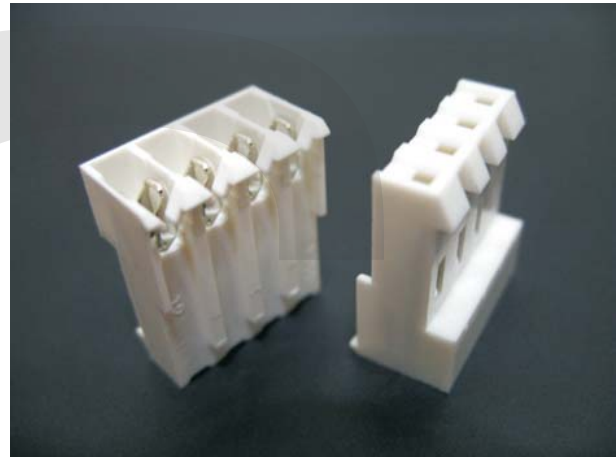
KLS1-MA-3.96 Pitch=3.96mm TYPE

### Electrical Specification:

Rated Voltage: 250V AC/DC  
 Rated Current: 7A  
 Contact Resistance: 10mΩ max  
 Insulation Resistance: 1000MΩ min  
 Withstand voltage: 1500V AC/MIN  
 Temperature range for usage : -40°C~+105°C

### Material:

Housing: PA66 UL94V-2  
 Contacts: Phosphor bronze  
 Plating: Tin 50u" over 100u" nickel



PART NO.	Dimensions	
	A	B
02	3.96	7.92
03	7.92	11.88
04	11.88	15.84
05	15.84	19.80
06	19.80	23.76
07	23.76	27.72
08	27.72	31.68
09	31.68	35.64
10	35.64	39.60
11	39.60	43.56
12	43.56	47.52
13	47.52	51.48
14	51.48	55.44
15	55.44	59.40
16	59.40	63.36
17	63.36	67.32
18	67.32	71.28
19	71.28	75.24
20	75.24	79.20
21	79.20	83.16
22	83.16	87.12
23	87.12	91.08
24	91.08	95.04

## ORDER INFORMATION

Product NO.: KLS1-MA-3.96-XX-R

Series No. \_\_\_\_\_  
 Pitch: 3.96=3.96mm

O -Orange=18 AWG      R -Red=22 AWG  
 Y -Yellow=20 AWG    W -White=24 AWG  
 BL-Blue=26 AWG      BK-Black=18 ~ 26 AWG  
 PIN Number: 2 ~ 24Pin

**PCB Connector Series**

KLS1-XM1-450 Pitch=4.50mm TYPE

**Electrical Specification:**

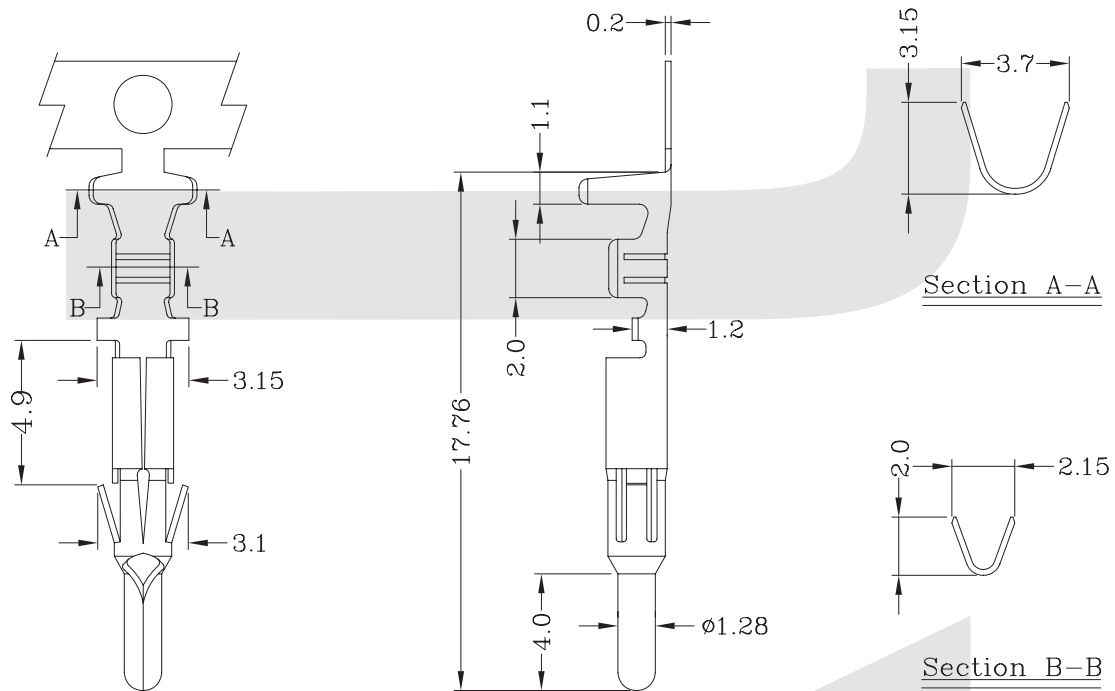
- Rated Voltage: 300V AC/DC
- Rated Current: 10A
- Contact Resistance: 0.015Ω max
- Insulation Resistance: 1000MΩ min
- Withstand voltage: 1500V AC/MIN
- Temperature range for usage : -40°C~+105°C

**Material:**

- Contacts: Phosphor Bronze
- Plating: Tin 50u" over 100u" nickel
- Wire range : AWG#24~#20



**Male Terminal**



**ORDER INFORMATION**

Product NO.: KLS1-XM1-4.50-MT

Series No. \_\_\_\_\_ Type: FH=Female Housing MT=Male Terminal  
 Pitch: 4.50=4.50mm \_\_\_\_\_ MH=Male Housing FT=Female Terminal



**PCB Connector Series**

KLS1-XM1-450 Pitch=4.50mm TYPE

**Electrical Specification:**

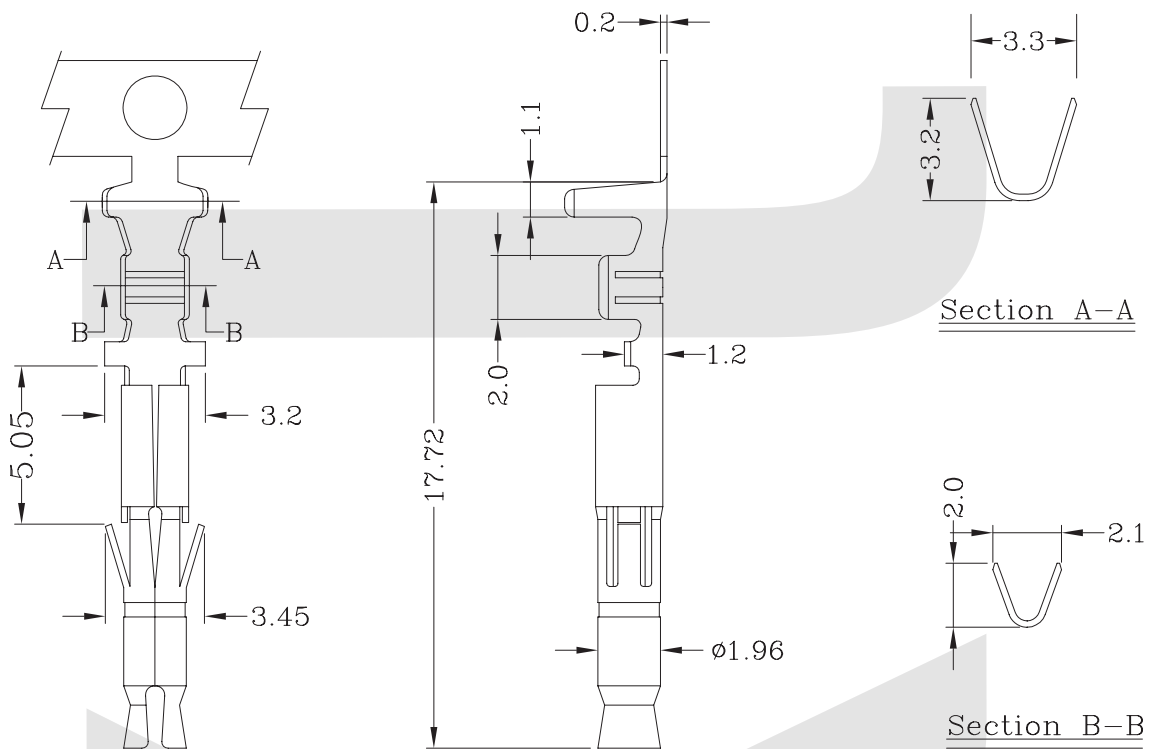
- Rated Voltage: 300V AC/DC
- Rated Current: 10A
- Contact Resistance: 0.015Ω max
- Insulation Resistance: 1000MΩ min
- Withstand voltage: 1500V AC/MIN
- Temperature range for usage : -40°C~+105°C

**Material:**

- Contacts: Phosphor Bronze
- Plating: Tin 50u" over 100u" nickel
- Wire range : AWG#24~#20



**Female Terminal**



**ORDER INFORMATION**

Product NO.: KLS1-XM1-4.50-FT

Series No. \_\_\_\_\_  
Pitch: 4.50=4.50mm \_\_\_\_\_

Type: FH=Female Housing    MT=Male Terminal  
         MH=Male Housing      FT=Female Terminal

## PCB Connector Series

KLS1-XM1-450 Pitch=4.50mm TYPE

### Electrical Specification:

Rated Voltage: 300V AC/DC  
 Rated Current: 10A  
 Contact Resistance: 0.015Ω max  
 Insulation Resistance: 1000MΩ min  
 Withstand voltage: 1500V AC/MIN  
 Temperature range for usage : -40°C~+105°C

### Material:

Housing: PA66 (PA66) UL94V-2  
 Wire range : AWG#24~#20



Female Housing	Male Housing
<p>1x2P</p>	<p>1x2P</p>
<p>1x3P</p>	<p>1x3P</p>
<p>1x4P</p>	<p>1x4P</p>
<p>2x2P</p>	<p>2x2P</p>

## ORDER INFORMATION

Product NO.: KLS1-XM1-4.50-1x2-FH

Series No. \_\_\_\_\_  
 Pitch: 4.50=4.50mm \_\_\_\_\_

Type: FH=Female Housing MT=Male Terminal  
 MH=Male Housing FT=Female Terminal  
 No. of Pins: 1-Single layer 2-Double layer  
 3-Three Double layer  
 Poles: 1X2 1X3 1X4 2X2 2X3 3X3 3X4 3X5

## PCB Connector Series

KLS1-XM1-450 Pitch=4.50mm TYPE

### Electrical Specification:

- Rated Voltage: 300V AC/DC
- Rated Current: 10A
- Contact Resistance: 0.015Ω max
- Insulation Resistance: 1000MΩ min
- Withstand voltage: 1500V AC/MIN
- Temperature range for usage : -40°C~+105°C

### Material:

- Housing: PA66 (PA66) UL94V-2
- Wire range : AWG#24~#20



Female Housing	Male Housing
<p>2x3P</p>	<p>2x3P</p>
<p>3x3P</p>	<p>3x3P</p>
<p>3x4P</p>	<p>3x4P</p>
<p>3x5P</p>	<p>3x5P</p>

## ORDER INFORMATION

Product NO.: KLS1-XM1-4.50-1X2-FH

Series No. \_\_\_\_\_

Pitch: 4.50=4.50mm \_\_\_\_\_

Type: FH=Female Housing MT=Male Terminal  
MH=Male Housing FT=Female Terminal

No. of Pins: 1-Single layer 2-Double layer  
3-Three Double layer

Poles: 1X2 1X3 1X4 2X2 2X3 3X3 3X4 3X5

**PCB Connector Series**

KLS1-5.03 Pitch=5.03mm TYPE

**Electrical Specification:**

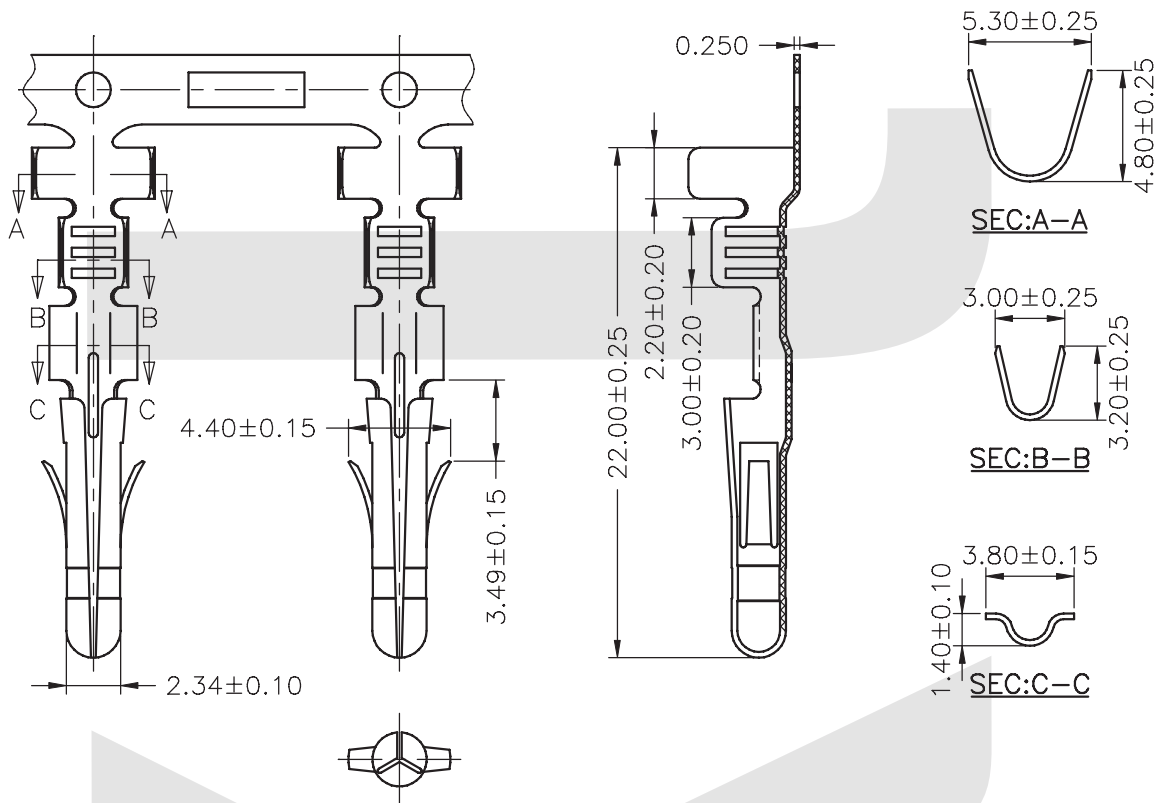
- Voltage rating: 300V. AC / DC
- Current rating: 12A
- Contact resistance: 0.01Ω max
- Insulator resistance: 1000MΩ min
- Withstand voltage: 1500V AC / MIN
- Temperature range for usage : -40°C~+105°C

**Material:**

- Contacts: Phosphor Bronze
- Plating: Tin 50u" over 100u" nickel
- Wire range : AWG#24~#20



**Male Terminal**



**ORDER INFORMATION**

Product NO.: KLS1-5.03-MT

Pitch: 5.03=5.03mm

Type: FH=Female Housing MT=Male Terminal  
MH=Male Housing FT=Female Terminal

**PCB Connector Series**

KLS1-5.03 Pitch=5.03mm TYPE

**Electrical Specification:**

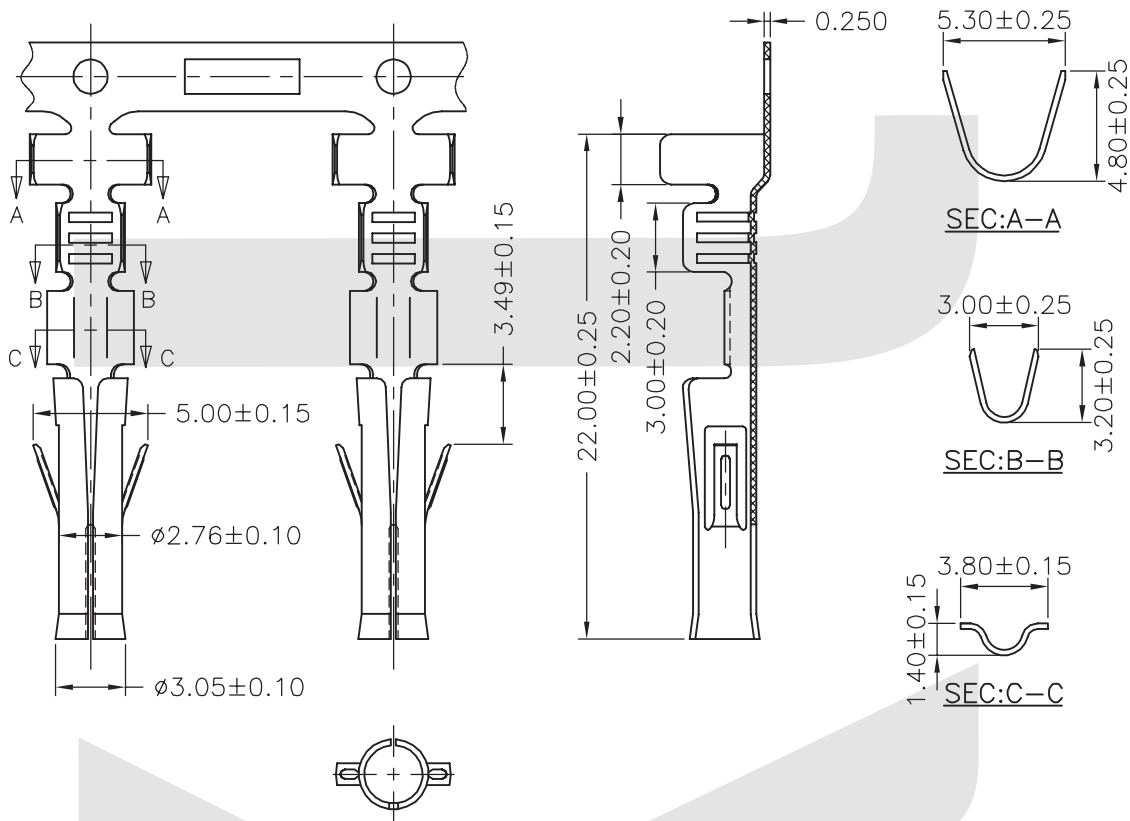
- Voltage rating: 300V. AC / DC
- Current rating: 12A
- Contact resistance: 0.01Ω max
- Insulator resistance: 1000MΩ min
- Withstand voltage: 1500V AC / MIN
- Temperature range for usage : -40°C~+105°C

**Material:**

- Contacts: Phosphor Bronze
- Plating: Tin 50u" over 100u" nickel
- Wire range : AWG#24~#20



**Female Terminal**



**ORDER INFORMATION**

Product NO.: KLS1-5.03-FT

Pitch: 5.03=5.03mm

Type: FH=Female Housing MT=Male Terminal  
MH=Male Housing FT=Female Terminal

## PCB Connector Series

KLS1-5.03 Pitch=5.03mm TYPE

### Electrical Specification:

- Voltage rating: 300V. AC / DC
- Current rating: 12A
- Contact resistance: 0.01Ω max
- Insulator resistance: 1000MΩ min
- Withstand voltage: 1500V AC / MIN
- Temperature range for usage : -40°C~+105°C

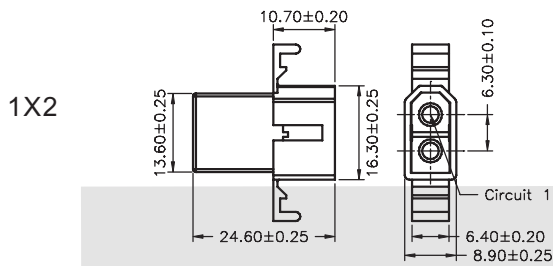
### Material:

- Housing: PA66 (PA66) UL94V-2
- Wire range : AWG#24~#20



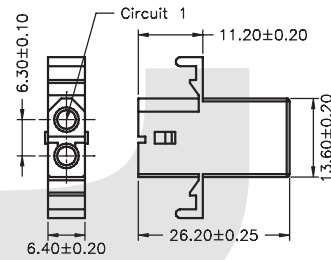
### Male Housing

MH  
MHA (WITHOUT MOUNTING EAR)

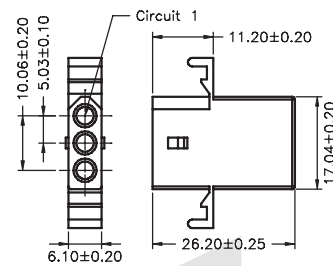
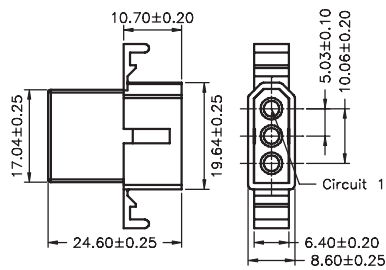


### Female Housing

FH  
FHA (WITHOUT MOUNTING EAR)



1X3



## ORDER INFORMATION

Product NO.: KLS1-5.03-1X2-FH

Pitch: 5.03=5.03mm

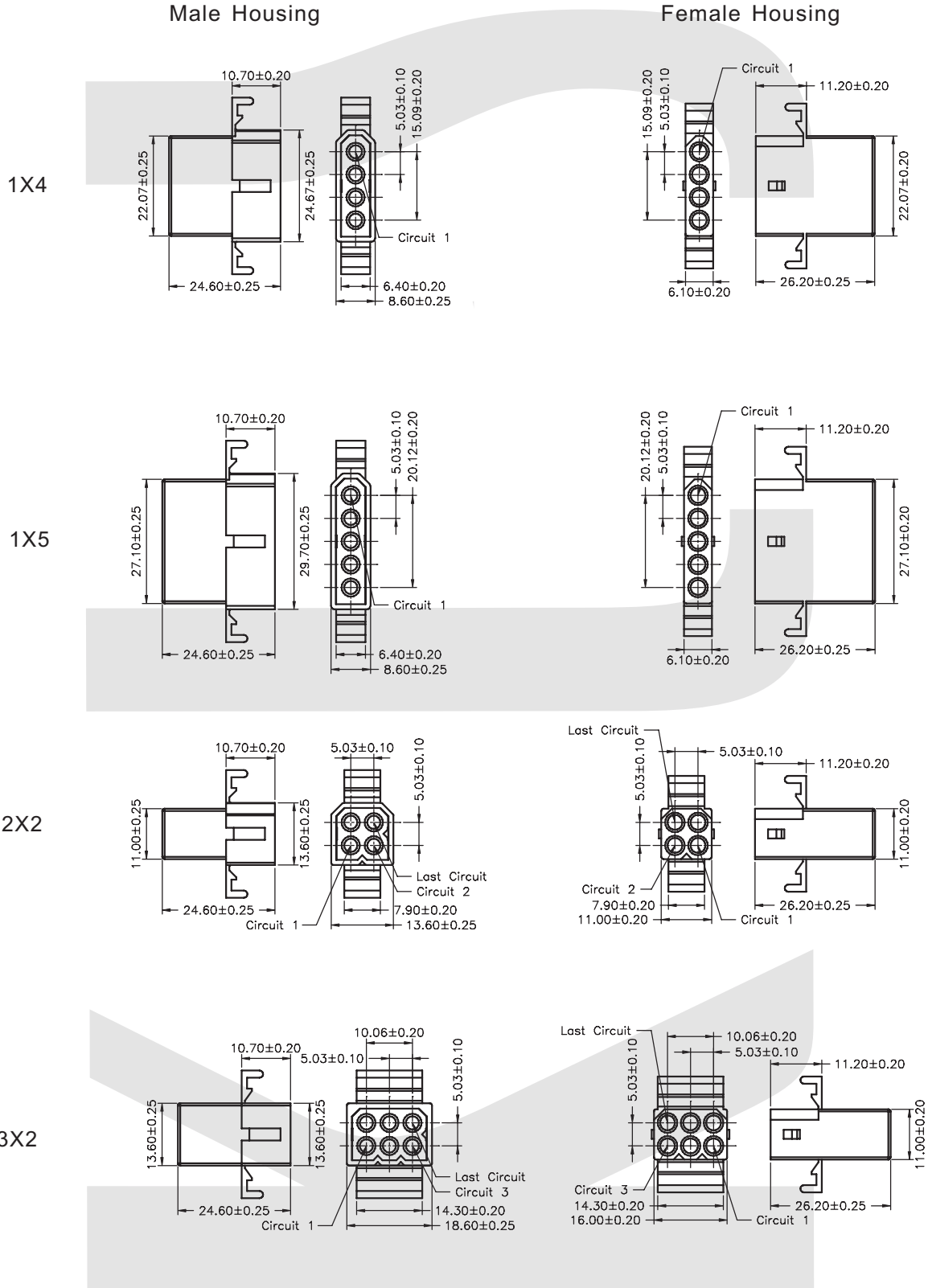
Type: FH=Female Housing MT=Male Termina  
MH=Male Housing FT=Female Terminall

No. of Pins: 1-Single layer 2-Double layer  
3-Sthree Double layer

Poles:1X2 1X3 1X4 1X5 2X2 3X2 3X3 3X4 3X5

**PCB Connector Series**

KLS1-5.03 Pitch=5.03mm TYPE



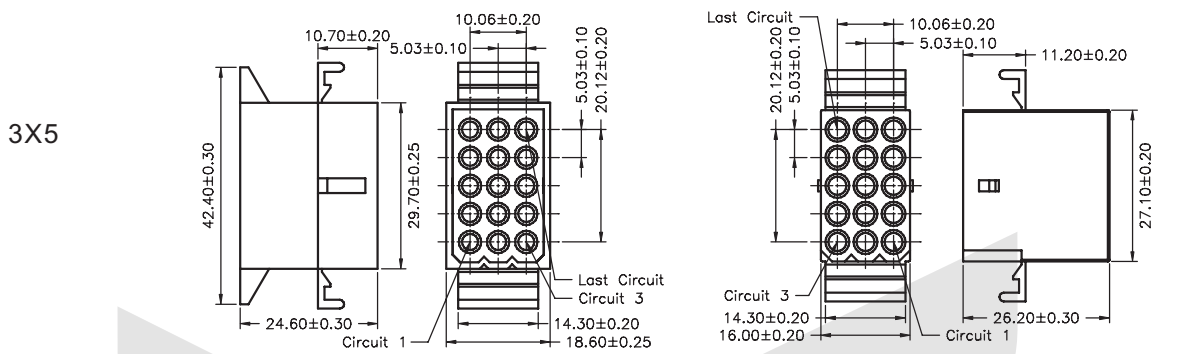
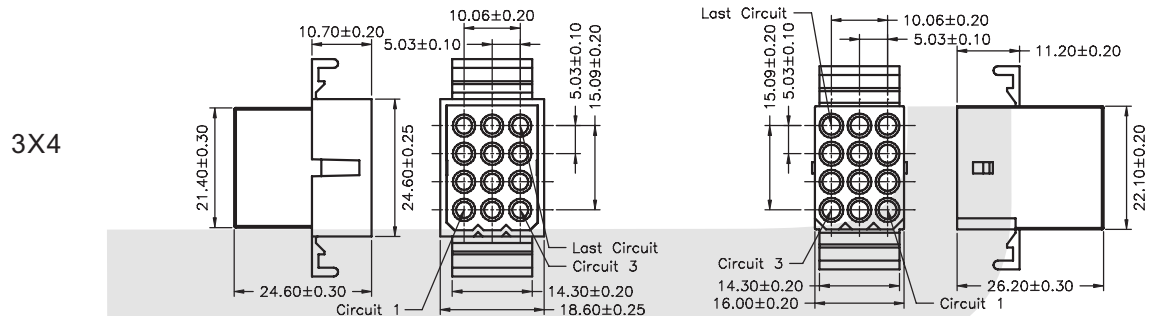
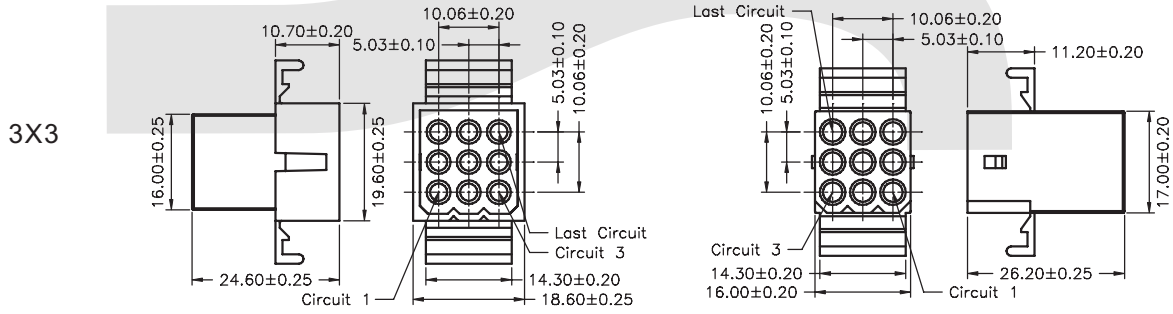
**PCB Connector Series**

KLS1-5.03 Pitch=5.03mm TYPE



Male Housing

Female Housing





**PCB Connector Series**

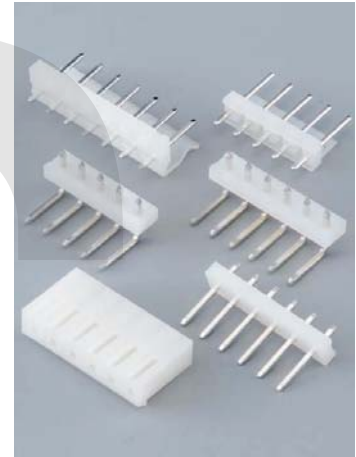
KLS1-5.08 Pitch=5.08mm TYPE

**Electrical Specification:**

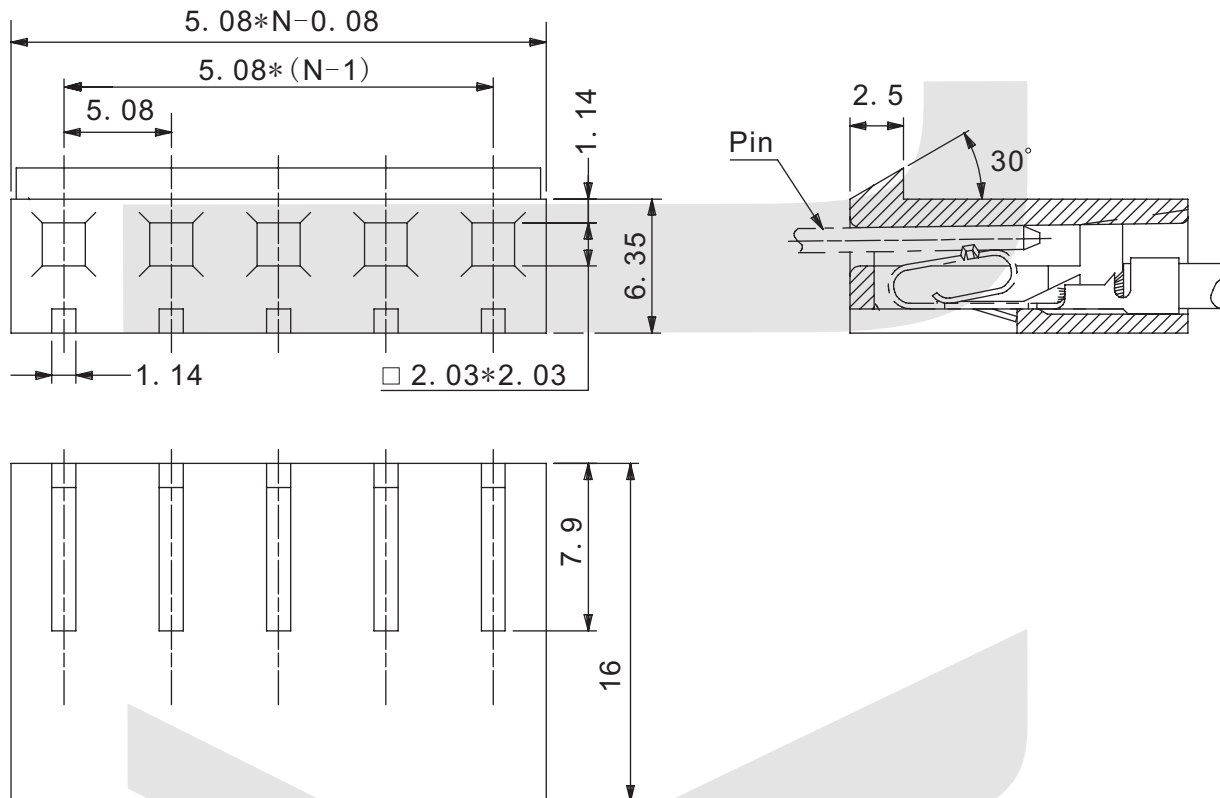
- Rated Voltage: 250V AC/DC
- Rated Current: 5A
- Contact Resistance: 0.02 Ohm max
- Insulation Resistance: 1000M Ohm min
- Withstand voltage: 1500V AC/MIN
- Temperature range for usage : -25°C~+85°C
- P.C board thickness : 1.6mm

**Material:**

- Housing: PA66 (PA66) UL94V-2
- Contacts: Brass or Phosphor Bronze
- Plating: Tin 50u" over 100u" nickel
- Wire range : AWG#24~#18



**Housing**



**ORDER INFORMATION**

Product NO.: KLS1-5.08-XX-H

Pitch: 5.08=5.08mm

Type: H=Housing  
S=Straight Male pin

T=Terminal  
R=Right Male pin

PIN Number: 02 ~ 14Pin

**PCB Connector Series**

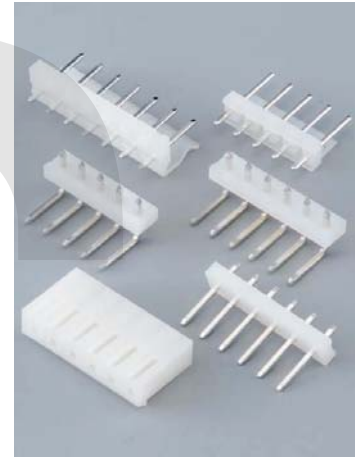
KLS1-5.08 Pitch=5.08mm TYPE

**Electrical Specification:**

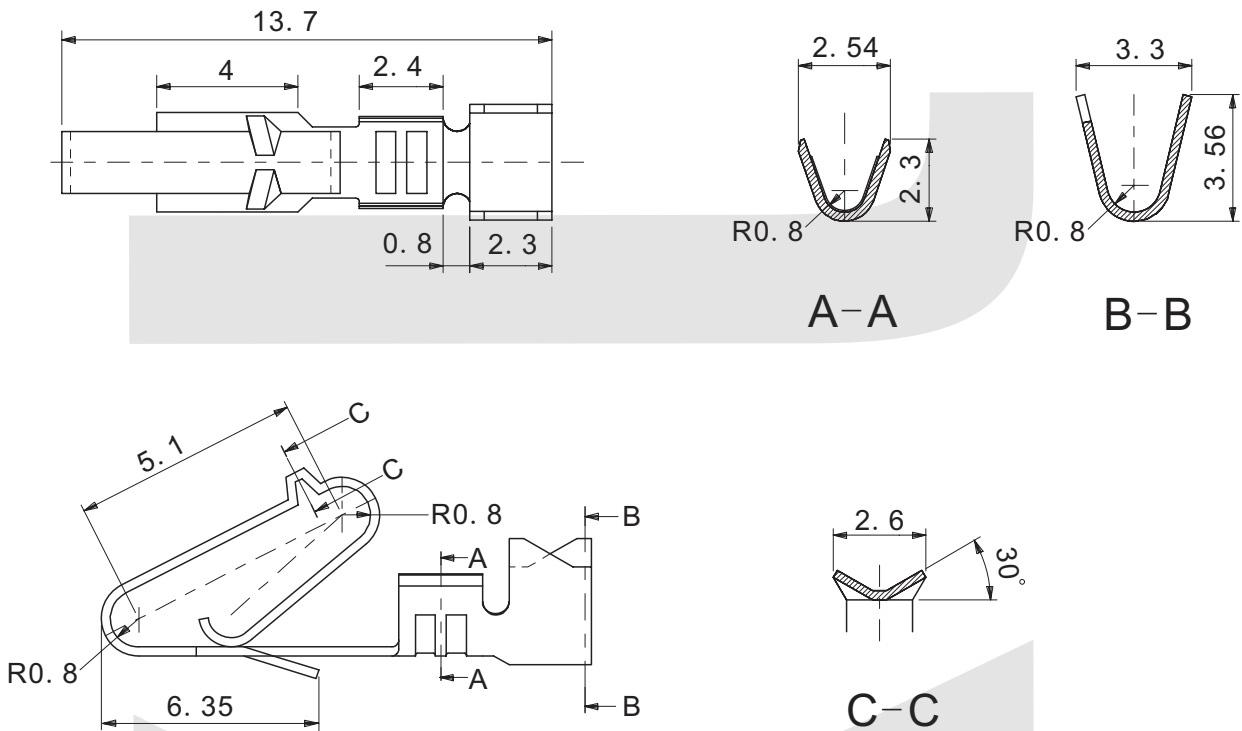
- Rated Voltage: 250V AC.DC
- Rated Current: 5A
- Contact Resistance: 0.02 Ohm max
- Insulation Resistance: 1000M Ohm min
- Withstand voltage: 1500V AC/MIN
- Temperature range for usage : -25°C~+85°C
- P.C board thickness : 1.6mm

**Material:**

- Housing: PA66 (PA66) UL94V-2
- Contacts: Brass or Phosphor Bronze
- Plating: Tin 50u" over 100u" nickel
- Wire range : AWG#24~#18



**Terminal**



**ORDER INFORMATION**

Product NO.: KLS1-5.08-T

Pitch: 5.08=5.08mm

Type: H=Housing  
S=Straight Male pin  
T=Terminal  
R=Right Male pin

**PCB Connector Series**

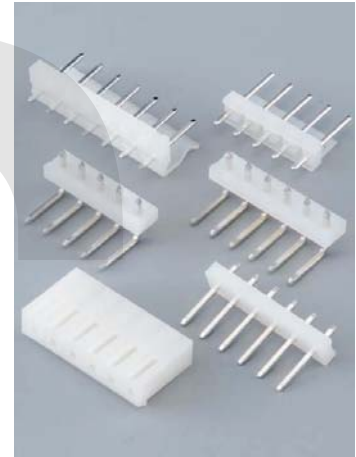
KLS1-5.08 Pitch=5.08mm TYPE

**Electrical Specification:**

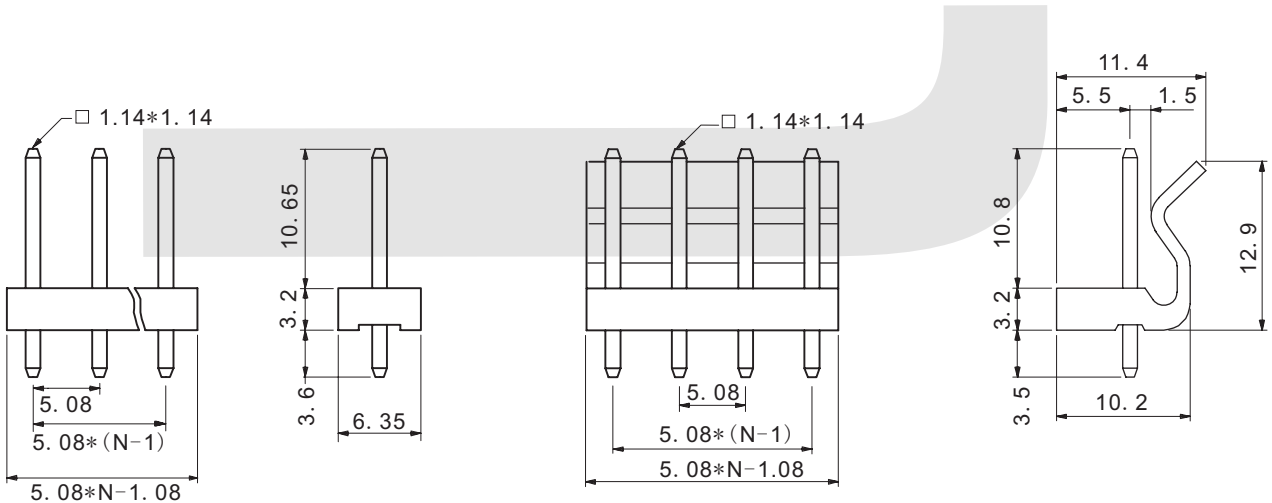
- Rated Voltage: 250V AC/DC
- Rated Current: 5A
- Contact Resistance: 0.02 Ohm max
- Insulation Resistance: 1000M Ohm min
- Withstand voltage: 1500V AC/MIN
- Temperature range for usage : -25°C~+85°C
- P.C board thickness : 1.6mm

**Material:**

- Housing: PA66 (PA66) UL94V-2
- Contacts: Brass or Phosphor Bronze
- Plating: Tin 50u" over 100u" nickel
- Wire range : AWG#24~#18



**Straight**



SA Type

S Type

**ORDER INFORMATION**

Product NO.: KLS1-5.08-XX- S

Pitch: 5.08=5.08mm

Type: H=Housing  
S=Straight Male pin

T=Terminal  
R=Right Male pin

PIN Number: 02 ~ 14Pin

**PCB Connector Series**

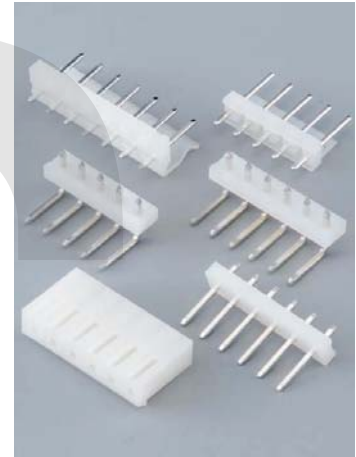
KLS1-5.08 Pitch=5.08mm TYPE

**Electrical Specification:**

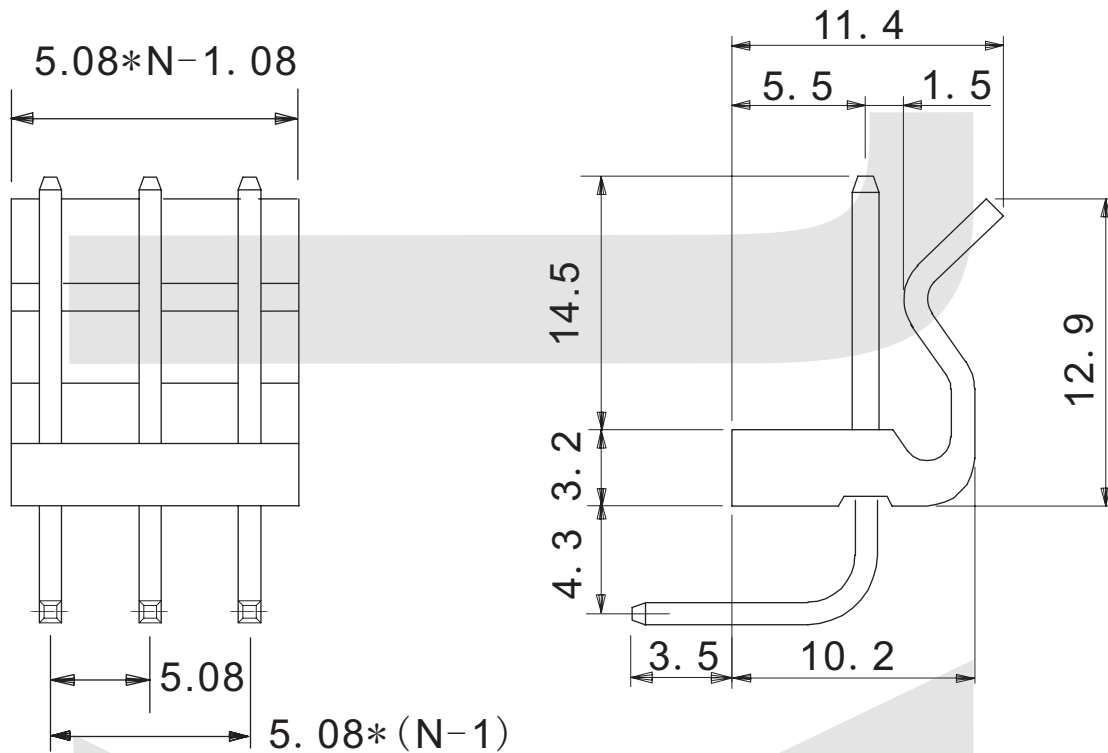
- Rated Voltage: 250V AC.DC
- Rated Current: 5A
- Contact Resistance: 0.02 Ohm max
- Insulation Resistance: 1000M Ohm min
- Withstand voltage: 1500V AC/MIN
- Temperature range for usage : -25°C~+85°C
- P.C board thickness : 1.6mm

**Material:**

- Housing: PA66 (PA66) UL94V-2
- Contacts: Brass or Phosphor Bronze
- Plating: Tin 50u" over 100u" nickel
- Wire range : AWG#24~#18



**Right Male**



**ORDER INFORMATION**

Product NO.: KLS1-5.08-XX-R

Pitch: 5.08=5.08mm

Type: H=Housing  
S=Straight Male pin  
PIN Number: 02 ~ 14Pin

T=Terminal  
R=Right Male pin

## PCB Connector Series

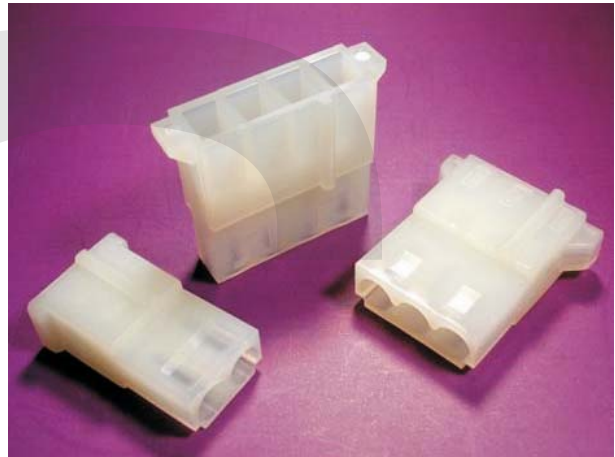
KLS1-XL1-5.08 Pitch=5.08mm TYPE

### Electrical Specification:

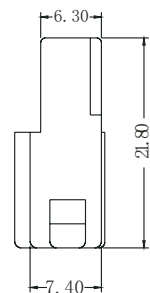
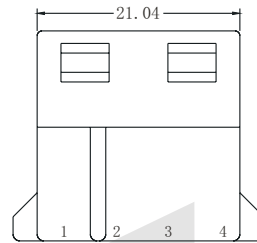
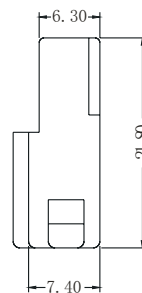
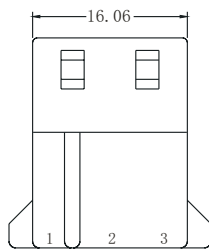
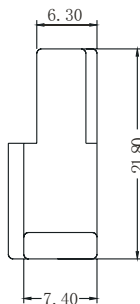
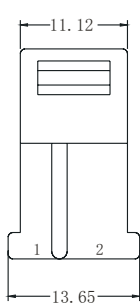
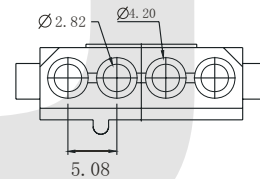
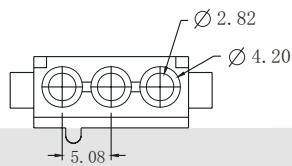
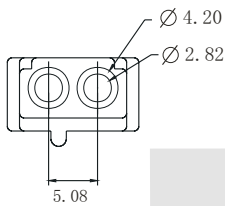
Rated Voltage: 250V AC/DC  
 Rated Current: 5A  
 Contact Resistance: 0.01Ω max  
 Insulation Resistance: 1000MΩ min  
 Withstand voltage: 500V AC/MIN  
 Temperature range for usage : -40°C~+105°C

### Material:

Housing: PA66 (PA66) UL94V-2  
 Contacts: Phosphor Bronze  
 Plating: Tin 50u" over 100u" nickel  
 Wire range : AWG#30~#22



### Male Housing



## ORDER INFORMATION

Product NO.: KLS1-XL1-5.08-04-MH

Series No. \_\_\_\_\_  
 Pitch: 5.08=5.08mm \_\_\_\_\_

Type: MH=Male Housing FT=Female Terminal  
 FH=Female Housing MT=Male Terminal  
 S=Straight pin R=Right pin  
 Pin Number: 2Pin 3Pin 4Pin

## PCB Connector Series

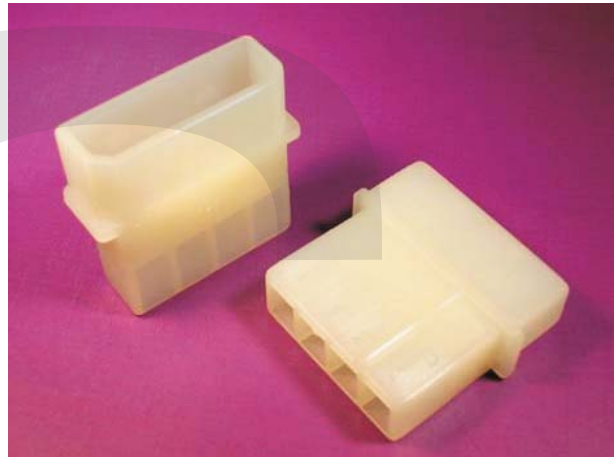
KLS1-XL1-5.08 Pitch=5.08mm TYPE

### Electrical Specification:

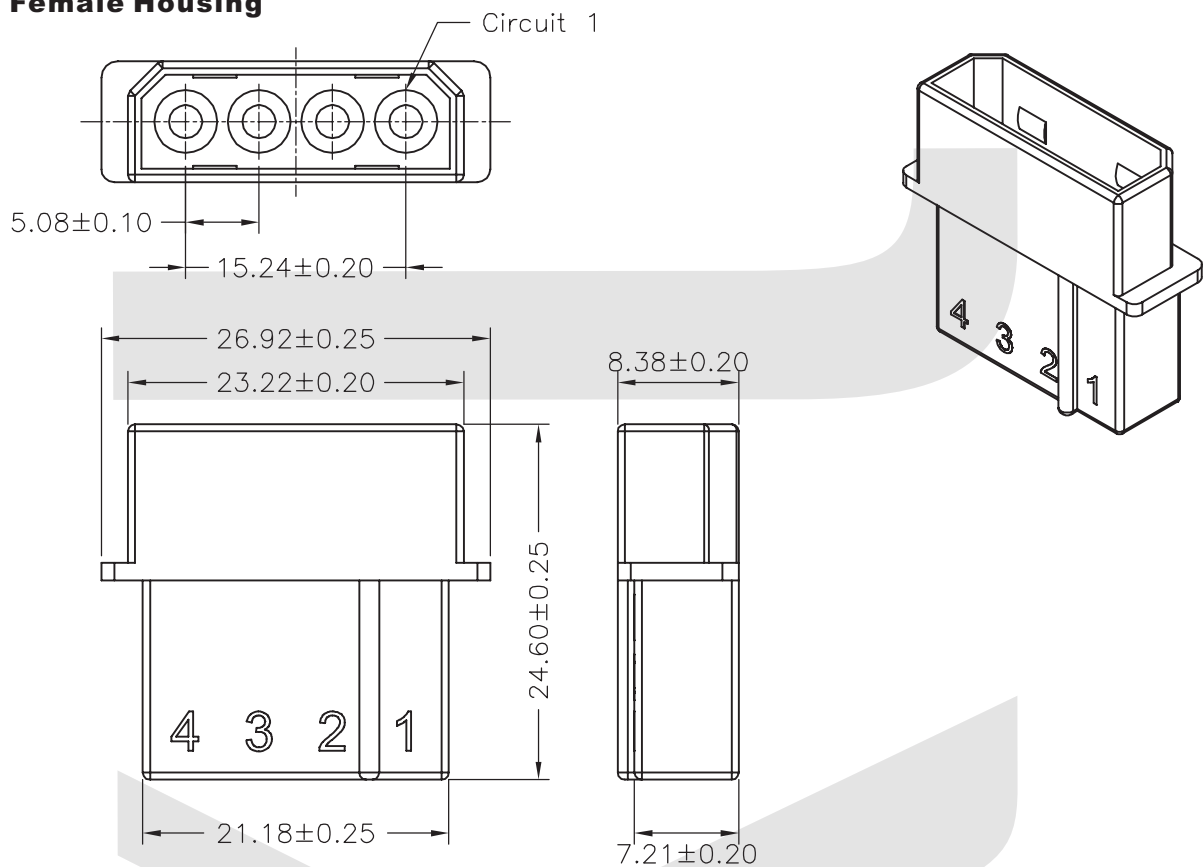
Rated Voltage: 250V AC/DC  
 Rated Current: 5A  
 Contact Resistance: 0.01Ω max  
 Insulation Resistance: 1000MΩ min  
 Withstand voltage: 500V AC/MIN  
 Temperature range for usage : -40°C~+105°C

### Material:

Housing: PA66 (PA66) UL94V-2  
 Contacts: Phosphor Bronze  
 Plating: Tin 50u" over 100u" nickel  
 Wire range : AWG#30~#22



### Female Housing



## ORDER INFORMATION

Product NO.: KLS1-XL1-5.08-04- FH

Series No. \_\_\_\_\_  
 Pitch: 5.08=5.08mm \_\_\_\_\_

Type: MH=Male Housing      FT=Female Terminal  
 FH=Female Housing      MT=Male Terminal  
 S=Straight pin              R=Right pin  
 Pin Number: 2Pin    3Pin    4Pin

**PCB Connector Series**

KLS1-XL1-5.08 Pitch=5.08mm TYPE

**Electrical Specification:**

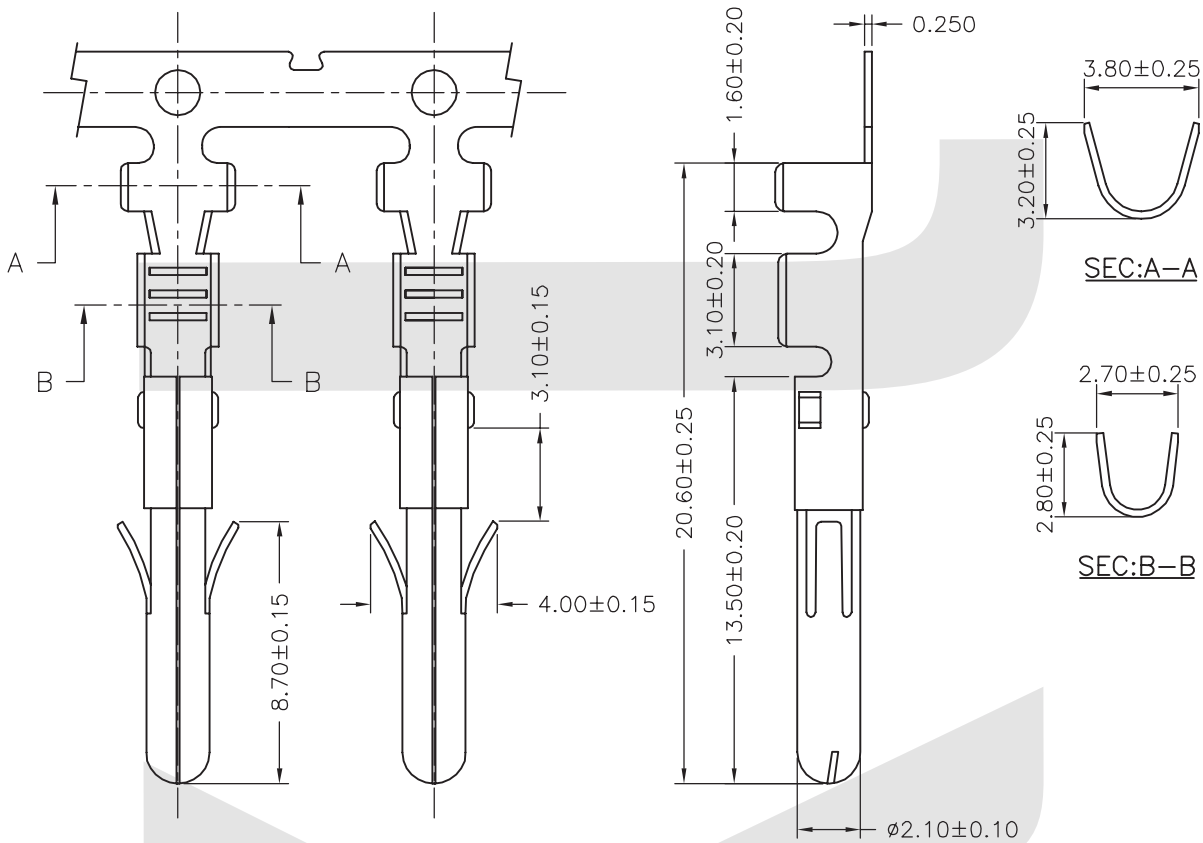
- Rated Voltage: 250V AC/DC
- Rated Current: 5A
- Contact Resistance: 0.01Ω max
- Insulation Resistance: 1000MΩ min
- Withstand voltage: 500V AC/MIN
- Temperature range for usage : -40°C~+105°C

**Material:**

- Housing: PA66 (PA66) UL94V-2
- Contacts: Phosphor Bronze
- Plating: Tin 50u" over 100u" nickel
- Wire range : AWG#30~#22



**Male Terminal**



**ORDER INFORMATION**

Product NO.: KLS1-XL1-5.08-MT

Series No. \_\_\_\_\_  
Pitch: 5.08=5.08mm \_\_\_\_\_

Type: MH=Male Housing      FT=Female Terminal  
 FH=Female Housing      MT=Male Terminal  
 S=Straight pin              R=Right pin

**PCB Connector Series**

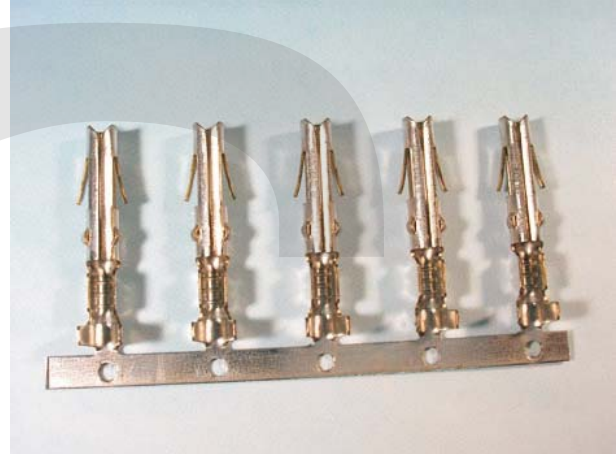
KLS1-XL1-5.08 Pitch=5.08mm TYPE

**Electrical Specification:**

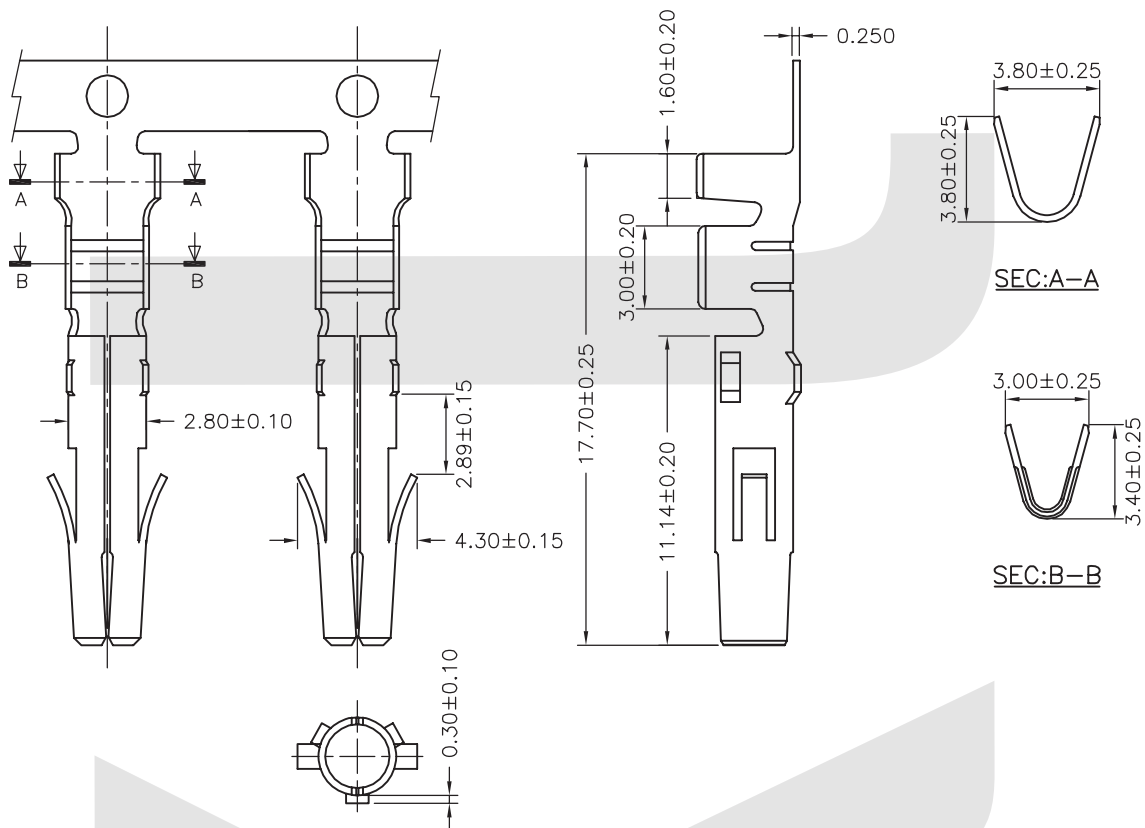
- Rated Voltage: 250V AC/DC
- Rated Current: 5A
- Contact Resistance: 0.01Ω max
- Insulation Resistance: 1000MΩ min
- Withstand voltage: 500V AC/MIN
- Temperature range for usage : -40°C~+105°C

**Material:**

- Housing: PA66 (PA66) UL94V-2
- Contacts: Phosphor Bronze
- Plating: Tin 50u" over 100u" nickel
- Wire range : AWG#30~#22



**Female Terminal**



**ORDER INFORMATION**

Product NO.: KLS1-XL1-5.08- FT

- Series No. \_\_\_\_\_
- Pitch: 5.08=5.08mm \_\_\_\_\_
- Type: MH=Male Housing      FT=Female Terminal
- FH=Female Housing    MT=Male Terminal
- S=Straight pin         R=Right pin



## PCB Connector Series

KLS1-XL1-5.08 Pitch=5.08mm TYPE

### Electrical Specification:

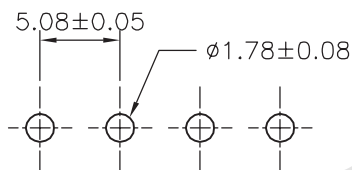
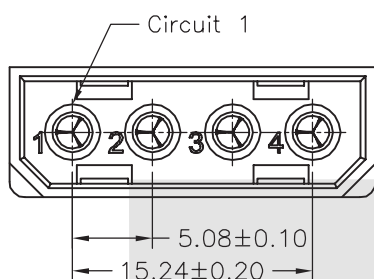
Rated Voltage: 250V AC/DC  
 Rated Current: 5A  
 Contact Resistance: 0.01Ω max  
 Insulation Resistance: 1000MΩ min  
 Withstand voltage: 500V AC/MIN  
 Temperature range for usage : -40°C~+105°C

### Material:

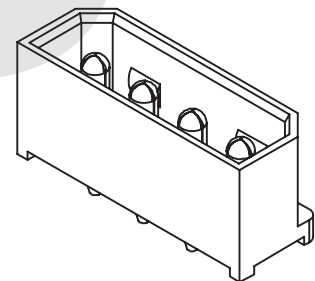
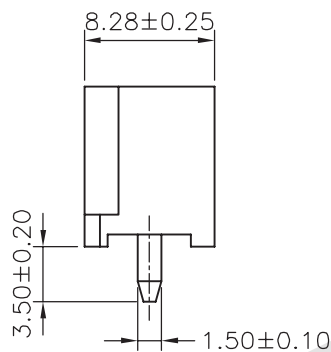
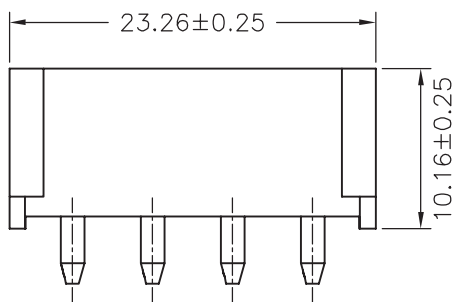
Housing: PA66 (PA66) UL94V-2  
 Contacts: Brass  
 Plating: Tin 50u" over 100u" nickel  
 Wire range : AWG#30~#22



### Straight Male pin



P.C.B. LAYOUT



## ORDER INFORMATION

Product NO.: KLS1-XL1-5.08-04- S

Series No. \_\_\_\_\_  
 Pitch: 5.08=5.08mm \_\_\_\_\_

Type: MH=Male Housing      FT=Female Terminal  
 FH=Female Housing      MT=Male Terminal  
 S=Straight pin              R=Right pin  
 Pin Number: 2Pin    3Pin    4Pin

## PCB Connector Series

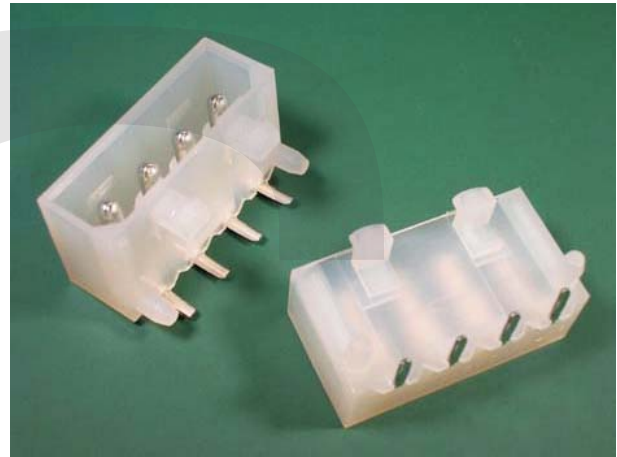
KLS1-XL1-5.08 Pitch=5.08mm TYPE

### Electrical Specification:

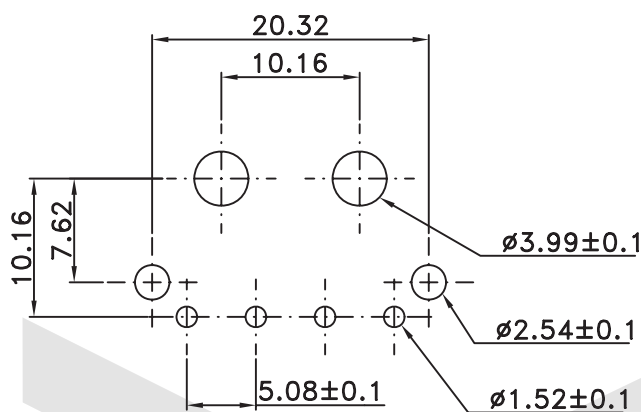
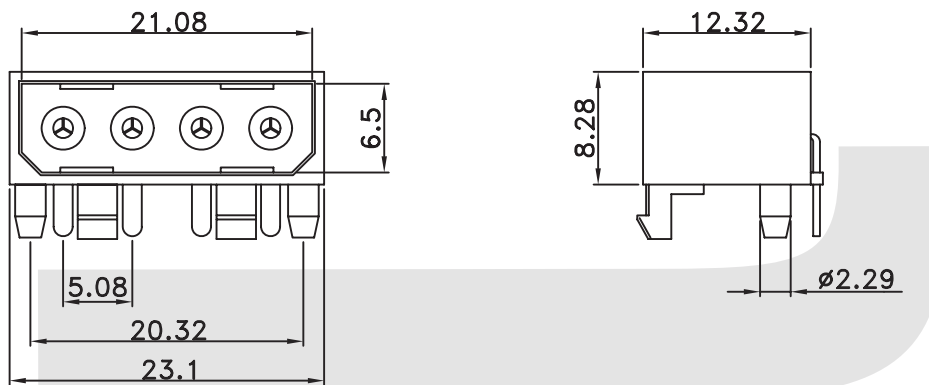
Rated Voltage: 250V AC/DC  
 Rated Current: 5A  
 Contact Resistance: 0.01Ω max  
 Insulation Resistance: 1000MΩ min  
 Withstand voltage: 500V AC/MIN  
 Temperature range for usage : -40°C~+105°C

### Material:

Housing: PA66 (PA66) UL94V-2  
 Contacts: Brass  
 Plating: Tin 50u" over 100u" nickel  
 Wire range : AWG#30~#22



### Right Male pin



## ORDER INFORMATION

Product NO.: KLS1-XL1-5.08-04- R

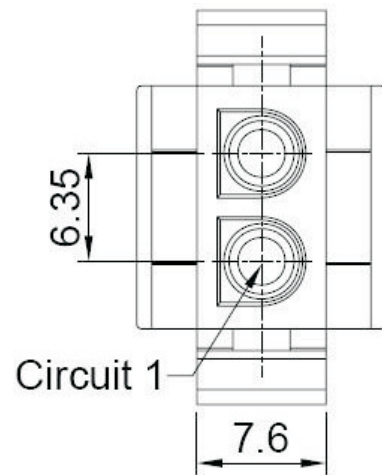
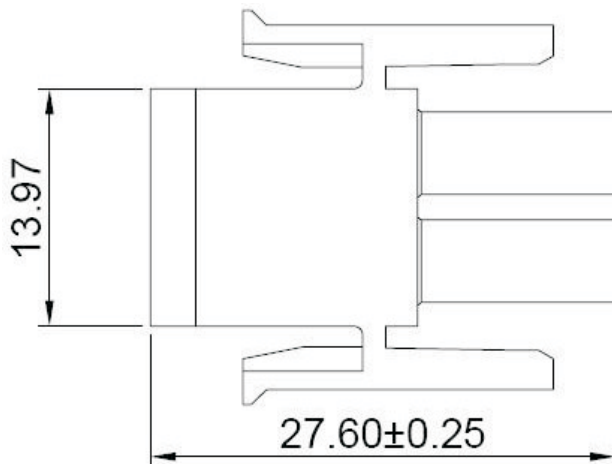
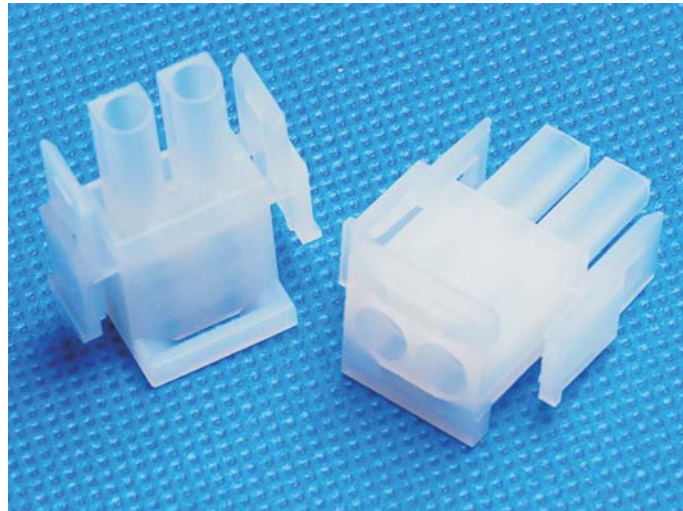
Series No. \_\_\_\_\_  
 Pitch: 5.08=5.08mm \_\_\_\_\_

Type: MH=Male Housing      FT=Female Terminal  
 FH=Female Housing      MT=Male Terminal  
 S=Straight pin              R=Right pin  
 Pin Number: 2Pin    3Pin    4Pin

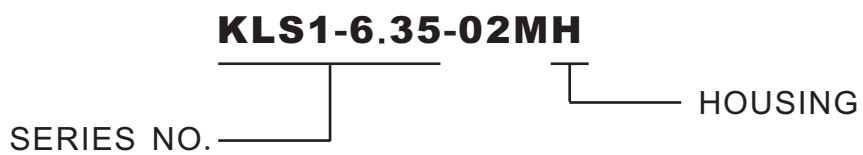


**Connector Housing series**

**KLS1-6.35-02MH**



**ORDER INFORMATION**





## PCB Connector Series

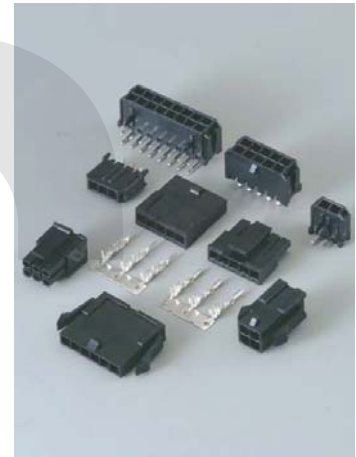
KLS1-XM1-3.00 Pitch=3.00mm TYPE

### Electrical Specification:

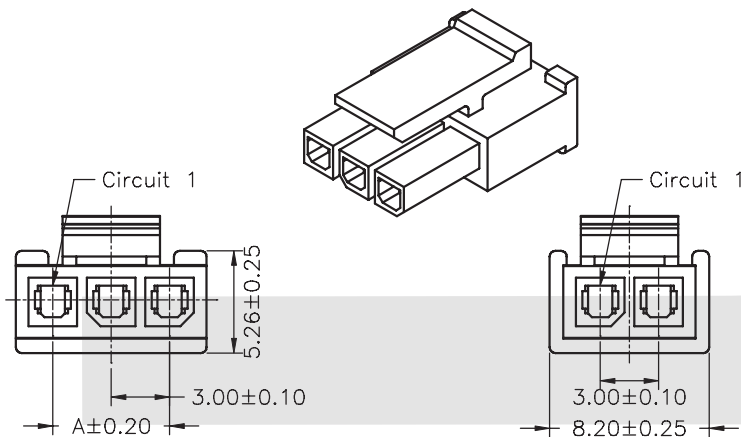
Rated Voltage: 250V AC/DC  
 Rated Current: 3A  
 Contact Resistance: 0.015Ω max  
 Insulation Resistance: 1000MΩ min  
 Withstand voltage: 500V AC/MIN  
 Temperature range for usage : -40°C~+105°C

### Material:

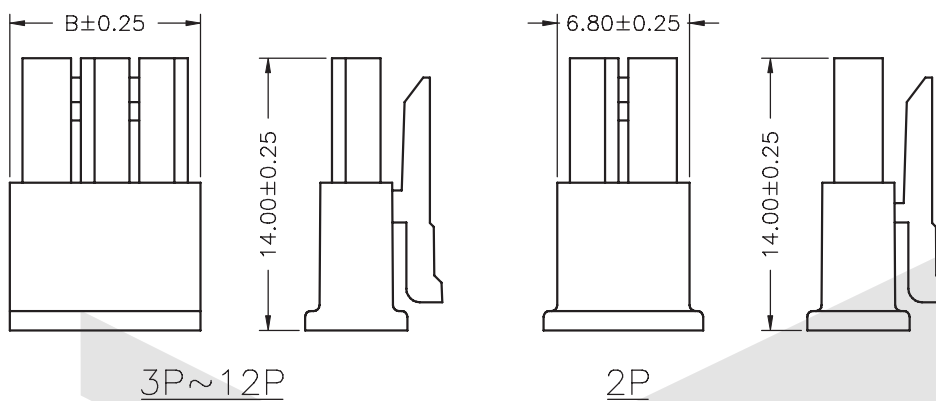
Housing: PA66 (PA66) UL94V-2  
 Contacts: Phosphor Bronze  
 Plating: Tin 50u" over 100u" nickel  
 Wire range : AWG#30~#22



### Single layer Male Housing



PART NO.	Dimensions	
	A	B
02	3.00	6.80
03	6.00	9.80
04	9.00	12.80
05	12.00	15.80
06	15.00	18.80
07	18.00	21.80
08	21.00	24.80
09	24.00	27.80
10	27.00	30.80
11	30.00	33.80
12	33.00	36.80



## ORDER INFORMATION

Product NO.: KLS1-XM1-3.00 - 1X04-MH

Series No. \_\_\_\_\_  
 Pitch: 3.00=3.00mm \_\_\_\_\_  
 Type: MH=Male Housing  
 FH=Female Housing  
 S=Straight pin  
 Pins: 1-Single layer 2-Double layer  
 Pin Number: 2~12Pin  
 FT=Female Terminal  
 MT=Male Terminal  
 R=Right pin

## PCB Connector Series

KLS1-XM1-3.00 Pitch=3.00mm TYPE

### Electrical Specification:

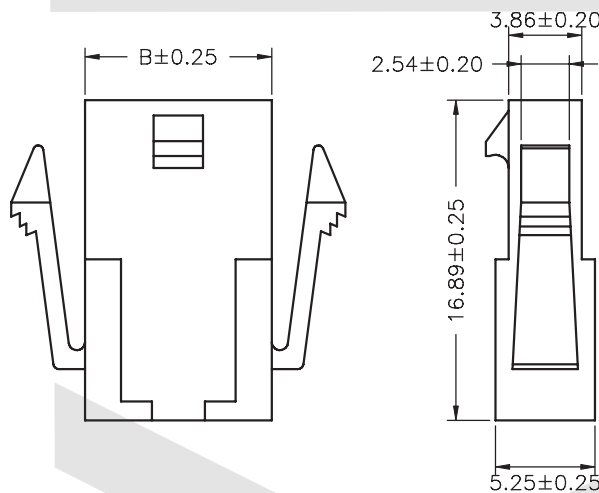
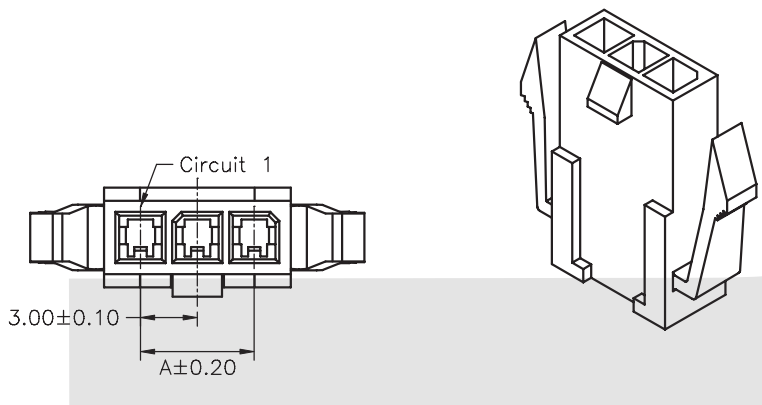
Rated Voltage: 250V AC/DC  
 Rated Current: 3A  
 Contact Resistance: 0.015Ω max  
 Insulation Resistance: 1000MΩ min  
 Withstand voltage: 500V AC/MIN  
 Temperature range for usage : -40°C~+105°C

### Material:

Housing: PA66 (PA66) UL94V-2  
 Contacts: Phosphor Bronze  
 Plating: Tin 50u" over 100u" nickel  
 Wire range : AWG#30~#22



### Single layer Female Housing



PART NO.	Dimensions	
	A	B
02	3.00	6.85
03	6.00	9.85
04	9.00	12.85
05	12.00	15.85
06	15.00	18.85
07	18.00	21.85
08	21.00	24.85
09	24.00	27.85
10	27.00	30.85
11	30.00	33.85
12	33.00	36.85

## ORDER INFORMATION

Product NO.: KLS1-XM1-3.00 -1X04-FH

Series No. \_\_\_\_\_  
 Pitch: 3.00=3.00mm

Type: MH=Male Housing  
 FH=Female Housing  
 S=Straight pin  
 Pins: 1-Single layer 2-Double layer  
 Pin Number: 2~12Pin

FT=Female Terminal  
 MT=Male Terminal  
 R=Right pin





## PCB Connector Series

KLS1-XM1-3.00 Pitch=3.00mm TYPE

### Electrical Specification:

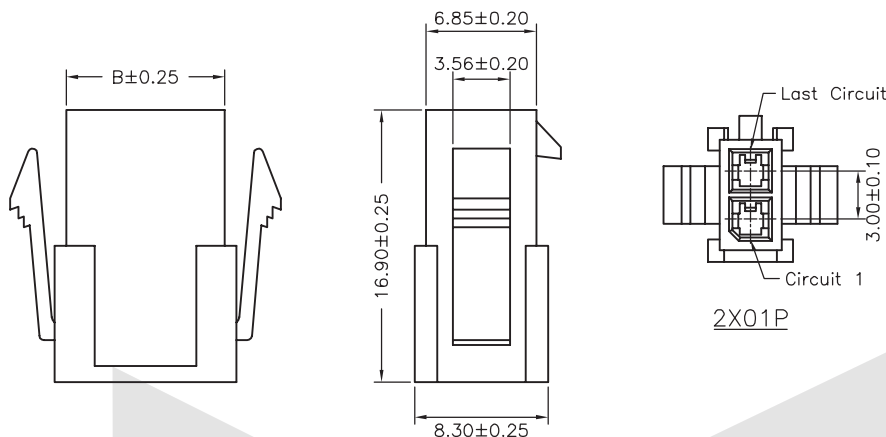
Rated Voltage: 250V AC.DC  
 Rated Current: 3A  
 Contact Resistance: 0.015Ω max  
 Insulation Resistance: 1000MΩ min  
 Withstand voltage: 500V AC/MIN  
 Temperature range for usage : -40°C~+105°C

### Material:

Housing: PA66 (PA66) UL94V-2  
 Contacts: Phosphor Bronze  
 Plating: Tin 50u" over 100u" nickel  
 Wire range : AWG#30~#22



### Double layer Female Housing



PART NO.	Dimensions	
	A	B
2X01	---	3.85
2X02	3.00	6.85
2X03	6.00	9.85
2X04	9.00	12.85
2X05	12.00	15.85
2X06	15.00	18.85
2X07	18.00	21.85
2X08	21.00	24.85
2X09	24.00	27.85
2X10	27.00	30.85
2X11	30.00	33.85
2X12	33.00	36.85

## ORDER INFORMATION

Product NO.: KLS1-XM1-3.00 -2X04-FH

Series No. \_\_\_\_\_  
 Pitch: 3.00=3.00mm \_\_\_\_\_  
 Type: MH=Male Housing  
 FH=Female Housing  
 S=Straight pin  
 Pins: 1-Single layer 2-Double layer  
 Pin Number: 2~12Pin  
 FT=Female Terminal  
 MT=Male Terminal  
 R=Right pin

## PCB Connector Series

KLS1-XM1-3.00 Pitch=3.00mm TYPE

### Electrical Specification:

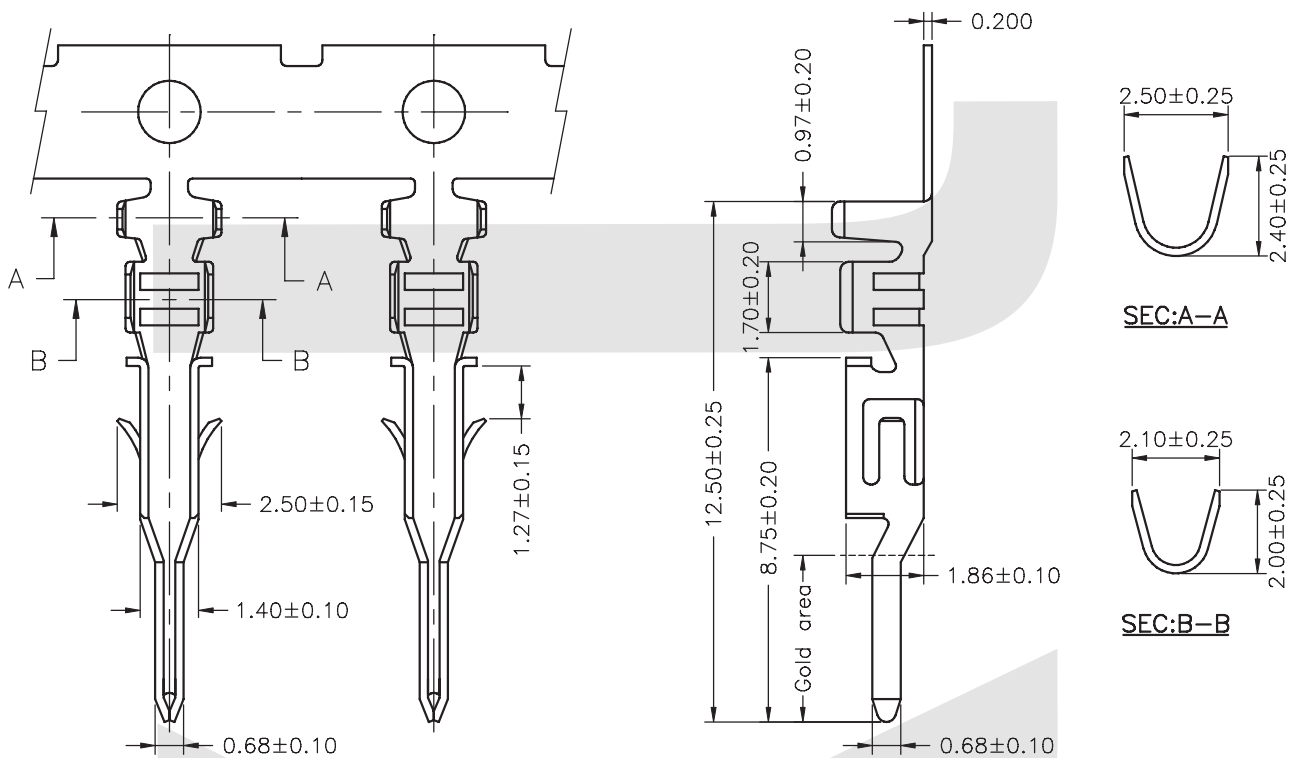
Rated Voltage: 250V AC/DC  
 Rated Current: 3A  
 Contact Resistance: 0.015Ω max  
 Insulation Resistance: 1000MΩ min  
 Withstand voltage: 500V AC/MIN  
 Temperature range for usage : -40°C~+105°C

### Material:

Housing: PA66 (PA66) UL94V-2  
 Contacts: Phosphor Bronze  
 Plating: Tin 50u" over 100u" nickel  
 Wire range : AWG#30~#22



### Male Terminal



## ORDER INFORMATION

Product NO.: KLS1-XM1-3.00 -MT

Series No. \_\_\_\_\_  
 Pitch: 3.00=3.00mm \_\_\_\_\_

Type: MH=Male Housing    FT=Female Terminal  
 FH=Female Housing    MT=Male Terminal  
 S=Straight pin         R=Right pin



## PCB Connector Series

KLS1-XM1-3.00 Pitch=3.00mm TYPE

### Electrical Specification:

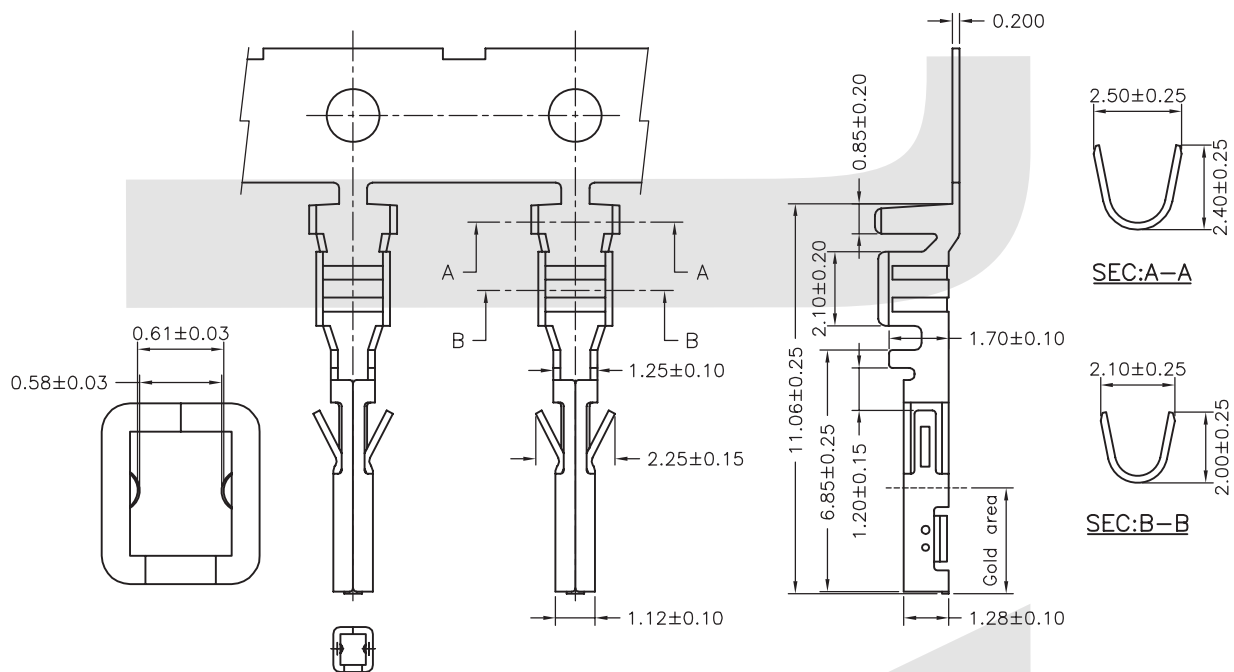
Rated Voltage: 250V AC/DC  
 Rated Current: 3A  
 Contact Resistance: 0.015Ω max  
 Insulation Resistance: 1000MΩ min  
 Withstand voltage: 500V AC/MIN  
 Temperature range for usage : -40°C~+105°C

### Material:

Housing: PA66 (PA66) UL94V-2  
 Contacts: Phosphor Bronze  
 Plating: Tin 50u" over 100u" nickel  
 Wire range : AWG#30~#22



### Female Terminal



## ORDER INFORMATION

Product NO.: KLS1-XM1-3.00 - FT

Series No. \_\_\_\_\_  
 Pitch: 3.00=3.00mm \_\_\_\_\_

Type: MH=Male Housing      FT=Female Terminal  
 FH=Female Housing      MT=Male Terminal  
 S=Straight pin              R=Right pin



## PCB Connector Series

KLS1-XM1-3.00 Pitch=3.00mm TYPE

### Electrical Specification:

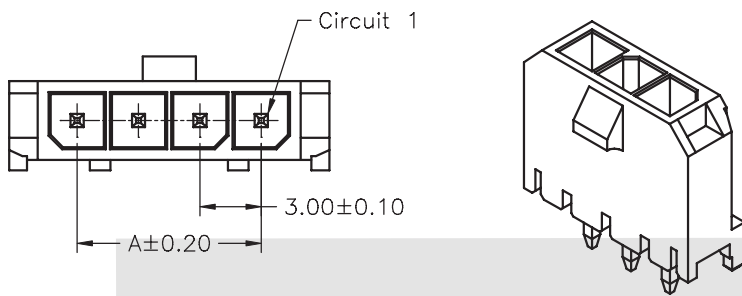
Rated Voltage: 250V AC/DC  
 Rated Current: 3A  
 Contact Resistance: 0.015Ω max  
 Insulation Resistance: 1000MΩ min  
 Withstand voltage: 500V AC/MIN  
 Temperature range for usage : -40°C~+105°C

### Material:

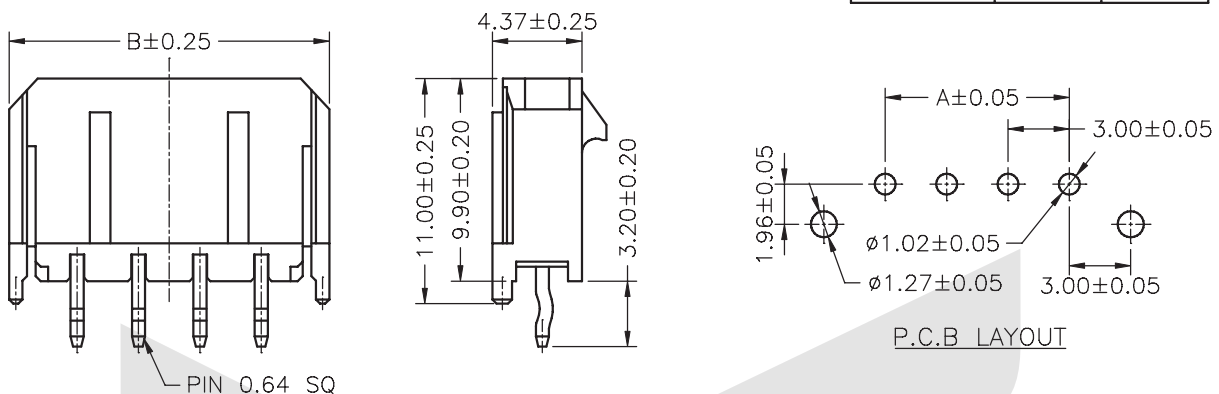
Housing: PA66 (PA66) UL94V-2  
 Contacts: Brass  
 Plating: Tin 50u" over 100u" nickel



### Single layer Straight pin



PART NO.	Dimensions	
	A	B
02	3.00	9.65
03	6.00	12.65
04	9.00	15.65
05	12.00	18.65
06	15.00	21.65
07	18.00	24.65
08	21.00	27.65
09	24.00	30.65
10	27.00	33.65
11	30.00	36.65
12	33.00	39.65



## ORDER INFORMATION

Product NO.: KLS1-XM1-3.00 -1X04- S

Series No. \_\_\_\_\_  
 Pitch: 3.00=3.00mm

Type: MH=Male Housing  
 FH=Female Housing  
 S=Straight pin  
 Pins: 1-Single layer 2-Double layer  
 Pin Number: 2~12Pin  
 FT=Female Terminal  
 MT=Male Terminal  
 R=Right pin

## PCB Connector Series

KLS1-XM1-3.00 Pitch=3.00mm TYPE

### Electrical Specification:

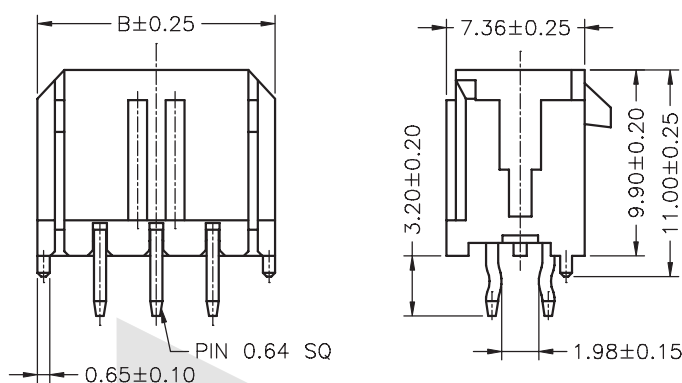
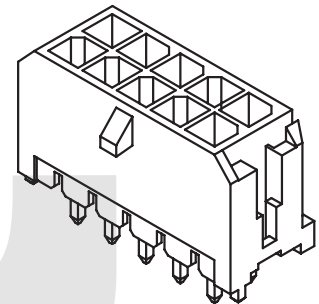
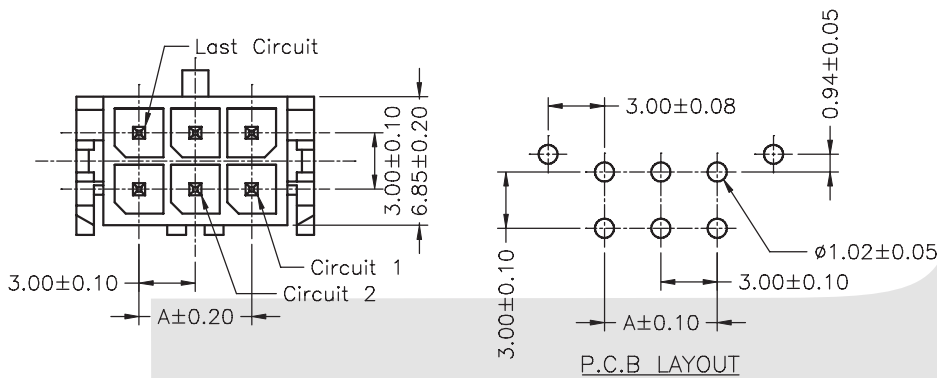
Rated Voltage: 250V AC/DC  
 Rated Current: 3A  
 Contact Resistance: 0.015Ω max  
 Insulation Resistance: 1000MΩ min  
 Withstand voltage: 500V AC/MIN  
 Temperature range for usage : -40°C~+105°C

### Material:

Housing: PA66 (PA66) UL94V-2  
 Contacts: Brass  
 Plating: Tin 50u" over 100u" nickel



### Double layer Straight pin



PART NO.	Dimensions	
	A	B
2X01	---	6.65
2X02	3.00	9.65
2X03	6.00	12.65
2X04	9.00	15.65
2X05	12.00	18.65
2X06	15.00	21.65
2X07	18.00	24.65
2X08	21.00	27.65
2X09	24.00	30.65
2X10	27.00	33.65
2X11	30.00	36.65
2X12	33.00	39.65

## ORDER INFORMATION

Product NO.: KLS1-XM1-3.00 -2X04- S

Series No. \_\_\_\_\_  
 Pitch: 3.00=3.00mm

Type: MH=Male Housing  
 FH=Female Housing  
 S=Straight pin  
 Pins: 1-Single layer  
 Pin Number: 2~12Pin

FT=Female Terminal  
 MT=Male Terminal  
 R=Right pin

## PCB Connector Series

KLS1-XM1-3.00 Pitch=3.00mm TYPE

### Electrical Specification:

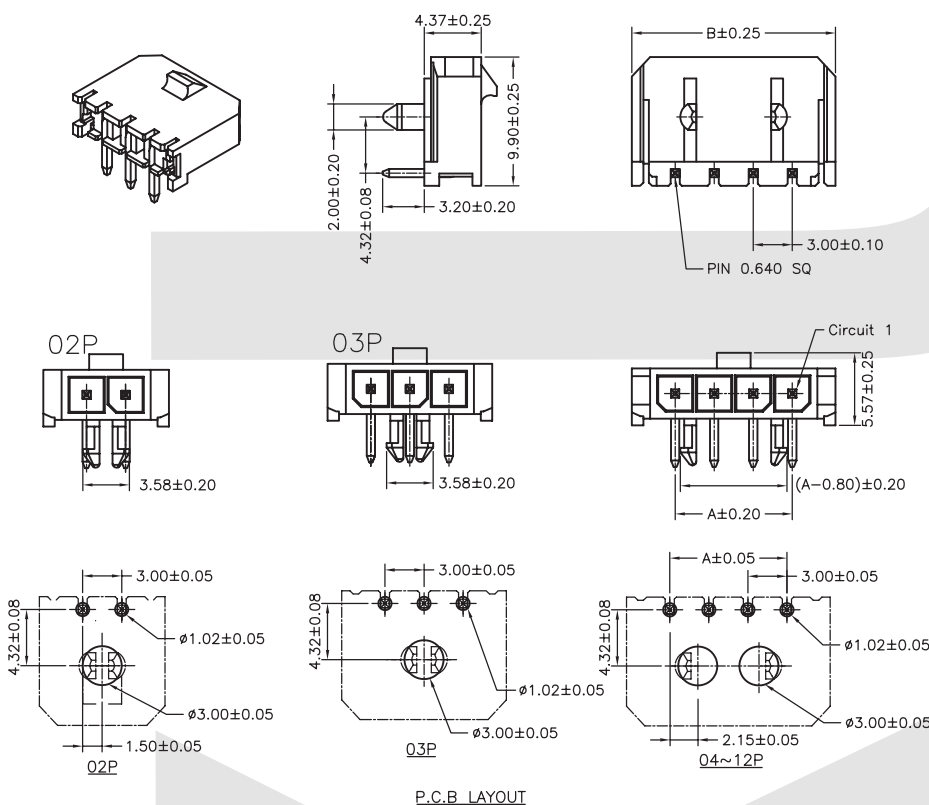
Rated Voltage: 250V AC/DC  
 Rated Current: 3A  
 Contact Resistance: 0.015Ω max  
 Insulation Resistance: 1000MΩ min  
 Withstand voltage: 500V AC/MIN  
 Temperature range for usage : -40°C~+105°C

### Material:

Housing: PA66 (PA66) UL94V-2  
 Contacts: Brass  
 Plating: Tin 50u" over 100u" nickel



### Single layer Right pin



PART NO.	Dimensions	
	A	B
02	3.00	9.65
03	6.00	12.65
04	9.00	15.65
05	12.00	18.65
06	15.00	21.65
07	18.00	24.65
08	21.00	27.65
09	24.00	30.65
10	27.00	33.65
11	30.00	36.65
12	33.00	39.65

## ORDER INFORMATION

Product NO.: KLS1-XM1-3.00 -1X04- R

Series No. \_\_\_\_\_  
 Pitch: 3.00=3.00mm \_\_\_\_\_

Type: MH=Male Housing  
 FH=Female Housing  
 S=Straight pin  
 Pins: 1-Single layer 2-Double layer  
 Pin Number: 2~12Pin

FT=Female Terminal  
 MT=Male Terminal  
 R=Right pin

## PCB Connector Series

KLS1-XM1-3.00 Pitch=3.00mm TYPE

### Electrical Specification:

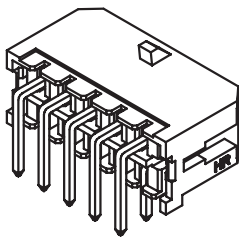
Rated Voltage: 250V AC/DC  
 Rated Current: 3A  
 Contact Resistance: 0.015Ω max  
 Insulation Resistance: 1000MΩ min  
 Withstand voltage: 500V AC/MIN  
 Temperature range for usage : -40°C~+105°C

### Material:

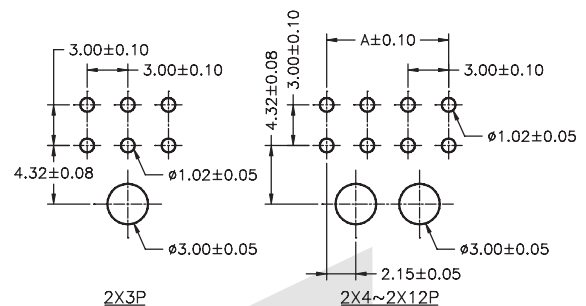
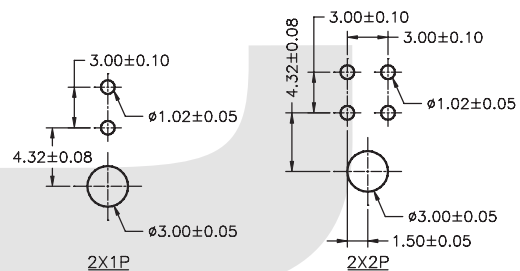
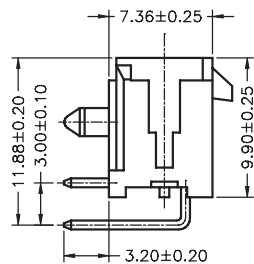
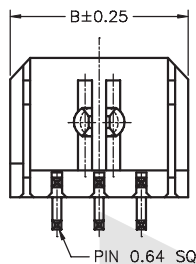
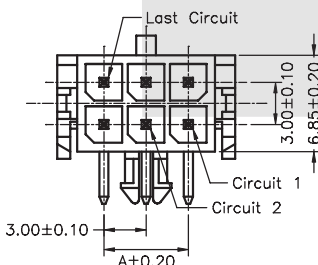
Housing: PA66 (PA66) UL94V-2  
 Contacts: Brass  
 Plating: Tin 50u" over 100u" nickel



### Double layer Right pin



PART NO.	Dimensions	
	A	B
2X01	---	6.65
2X02	3.00	9.65
2X03	6.00	12.65
2X04	9.00	15.65
2X05	12.00	18.65
2X06	15.00	21.65
2X07	18.00	24.65
2X08	21.00	27.65
2X09	24.00	30.65
2X10	27.00	33.65
2X11	30.00	36.65
2X12	33.00	39.65



P.C.B. LAYOUT

## ORDER INFORMATION

Product NO.: KLS1-XM1-3.00 -2X04- R

Series No. \_\_\_\_\_  
 Pitch: 3.00=3.00mm \_\_\_\_\_

Type: MH=Male Housing  
 FH=Female Housing  
 S=Straight pin  
 Pins: 1-Single layer  
 Pin Number: 2~12Pin

FT=Female Terminal  
 MT=Male Terminal  
 R=Right pin

## PCB Connector Series

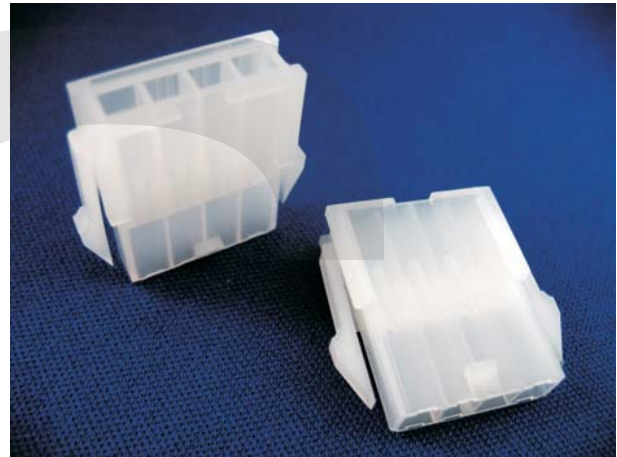
KLS1-4.20 Pitch=4.20mm TYPE

### Electrical Specification:

Rated Voltage: 300V AC/DC  
 Rated Current: 9A  
 Contact Resistance: 0.015Ω max  
 Insulation Resistance: 1000MΩ min  
 Withstand voltage: 1500V AC/MIN  
 Temperature range for usage : -40°C~+105°C

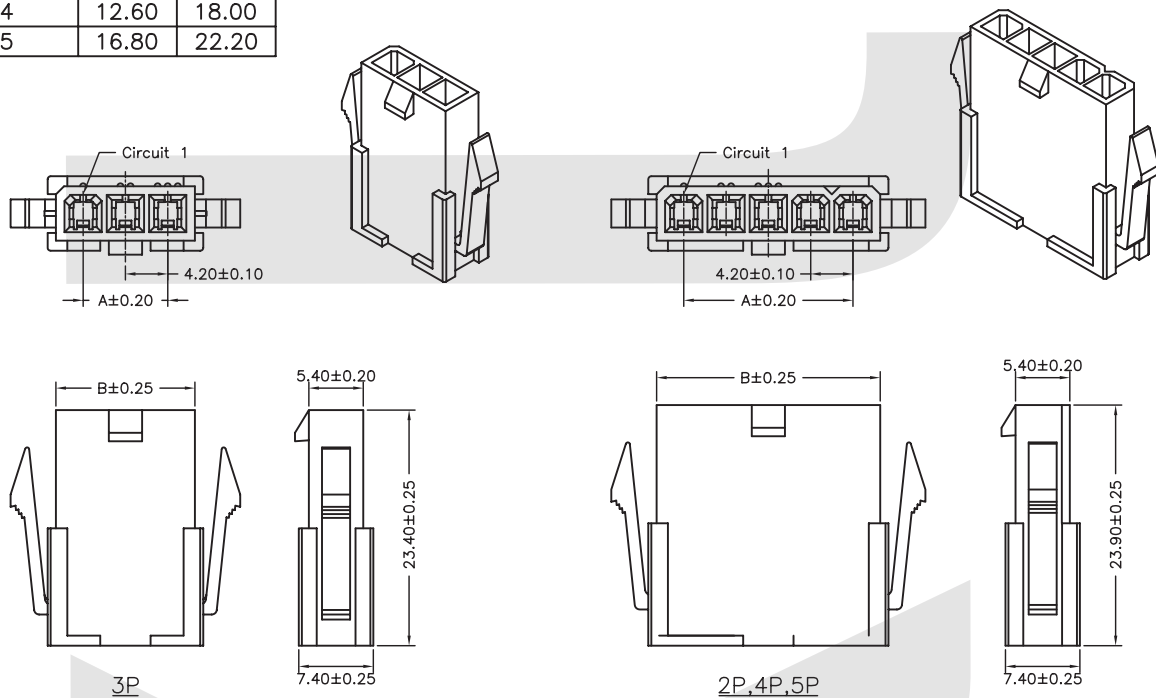
### Material:

Housing: PA66 (PA66) UL94V-2  
 Contacts: Phosphor Bronze  
 Plating: Tin 50u" over 100u" nickel  
 Wire range : AWG#30~#22



### Single layer Female Housing

PART NO.	Dimensions	
	A	B
02	4.20	9.60
03	8.40	13.80
04	12.60	18.00
05	16.80	22.20



## ORDER INFORMATION

Product NO.: KLS1-4.20 -1X05-FH

Pitch: 4.20=4.20mm  
 Pins: 1-Single layer 2-Double layer  
 Pin Number: 2~12Pin

Type: MH=Male Housing FT=Female Terminal  
 FH=Female Housing MT=Male Terminal  
 S=Straight pin R=Right pin  
 SW=Straight pin with Peg RW=Right pin with Peg  
 SB=Straight pin Special Type RB=Right pin with Ears

## PCB Connector Series

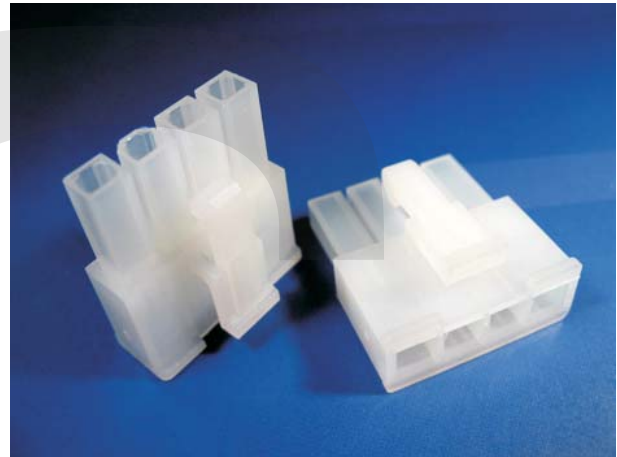
KLS1-4.20 Pitch=4.20mm TYPE

### Electrical Specification:

Rated Voltage: 300V AC/DC  
 Rated Current: 9A  
 Contact Resistance: 0.015Ω max  
 Insulation Resistance: 1000MΩ min  
 Withstand voltage: 1500V AC/MIN  
 Temperature range for usage : -40°C~+105°C

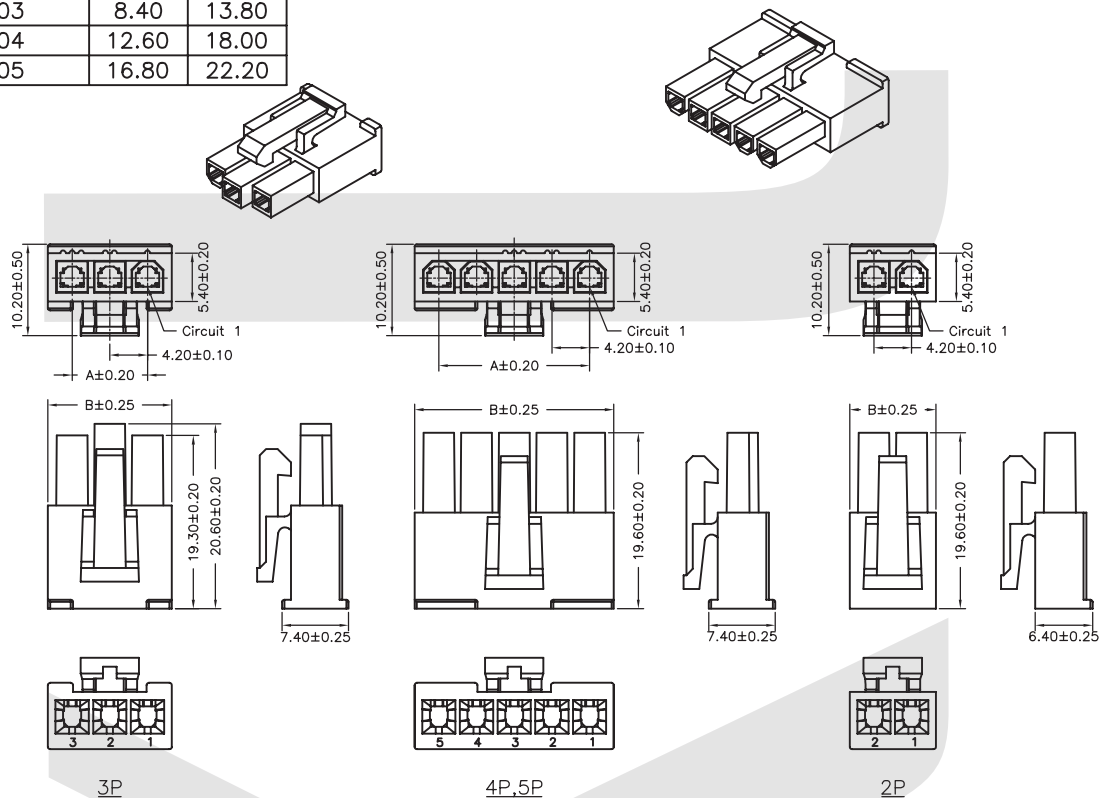
### Material:

Housing: PA66 (PA66) UL94V-2  
 Contacts: Phosphor Bronze  
 Plating: Tin 50u" over 100u" nickel  
 Wire range : AWG#30~#22



### Single layer Male Housing

PART NO.	Dimensions	
	A	B
02	4.20	9.60
03	8.40	13.80
04	12.60	18.00
05	16.80	22.20



## ORDER INFORMATION

Product NO.: KLS1-4.20 -1X05- MH

Pitch: 4.20=4.20mm  
 Pins: 1-Single layer  
 Pin Number: 2~12Pin

2-Double layer

Type: MH=Male Housing FT=Female Terminal  
 FH=Female Housing MT=Male Terminal  
 S=Straight pin R=Right pin  
 SW=Straight pin with Peg RW=Right pin with Peg  
 SB=Straight pin Special Type RB=Right pin with Ears



## PCB Connector Series

KLS1-4.20 Pitch=4.20mm TYPE

### Electrical Specification:

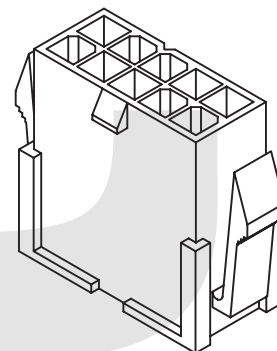
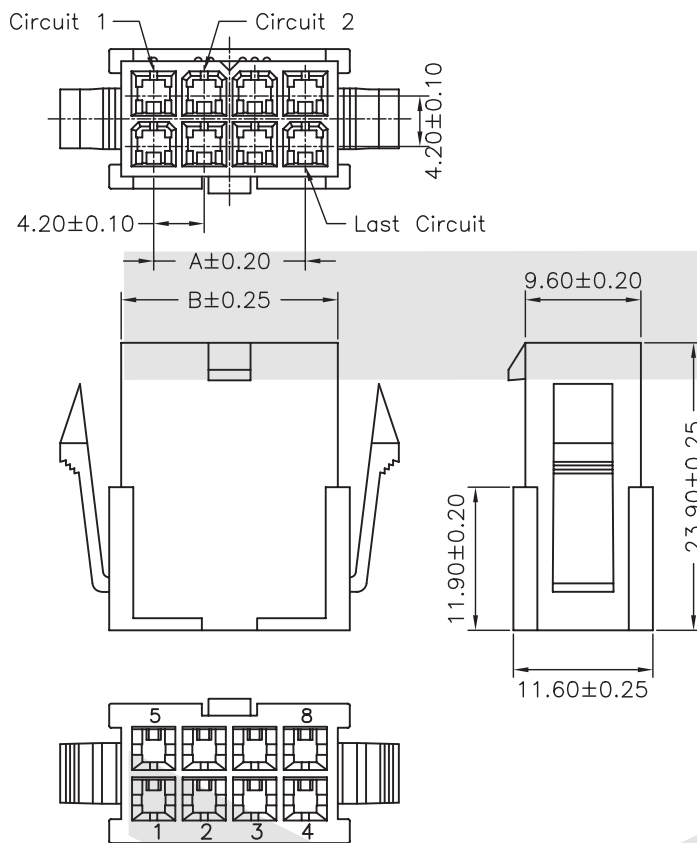
Rated Voltage: 300V AC/DC  
 Rated Current: 9A  
 Contact Resistance: 0.015Ω max  
 Insulation Resistance: 1000MΩ min  
 Withstand voltage: 1500V AC/MIN  
 Temperature range for usage : -40°C~+105°C

### Material:

Housing: PA66 (PA66) UL94V-2  
 Contacts: Phosphor Bronze  
 Plating: Tin 50u" over 100u" nickel  
 Wire range : AWG#30~#22



### Double layer Female Housing



PART NO.	Dimensions	
	A	B
2X01	---	5.40
2X02	4.20	9.60
2X03	8.40	13.80
2X04	12.60	18.00
2X05	16.80	22.20
2X06	21.00	26.40
2X07	25.20	30.60
2X08	29.40	34.80
2X09	33.60	39.00
2X10	37.80	43.20
2X11	42.00	47.40
2X12	46.20	51.60

## ORDER INFORMATION

Product NO.: KLS1-4.20 -2X05-FH

Pitch: 4.20=4.20mm  
 Pins: 1-Single layer  
 Pin Number: 2~12Pin

2-Double layer

Type: MH=Male Housing      FT=Female Terminal  
 FH=Female Housing      MT=Male Terminal  
 S=Straight pin              R=Right pin  
 SW=Straight pin with Peg      RW=Right pin with Peg  
 SB=Straight pin Special Type      RB=Right pin with Ears



## PCB Connector Series

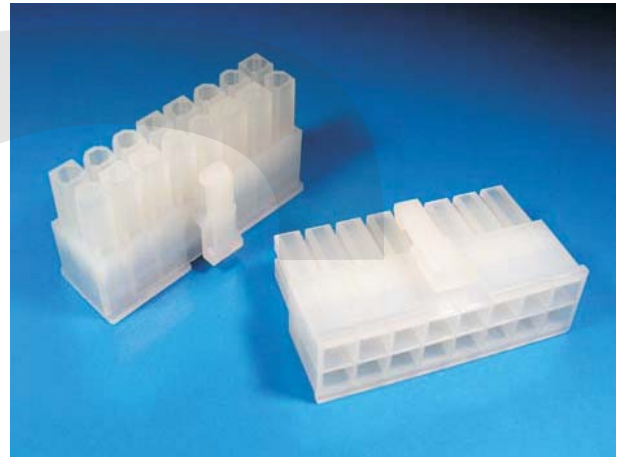
KLS1-4.20 Pitch=4.20mm TYPE

### Electrical Specification:

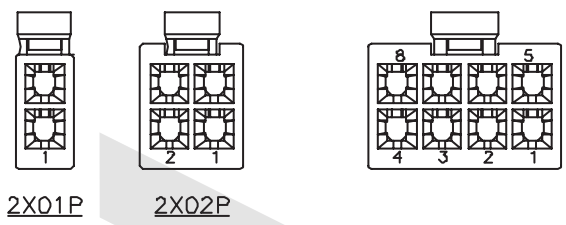
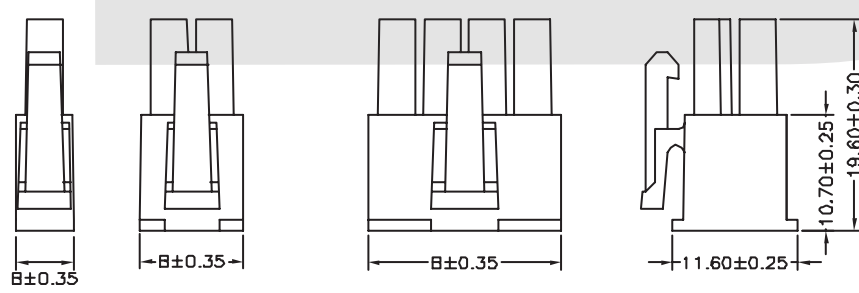
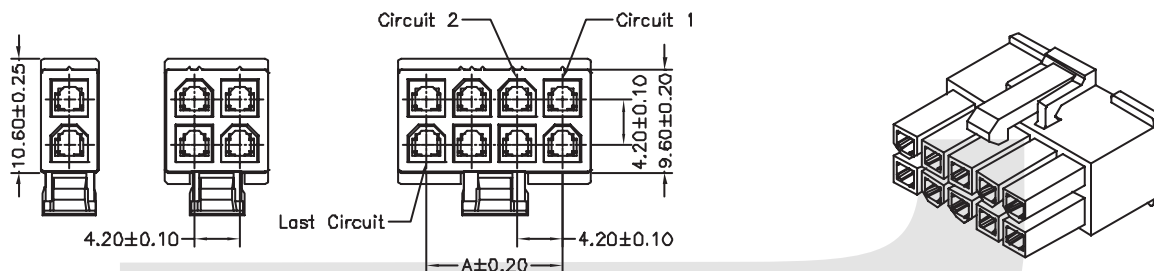
Rated Voltage: 300V AC/DC  
 Rated Current: 9A  
 Contact Resistance: 0.015Ω max  
 Insulation Resistance: 1000MΩ min  
 Withstand voltage: 1500V AC/MIN  
 Temperature range for usage : -40°C~+105°C

### Material:

Housing: PA66 (PA66) UL94V-2  
 Contacts: Phosphor Bronze  
 Plating: Tin 50u" over 100u" nickel  
 Wire range : AWG#30~#22



### Double layer Male Housing



PART NO.	Dimensions	
	A	B
2X01	---	5.70
2X02	4.20	9.60
2X03	8.40	13.80
2X04	12.60	18.00
2X05	16.80	22.20
2X06	21.00	26.40
2X07	25.20	30.60
2X08	29.40	34.80
2X09	33.60	39.00
2X10	37.80	43.20
2X11	42.00	47.40
2X12	46.20	51.60

## ORDER INFORMATION

Product NO.: KLS1-4.20 -2X05- MH

Pitch: 4.20=4.20mm  
 Pins: 1-Single layer 2-Double layer  
 Pin Number: 2~12Pin

Type: MH=Male Housing FT=Female Terminal  
 FH=Female Housing MT=Male Terminal  
 S=Straight pin R=Right pin  
 SW=Straight pin with Peg RW=Right pin with Peg  
 SB=Straight pin Special Type RB=Right pin with Ears



## PCB Connector Series

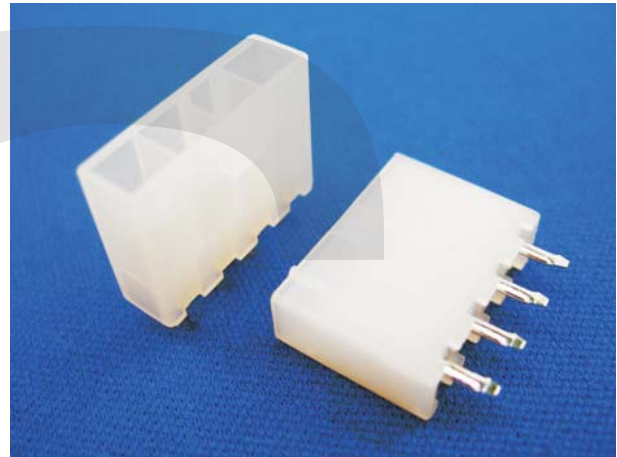
KLS1-4.20 Pitch=4.20mm TYPE

### Electrical Specification:

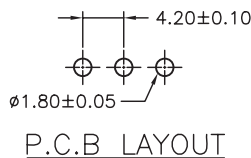
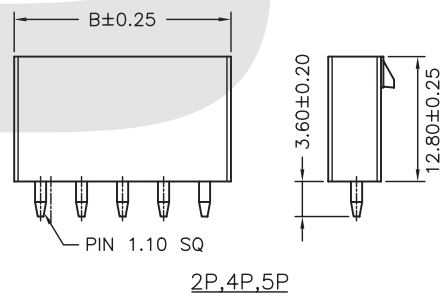
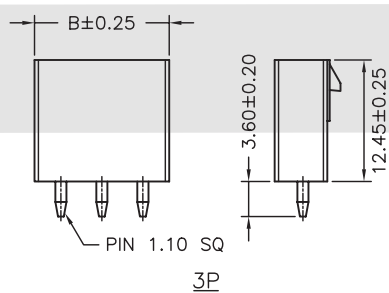
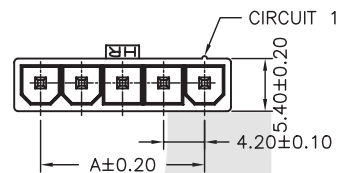
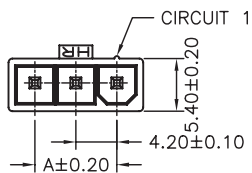
- Rated Voltage: 300V AC/DC
- Rated Current: 9A
- Contact Resistance: 0.015Ω max
- Insulation Resistance: 1000MΩ min
- Withstand voltage: 1500V AC/MIN
- Temperature range for usage : -40°C~+105°C

### Material:

- Housing: PA66 (PA66) UL94V-2
- Contacts: Brass
- Plating: Tin 50u" over 100u" nickel
- Wire range : AWG#30~#22



### Single layer Straight pin



PART NO.	Dimensions	
	A	B
02	4.20	9.60
03	8.40	13.80
04	12.60	18.00
05	16.80	22.20

## ORDER INFORMATION

Product NO.: KLS1-4.20 -1X05- S

Pitch: 4.20=4.20mm  
Pins: 1-Single layer  
Pin Number: 2~12Pin

2-Double layer

Type: MH=Male Housing    FT=Female Terminal  
 FH=Female Housing    MT=Male Terminal  
 S=Straight pin    R=Right pin  
 SW=Straight pin with Peg    RW=Right pin with Peg  
 SB=Straight pin Special Type    RB=Right pin with Ears

## PCB Connector Series

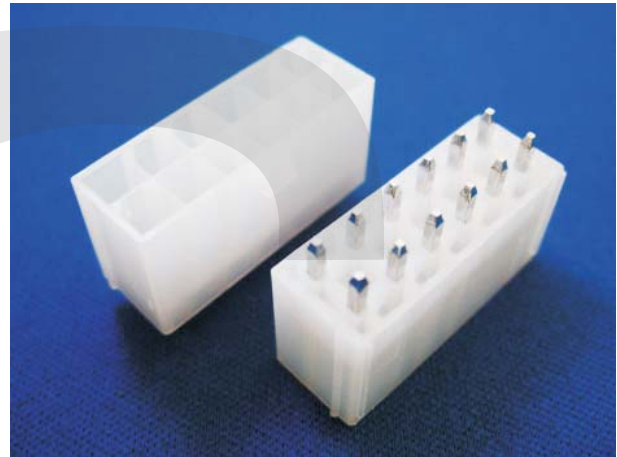
KLS1-4.20 Pitch=4.20mm TYPE

### Electrical Specification:

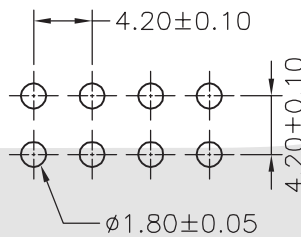
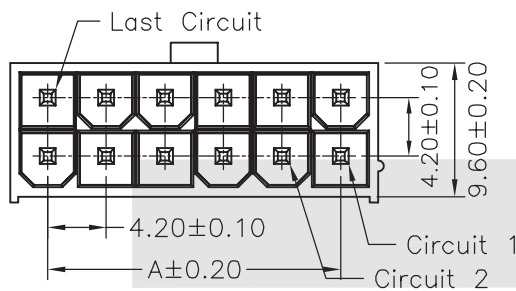
Rated Voltage: 300V AC/DC  
 Rated Current: 9A  
 Contact Resistance: 0.015Ω max  
 Insulation Resistance: 1000MΩ min  
 Withstand voltage: 1500V AC/MIN  
 Temperature range for usage : -40°C~+105°C

### Material:

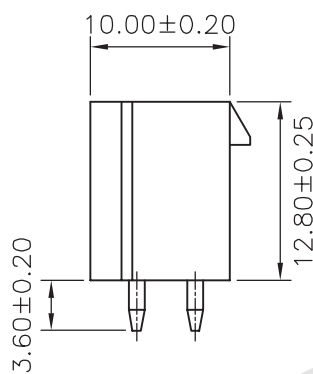
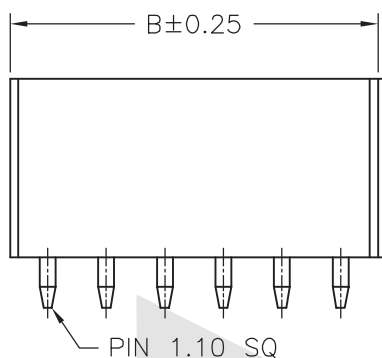
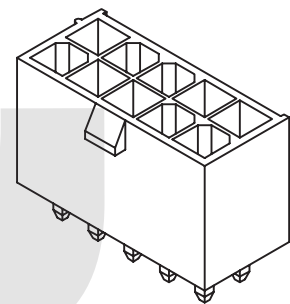
Housing: PA66 (PA66) UL94V-2  
 Contacts: Brass  
 Plating: Tin 50u" over 100u" nickel  
 Wire range : AWG#30~#22



### Double layer Straight pin



P.C.B LAYOUT



PART NO.	Dimensions	
	A	B
2X01	---	5.40
2X02	4.20	9.60
2X03	8.40	13.80
2X04	12.60	18.00
2X05	16.80	22.20
2X06	21.00	26.40
2X07	25.20	30.60
2X08	29.40	34.80
2X09	33.60	39.00
2X10	37.80	43.20
2X11	42.00	47.40
2X12	46.20	51.60

## ORDER INFORMATION

Product NO.: KLS1-4.20 -2X05- S

Pitch: 4.20=4.20mm  
 Pins: 1-Single layer  
 Pin Number: 2~12Pin

2-Double layer

Type: MH=Male Housing      FT=Female Terminal  
 FH=Female Housing      MT=Male Terminal  
 S=Straight pin              R=Right pin  
 SW=Straight pin with Peg      RW=Right pin with Peg  
 SB=Straight pin Special Type      RB=Right pin with Ears

## PCB Connector Series

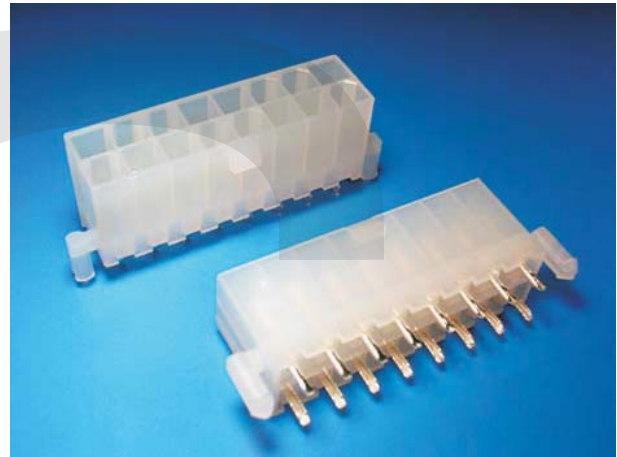
KLS1-4.20 Pitch=4.20mm TYPE

### Electrical Specification:

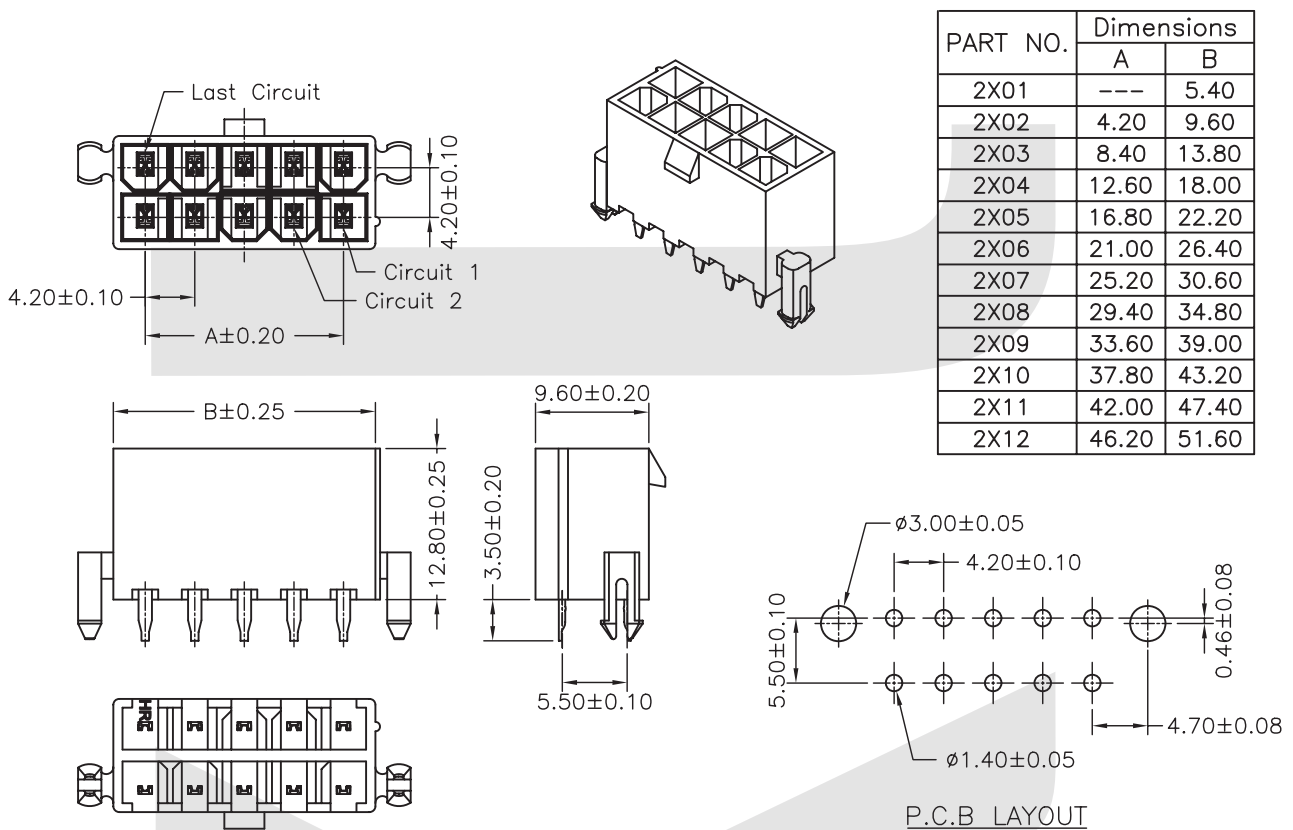
Rated Voltage: 300V AC.DC  
 Rated Current: 9A  
 Contact Resistance: 0.015Ω max  
 Insulation Resistance: 1000MΩ min  
 Withstand voltage: 1500V AC/MIN  
 Temperature range for usage : -40°C~+105°C

### Material:

Housing: PA66 (PA66) UL94V-2  
 Contacts: Brass  
 Plating: Tin 50u" over 100u" nickel  
 Wire range : AWG#30~#22



### Double layer Straight pin With Peg



## ORDER INFORMATION

Product NO.: KLS1-4.20 -2X05-SW

Pitch: 4.20=4.20mm  
 Pins: 1-Single layer 2-Double layer  
 Pin Number: 2~12Pin

Type: MH=Male Housing FT=Female Terminal  
 FH=Female Housing MT=Male Terminal  
 S=Straight pin R=Right pin  
 SW=Straight pin with Peg RW=Right pin with Peg  
 SB=Straight pin Special Type RB=Right pin with Ears

## PCB Connector Series

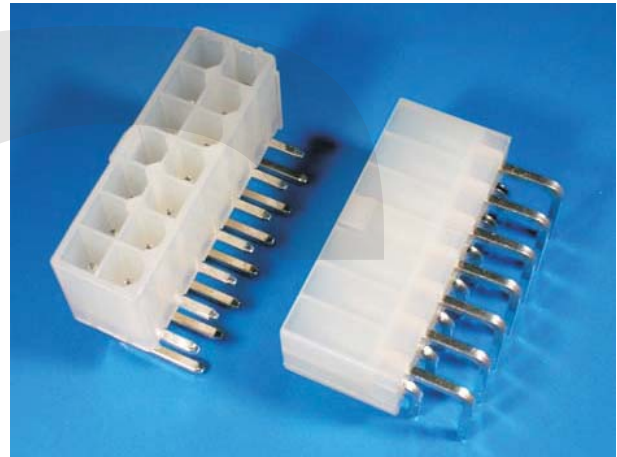
KLS1-4.20 Pitch=4.20mm TYPE

### Electrical Specification:

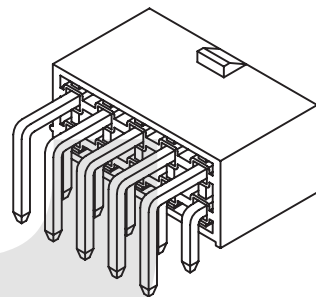
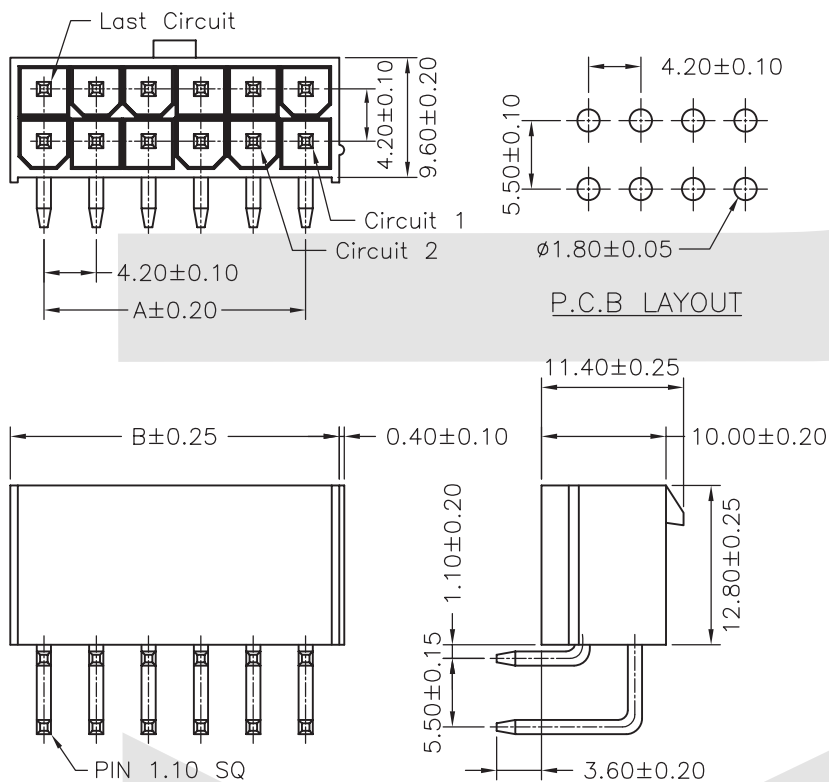
Rated Voltage: 300V AC/DC  
 Rated Current: 9A  
 Contact Resistance: 0.015Ω max  
 Insulation Resistance: 1000MΩ min  
 Withstand voltage: 1500V AC/MIN  
 Temperature range for usage : -40°C~+105°C

### Material:

Housing: PA66 (PA66) UL94V-2  
 Contacts: Brass  
 Plating: Tin 50u" over 100u" nickel  
 Wire range : AWG#30~#22



### Double layer Right pin



PART NO.	Dimensions	
	A	B
2X01	---	5.40
2X02	4.20	9.60
2X03	8.40	13.80
2X04	12.60	18.00
2X05	16.80	22.20
2X06	21.00	26.40
2X07	25.20	30.60
2X08	29.40	34.80
2X09	33.60	39.00
2X10	37.80	43.20
2X11	42.00	47.40
2X12	46.20	51.60

## ORDER INFORMATION

Product NO.: KLS1-4.20 -2X05- R

Pitch: 4.20=4.20mm  
 Pins: 1-Single layer  
 Pin Number: 2~12Pin

2-Double layer

Type: MH=Male Housing      FT=Female Terminal  
 FH=Female Housing      MT=Male Terminal  
 S=Straight pin              R=Right pin  
 SW=Straight pin with Peg      RW=Right pin with Peg  
 SB=Straight pin Special Type      RB=Right pin with Ears

## PCB Connector Series

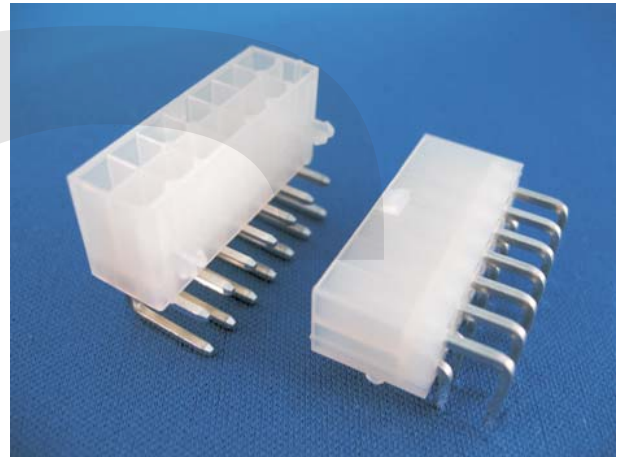
KLS1-4.20 Pitch=4.20mm TYPE

### Electrical Specification:

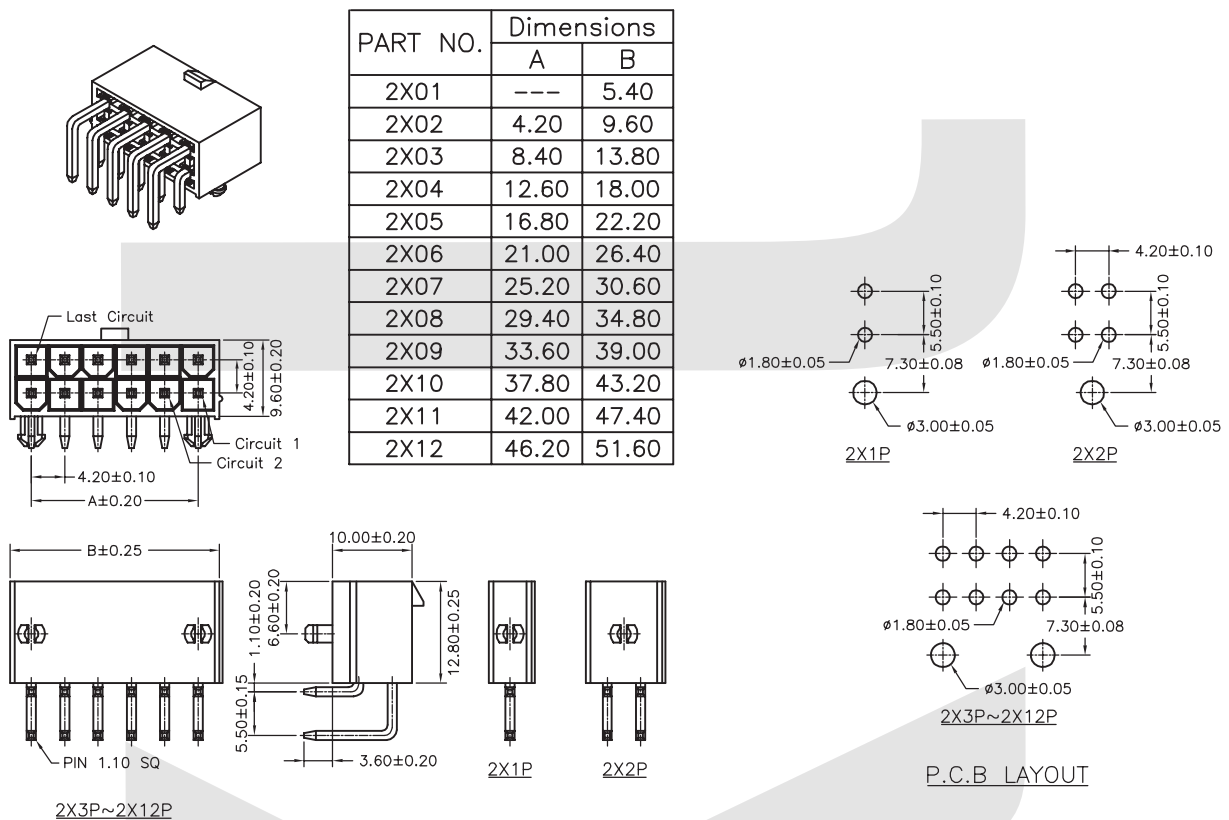
Rated Voltage: 300V AC/DC  
 Rated Current: 9A  
 Contact Resistance: 0.015Ω max  
 Insulation Resistance: 1000MΩ min  
 Withstand voltage: 1500V AC/MIN  
 Temperature range for usage : -40°C~+105°C

### Material:

Housing: PA66 (PA66) UL94V-2  
 Contacts: Brass  
 Plating: Tin 50u" over 100u" nickel  
 Wire range : AWG#30~#22



### Double layer Right pin With Peg



## ORDER INFORMATION

Product NO.: KLS1-4.20 -2X05-RW

Pitch: 4.20=4.20mm  
 Pins: 1-Single layer 2-Double layer  
 Pin Number: 2~12Pin

Type: MH=Male Housing FH=Female Housing S=Straight pin SW=Straight pin with Peg SB=Straight pin Special Type  
 FT=Female Terminal MT=Male Terminal R=Right pin RW=Right pin with Peg RB=Right pin with Ears



## PCB Connector Series

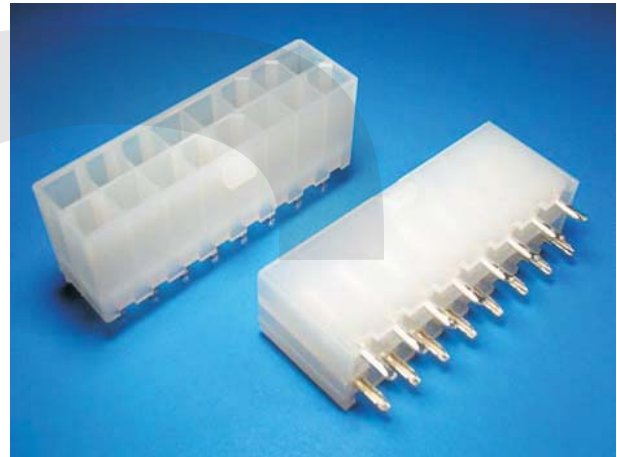
KLS1-4.20 Pitch=4.20mm TYPE

### Electrical Specification:

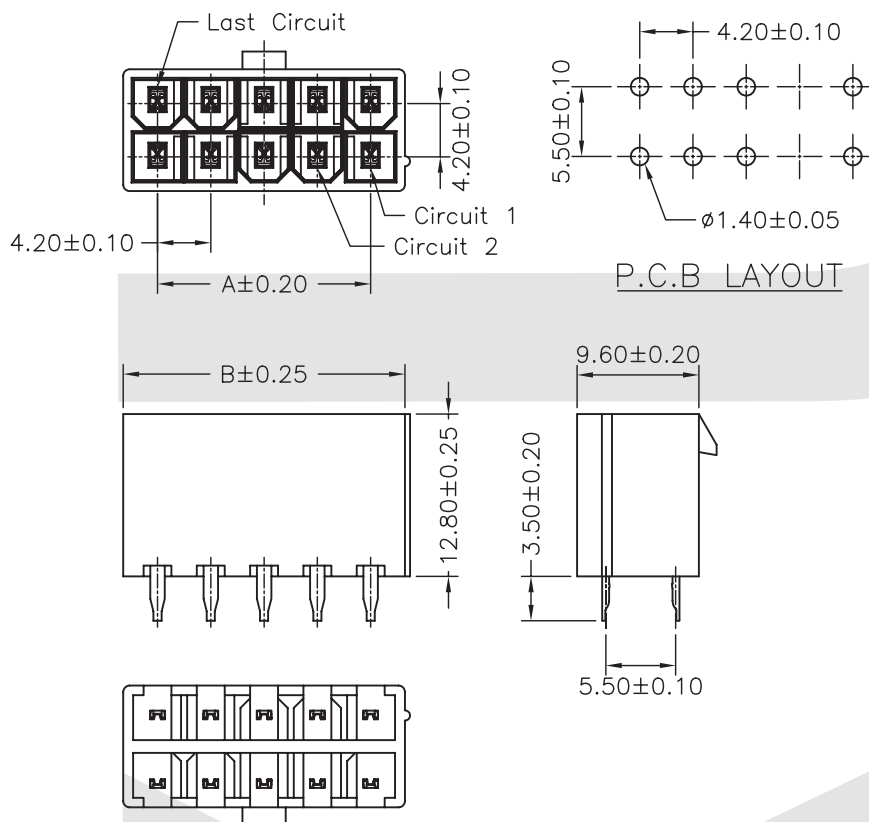
- Rated Voltage: 300V AC/DC
- Rated Current: 9A
- Contact Resistance: 0.015Ω max
- Insulation Resistance: 1000MΩ min
- Withstand voltage: 1500V AC/MIN
- Temperature range for usage : -40°C~+105°C

### Material:

- Housing: PA66 (PA66) UL94V-2
- Contacts: Brass
- Plating: Tin 50u" over 100u" nickel
- Wire range : AWG#30~#22



### Double layer Straight pin



PART NO.	Dimensions	
	A	B
2X01	---	5.40
2X02	4.20	9.60
2X03	8.40	13.80
2X04	12.60	18.00
2X05	16.80	22.20
2X06	21.00	26.40
2X07	25.20	30.60
2X08	29.40	34.80
2X09	33.60	39.00
2X10	37.80	43.20
2X11	42.00	47.40
2X12	46.20	51.60

## ORDER INFORMATION

Product NO.: KLS1-4.20 -2X05-SB

Pitch: 4.20=4.20mm  
Pins: 1-Single layer  
Pin Number: 2~12Pin

2-Double layer

Type: MH=Male Housing      FT=Female Terminal  
 FH=Female Housing      MT=Male Terminal  
 S=Straight pin              R=Right pin  
 SW=Straight pin with Peg      RW=Right pin with Peg  
 SB=Straight pin Special Type      RB=Right pin with Ears

## PCB Connector Series

KLS1-4.20 Pitch=4.20mm TYPE

### Electrical Specification:

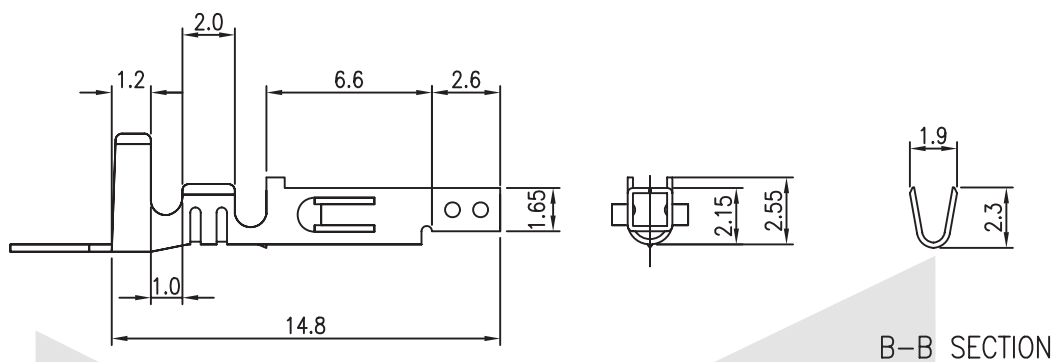
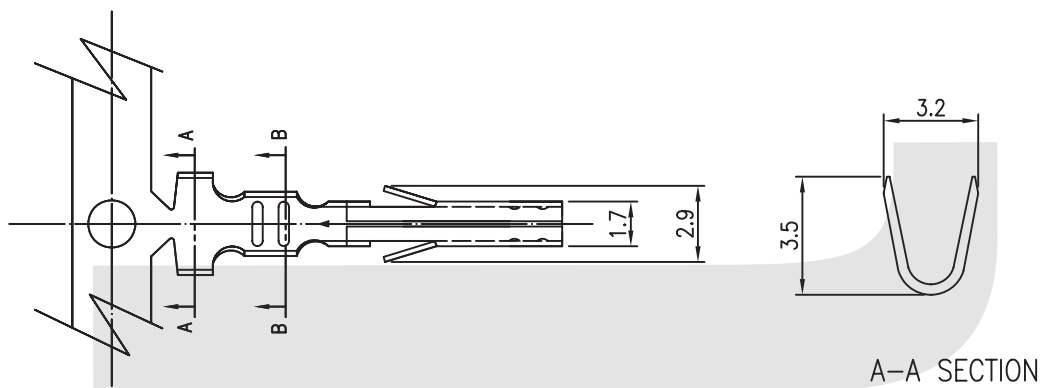
Rated Voltage: 300V AC.DC  
 Rated Current: 9A  
 Contact Resistance: 0.015Ω max  
 Insulation Resistance: 1000MΩ min  
 Withstand voltage: 1500V AC/MIN  
 Temperature range for usage : -40°C~+105°C

### Material:

Housing: PA66 (PA66) UL94V-2  
 Contacts: Brass  
 Plating: Tin 50u" over 100u" nickel  
 Wire range : AWG#30~#22



### Female Terminal



## ORDER INFORMATION

Product NO.: KLS1-4.20 -FT

Pitch: 4.20=4.20mm

Type:MH=Male Housing FT=Female Terminal  
 FH=Female Housing MT=Male Terminal  
 S=Straight pin R=Right pin  
 SW=Straight pin with Peg RW=Right pin with Peg  
 SB=Straight pin Special Type RB=Right pin with Ears



**PCB Connector Series**

KLS1-4.20 Pitch=4.20mm TYPE

**Electrical Specification:**

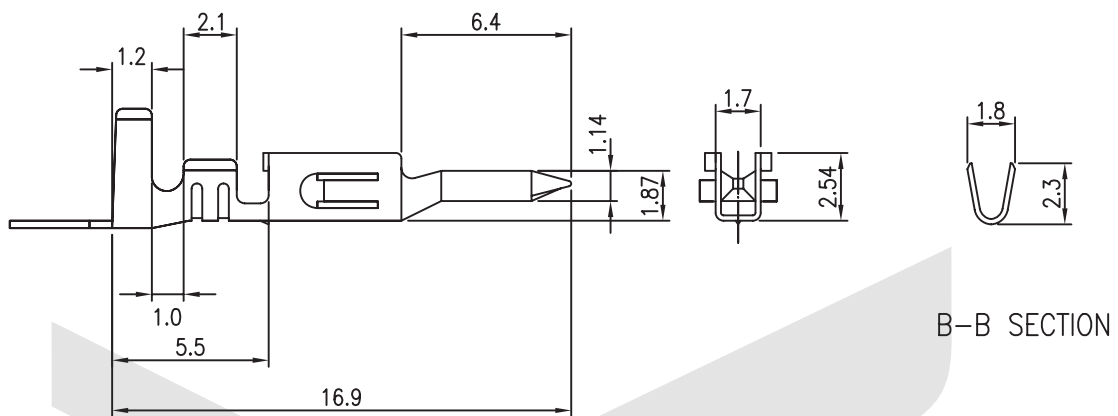
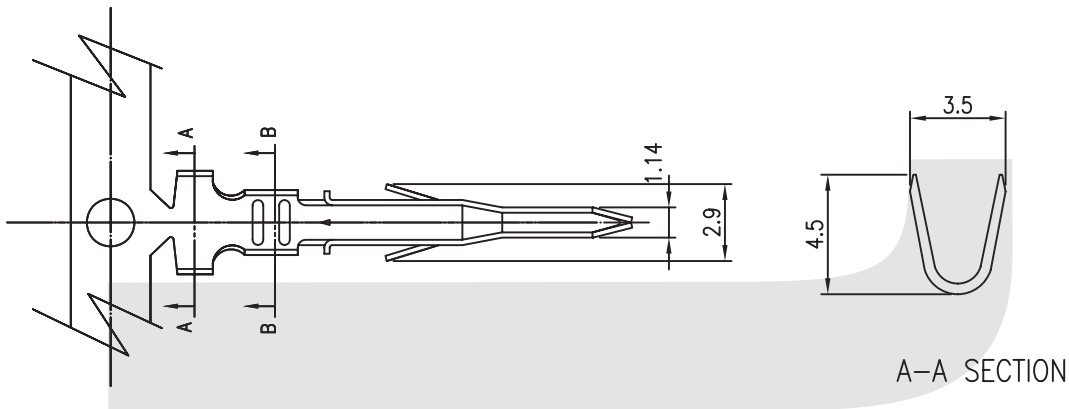
- Rated Voltage: 300V AC.DC
- Rated Current: 9A
- Contact Resistance: 0.015Ω max
- Insulation Resistance: 1000MΩ min
- Withstand voltage: 1500V AC/MIN
- Temperature range for usage : -40°C~+105°C

**Material:**

- Housing: PA66 (PA66) UL94V-2
- Contacts: Brass
- Plating: Tin 50u" over 100u" nickel
- Wire range : AWG#30~#22



**Male Terminal**



**ORDER INFORMATION**

Product NO.: KLS1-4.20 -MT

Pitch: 4.20=4.20mm

- Type: MH=Male Housing      FT=Female Terminal
- FH=Female Housing    MT=Male Terminal
- S=Straight pin          R=Right pin
- SW=Straight pin with Peg    RW=Right pin with Peg
- SB=Straight pin Special Type    RB=Right pin with Ears

## PCB Connector Series

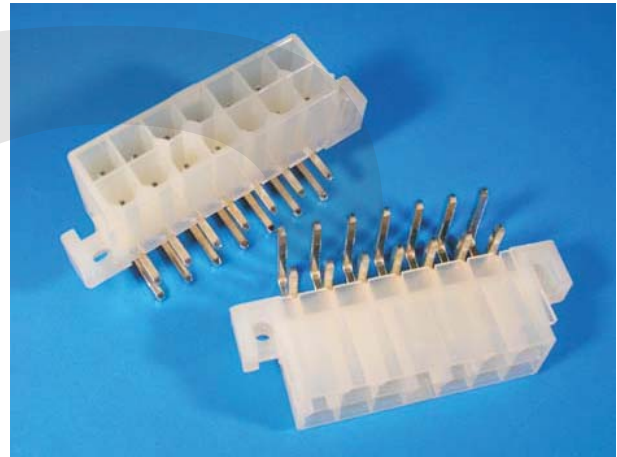
KLS1-4.20 Pitch=4.20mm TYPE

### Electrical Specification:

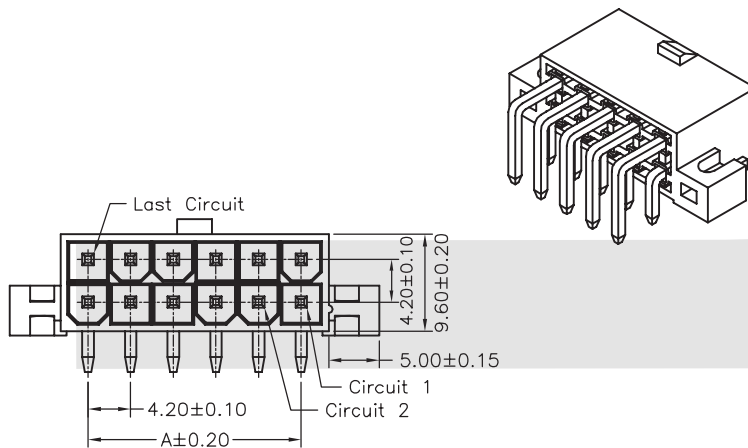
Rated Voltage: 300V AC.DC  
 Rated Current: 9A  
 Contact Resistance: 0.015Ω max  
 Insulation Resistance: 1000MΩ min  
 Withstand voltage: 1500V AC/MIN  
 Temperature range for usage: -40°C~+105°C

### Material:

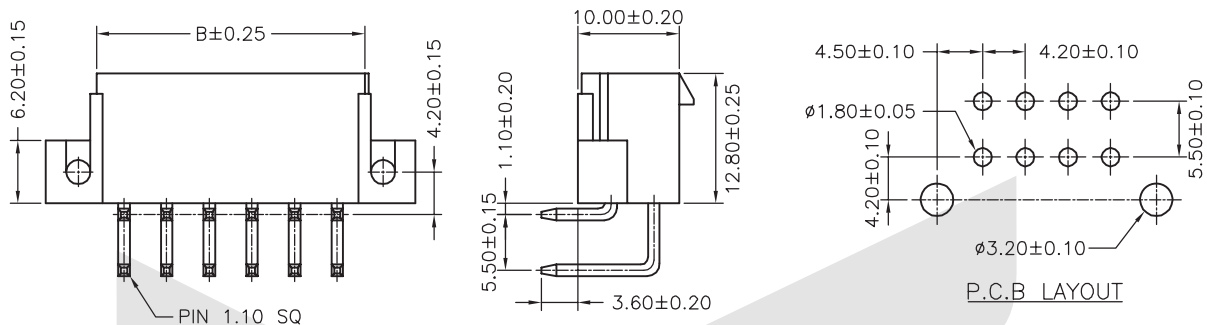
Housing: PA66 (PA66) UL94V-2  
 Contacts: Brass  
 Plating: Tin 50u" over 100u" nickel  
 Wire range : AWG#30~#22



### Double layer Right pin With Peg



PART NO.	Dimensions	
	A	B
2X01	---	5.40
2X02	4.20	9.60
2X03	8.40	13.80
2X04	12.60	18.00
2X05	16.80	22.20
2X06	21.00	26.40
2X07	25.20	30.60
2X08	29.40	34.80
2X09	33.60	39.00
2X10	37.80	43.20
2X11	42.00	47.40
2X12	46.20	51.60



## ORDER INFORMATION

Product NO.: KLS1-4.20 -2X05-RB

Pitch: 4.20=4.20mm  
 Pins: 1-Single layer  
 Pin Number: 2~12Pin

2-Double layer

Type:MH=Male Housing      FT=Female Terminal  
 FH=Female Housing      MT=Male Terminal  
 S=Straight pin              R=Right pin  
 SW=Straight pin with Peg      RW=Right pin with Peg  
 SB=Straight pin Special Type      RB=Right pin with Ears