

IC Socket Series

KLS1-216B IC Socket 1.778mm

Electrical Characteristics:

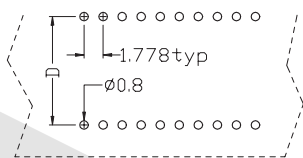
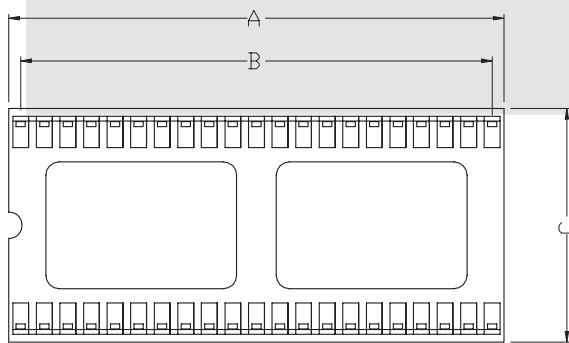
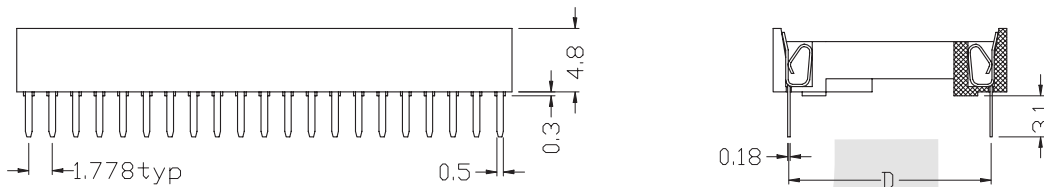
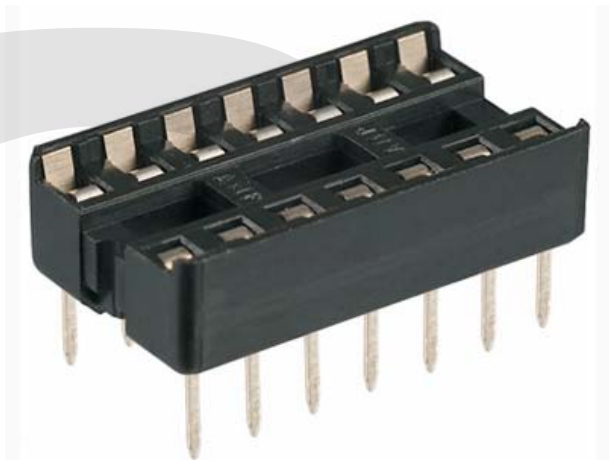
Current Rating: 1 AMP
 Insulator Resistance: 5000MΩmin. at DC 500V
 Contact Resistance: 20mΩmax. at DC 100mA
 Operating Temperature: -45 C~+105 C

Material:

Housing: 30% Glass filled PBT UL94V-0
 Contacts: Phosphor Bronze
 Plating: Tin plated: 100u" over 50u" nickel

Features:

*IC Socket Strips - with screw machind pins



P.C.B Layout

Dimension

position	A	B	C	D
24	21.30	19.56	12.65	10.16
28	25.17	23.11	12.65	10.16
30	26.60	24.89	12.65	10.16
40	35.84	33.78	17.73	15.24
42	37.46	35.56	17.73	15.24
48	42.79	40.89	17.73	15.24
52	46.35	44.45	17.73	15.24
56	49.91	48.01	17.73	15.24
64	57.04	55.12	21.54	19.05

ORDER INFORMATION

Product No.: KLS1-216B-XX-1

Pos. No. _____ Row spacing Code: 1: D=10.16mm 2: B= 15.24mm 3:B=19.05mm
 IC Socket 1.778mm Series _____ Number of Contacts: XX=24-64Pin

IC Socket Series

KLS1-216 IC SOCKET 2.54mm(0.100")

Electrical Characteristics:

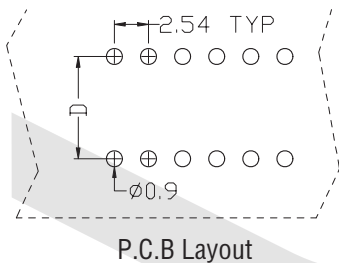
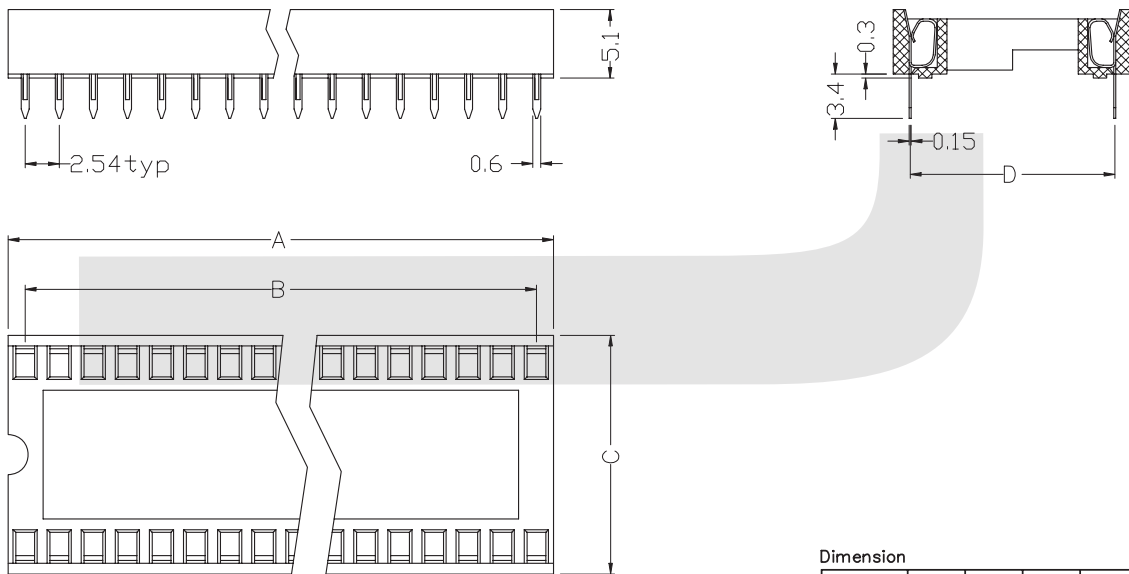
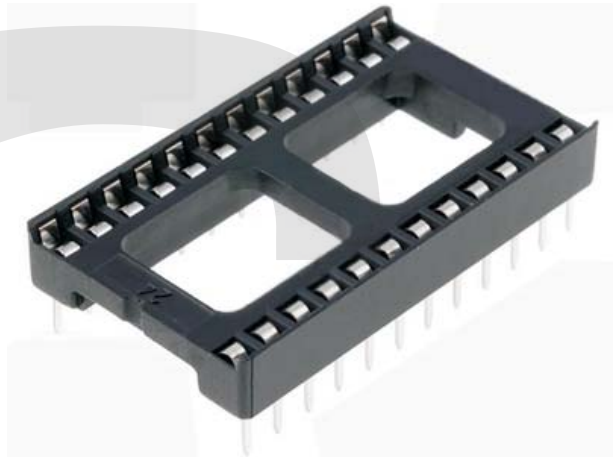
Current Rating: 1 AMP
 Insulator Resistance: 5000MΩmin. at DC 500V
 Contact Resistance: 20mΩmax. at DC 100mA
 Operating Temperature: -45°C~+105°C

Material:

Housing: 30% Glass filled PBT UL94V-0
 Contacts: Phosphor Bronze
 Plating: Tin plated: 100u" over 50u" nickel

Features:

*IC Socket Strips - with screw machind pins



Dimension

position	A	B	C	D
08	10.16	7.62	10.16	7.62
14	17.78	15.24	10.16	7.62
16	20.32	17.78	10.16	7.62
18	22.86	20.32	10.16	7.62
20	25.40	22.86	10.16	7.62
24	30.48	27.94	10.16	7.62
24	30.48	27.94	17.78	15.24
28	35.56	33.02	10.16	7.62
28	35.56	33.02	17.78	15.24
32	40.54	38.10	17.78	15.24
40	50.80	48.26	17.78	15.24
42	53.21	50.80	17.78	15.24
48	60.80	58.42	17.78	15.24

ORDER INFORMATION

Product No.: KLS1-216-XX-D

Pos. No. _____ D=15.24mm plastic space Without D=7.62mm plastic space
 IC Socket 2.54mm Series _____ Number of Contacts: XX=08~48Pin

IC Socket Series

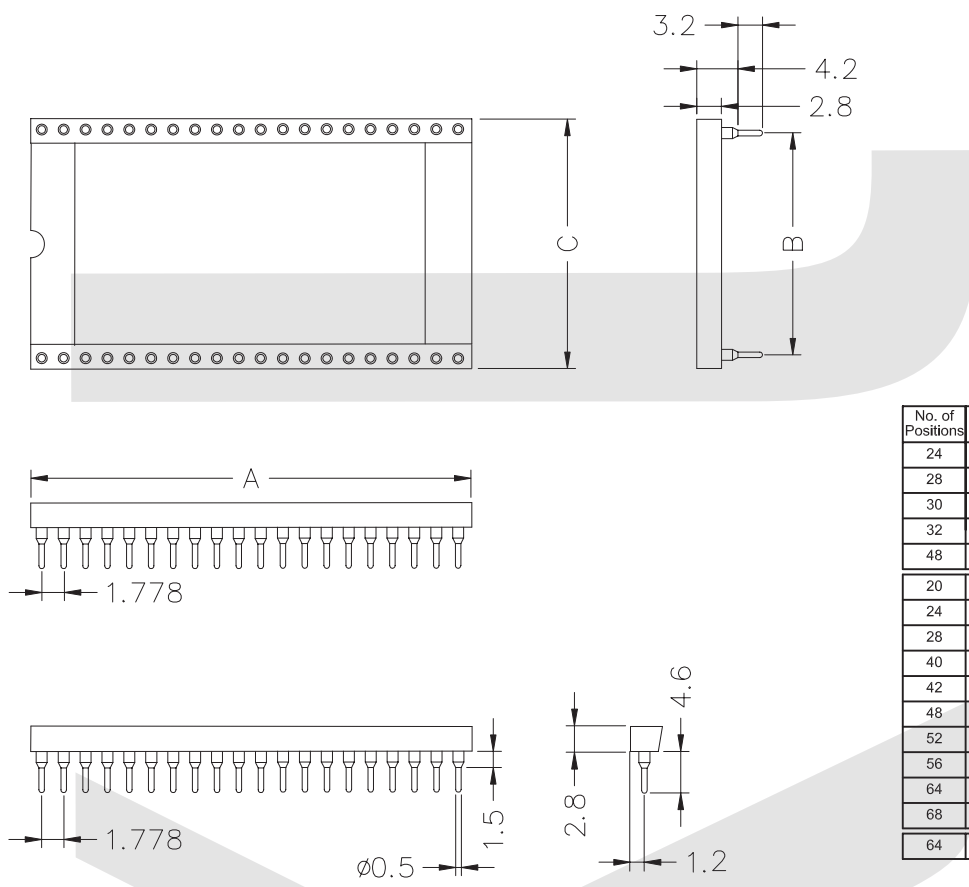
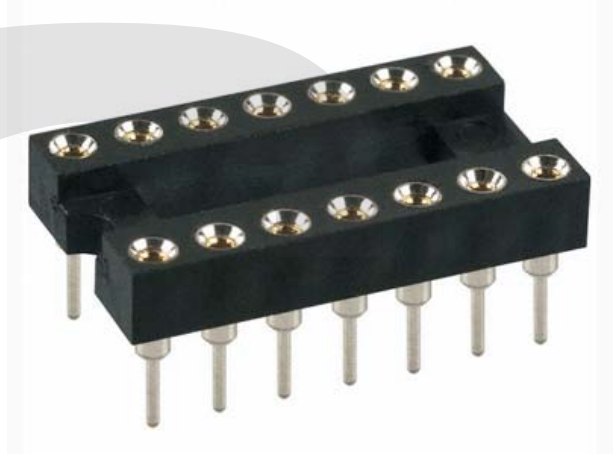
KLS1-217B DUAL-IN-LINE IC Socket 1.778mm With Round Pin

Electrical Characteristics:

Current Rating: 1 AMP
 Insulator Resistance: 5000MΩmin. at DC 500V
 Contact Resistance: 20mΩmax. at DC 100mA
 Operating Temperature: -45°C~+105°C

Material:

Housing: 30% Glass filled PBT UL94V-0
 Contacts: Brass or Phosphor Bronze
 Plating: Selective gold plated: gold plated on Mating area and nickel plated on wire cutting area
 Gold plated: 3u" over 50u" nickel
 Tin plated: 100u" over 50u" nickel



No. of Positions	A	B	C
24	21.8	10.16	12.7
28	25.2	10.16	12.7
30	27.0	10.16	12.7
32	28.8	10.16	12.7
48	43.1	10.16	12.7
20	18.1	15.24	17.64
24	21.7	15.24	17.64
28	25.2	15.24	17.64
40	35.8	15.24	17.64
42	37.7	15.24	17.64
48	43.1	15.24	17.64
52	46.7	15.24	17.64
56	50.2	15.24	17.64
64	57.3	15.24	17.64
68	60.9	15.24	17.64
64	57.3	19.05	21.45

ORDER INFORMATION

Product No.: **KLS1-217B-XX-1**

Pos. NO. _____
 DUAL-IN-LINE IC Socket 1.778mm with Round Pin Series
 Row spacing Code: 1: B=10.16mm 2: B=15.24mm 3: B=19.05mm
 Number of Contacts: XX=20-64Pin

IC Socket Series

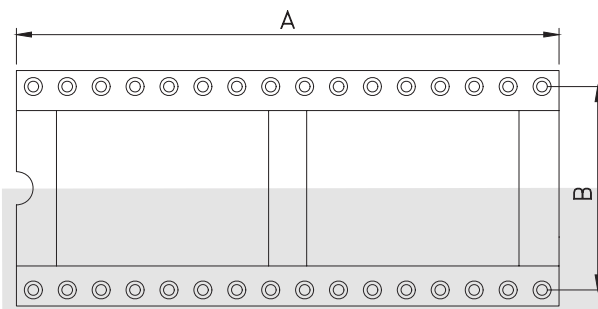
KLS1-217 DUAL-IN-LINE IC Socket 2.54mm With Round Pin

Electrical Characteristics:

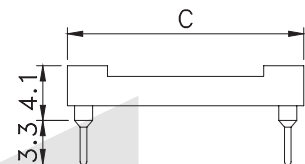
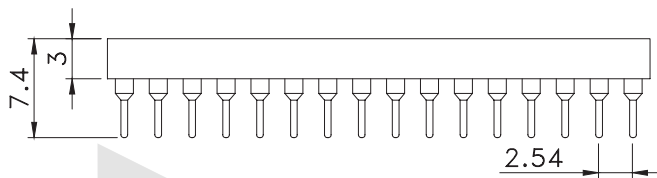
Current Rating: 1 AMP
 Insulator Resistance: 5000MΩmin. at DC 500V
 Contact Resistance: 20mΩmax. at DC 100mA
 Operating Temperature: -45°C~+105°C

Material:

Housing: PBT UL94V ~ 0
 Contacts: PinBrass, TinPlated
 Contacts: Clip-Beryllium copper, Gold Plated



CIRCUITS	DIM.A	DIM.B	DIM.C
06	7.62	7.62	10.16
08	10.16	7.62	10.16
14	17.78	7.62	10.16
16	20.32	7.62	10.16
18	22.86	7.62	10.16
20	25.40	7.62	10.16
22	27.94	7.62	10.16
24	30.48	7.62	10.16
28	35.56	7.62	10.16
24	30.48	15.24	17.78
28	35.56	15.24	17.78
32	40.64	15.24	17.78
40	50.80	15.24	17.78
42	53.34	15.24	17.78
48	60.96	15.24	17.78



ORDER INFORMATION

Product No.: KLS1-217-XX-Y-1

Pos. NO. _____
 DUAL-IN-LINE IC Socket 2.54mm with Round Pin Series
 Number of Contacts: XX=06-48Pin
 Row spacing Code: 1: B=7.62mm 2: B=15.24mm
 Y-Imported material Z-Domestic material

IC Socket Series

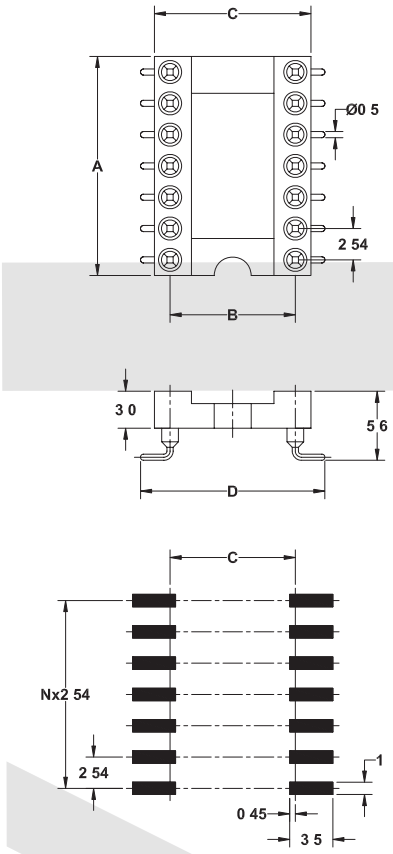
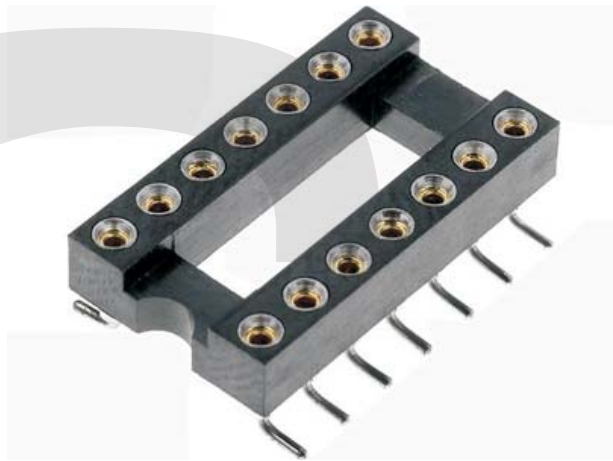
KLS1-217T IC Socket 2.54mm With Round Pin SMT Type

Electrical Characteristics:

Current Rating: 1 AMP
 Insulator Resistance: 5000MΩmin. at DC 500V
 Contact Resistance: 20mΩmax. at DC 100mA
 Operating Temperature: -45°C~+105°C

Material:

Housing: PBT UL94V ~ 0
 Contacts: PinBrass, TinPlated
 Contacts: Clip-Beryllium copper, Gold Plated



No of Post ons	A	B	C	D
06	7.6	7.62	10.1	12.26
08	10.1	7.62	10.1	12.26
10	12.6	7.62	10.1	12.26
12	15.2	7.62	10.1	12.26
14	17.7	7.62	10.1	12.26
16	20.3	7.62	10.1	12.26
18	22.8	7.62	10.1	12.26
20	25.3	7.62	10.1	12.26
22	27.8	7.62	10.1	12.26
24	30.4	7.62	10.1	12.26
28	35.5	7.62	10.1	12.26
20	25.4	10.16	12.6	14.80
22	27.8	10.16	12.6	14.80
24	30.4	10.16	12.6	14.80
28	35.5	10.16	12.6	14.80
32	40.6	10.16	12.6	14.80
24	30.5	15.24	17.7	19.88
28	35.5	15.24	17.7	19.88
32	40.6	15.24	17.7	19.88
36	45.7	15.24	17.7	19.88
40	50.8	15.24	17.7	19.88
42	53.3	15.24	17.7	19.88
48	60.9	15.24	17.7	19.88

ORDER INFORMATION

Product No.: KLS1-217T-XX-Z-1

Pos. NO. _____
 DUAL-IN-LINE IC Socket 2.54mm with Round Pin Series
 Number of Contacts: XX=06-48Pin
 Row spacing Code: 1: B=7.62mm 2: B=10.16mm
 3: B=15.24mm
 Y-Imported material Z-Domestic material

PLCC Socket Series

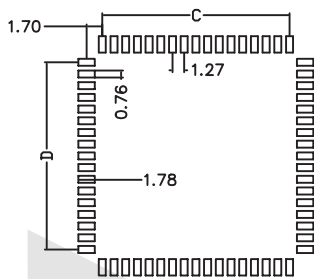
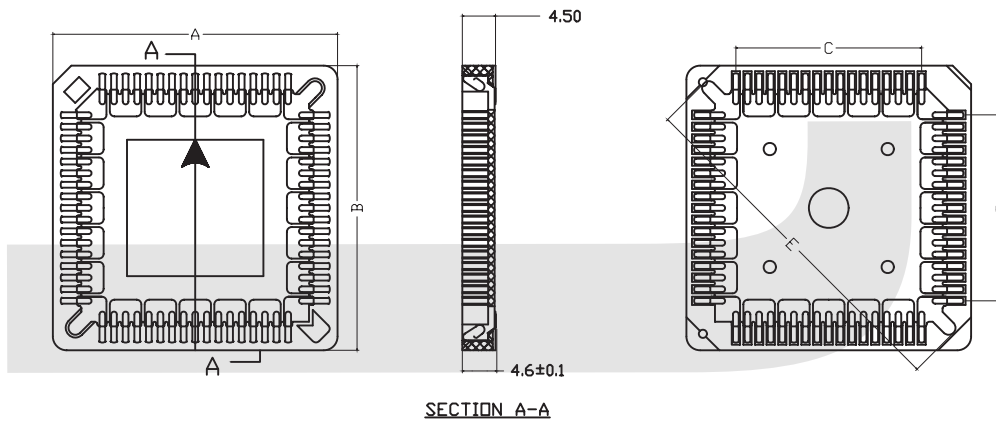
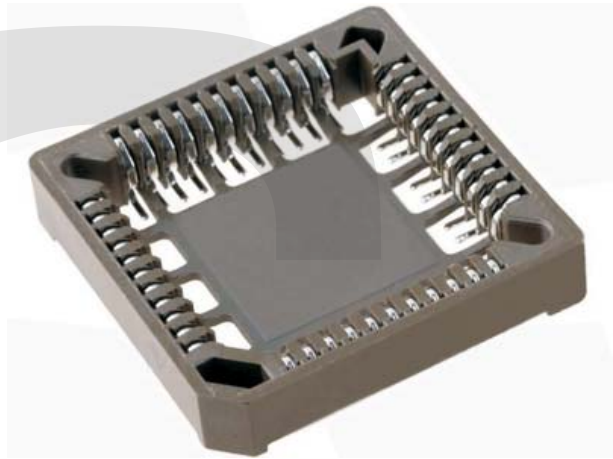
KLS1-210 PLCC CHIP CARRIER SOCKET SMT TYPE

Electrical Characteristics:

Current Rating: 1 AMP
 Insulator Resistance: 5000M Ohm min. at DC 500V
 Contact Resistance: 20m Ohm max. at DC 100mA
 Operating Temperature: -45°C~+110°C
 Soldering temperature: 240°C .10 Seconds max

Material:

Housing: 30% Glass filled PPS&PBT UL94V-0
 Contacts: Phosphor Bronze
 Plating: Tin plated: 120u" over 80u" nickel



P.C.B LAYOUT

NO. OF CONTACT	A±0.2	B±0.2	C±0.1	D±0.1	E±0.2
20	15.66	15.66	5.08	5.08	17.28
28	18.20	18.20	7.62	7.62	20.87
32	18.20	20.74	7.62	10.16	23.15
44	23.28	23.28	12.70	12.70	28.05
52	25.82	25.82	15.24	15.24	31.65
68	30.90	30.90	20.32	20.32	38.83
84	35.98	35.98	25.40	25.40	46.00

ORDER INFORMATION

Product No.: KLS1-210-S-XX-A

Pos. No. _____ Color: A=Brown B=Black
 PLCC CHIP CARRIER SOCKET Series _____ Number of Contacts: XX=20-84Pin
 S=SMT

PLCC Socket Series

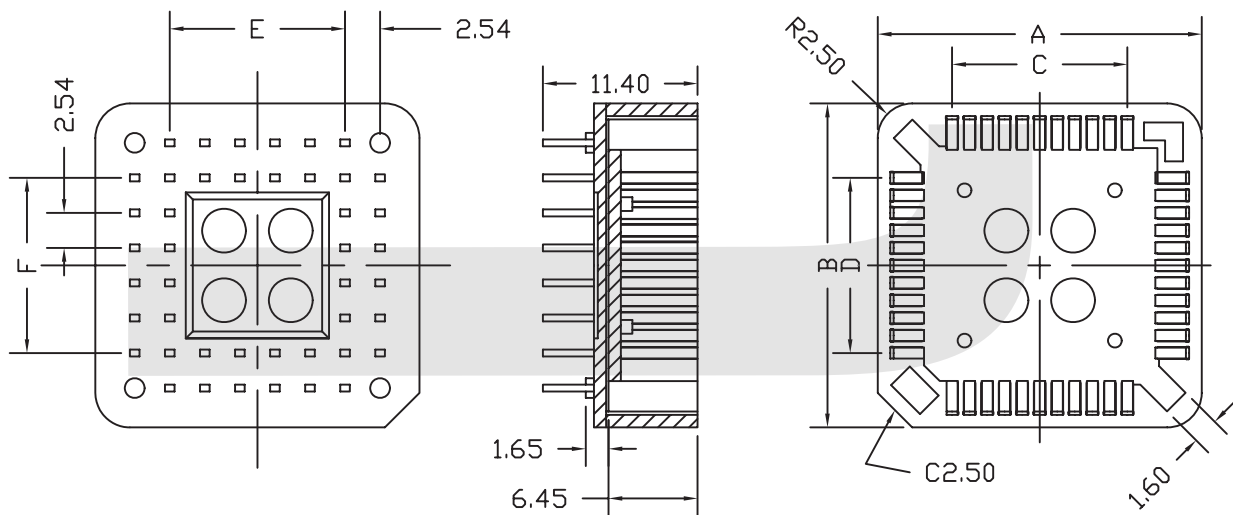
KLS1-210 PLCC CHIP CARRIER SOCKET DIP TYPE

Electrical Characteristics:

Current Rating: 1 AMP
 Insulator Resistance: 5000M Ohm min. at DC 500V
 Contact Resistance: 20m Ohm max. at DC 100mA
 Operating Temperature: -45°C~+110°C
 Soldering temperature: 240°C. 10seconds max

Material:

Housing: 30% Glass filled PPS&PBT UL94V-0
 Contacts: Phosphor Bronze
 Plating: Tin plated: 120u" over 80u" nickel



MIDDLE TYPE:

NO OF CONTACT	A±0.15	B±0.15	C±0.1	D±0.1	E±0.1	F±0.1
20	15.50	15.50	5.08	5.08	5.08	5.08
28	18.04	18.04	7.62	7.62	7.62	7.62
32	18.04	20.60	7.62	10.16	7.62	10.16
44	23.48	23.48	12.70	12.70	12.70	12.70
52	25.88	25.88	15.24	15.24	15.24	15.24
68	31.04	31.04	20.32	20.32	20.32	20.32
84	36.04	36.04	25.40	25.40	25.40	25.40

ORDER INFORMATION

Product No.: KLS1-210-D-XX-B

Pos. No. _____
 PLCC Chip Carrier Socket Series

Color: A=Brown B=Black
 Number of Contacts: XX=20-84Pin
 D=DIP

IC Socket Series

KLS1-209C IC Socket With Round Pin 1.778mm

Electrical Characteristics:

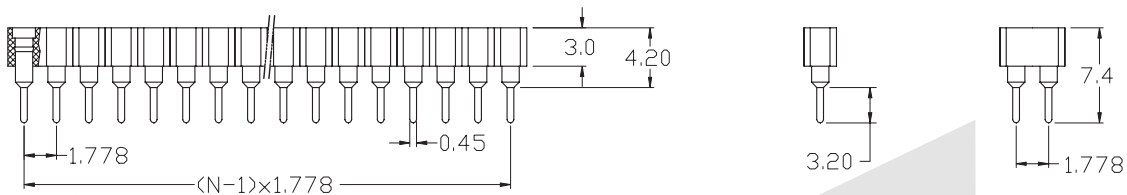
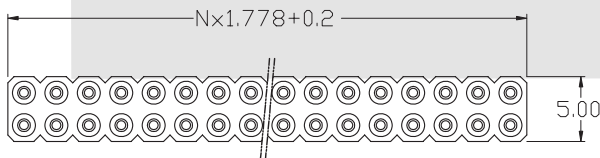
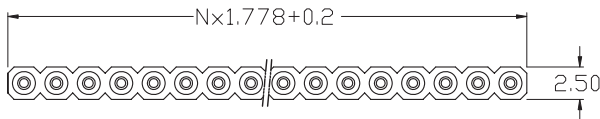
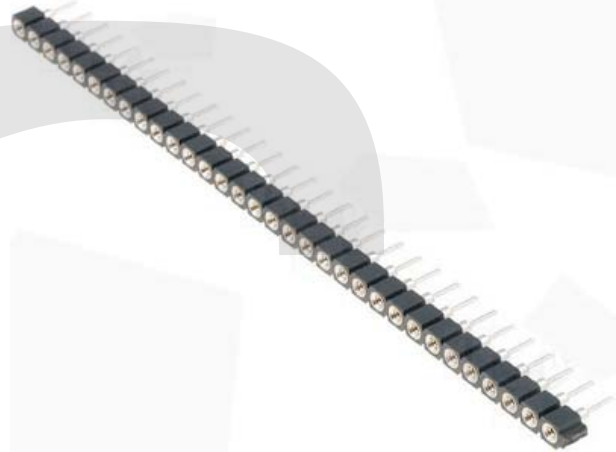
Current Rating: 1 AMP
 Insulator Resistance: 5000MΩmin. at DC 500V
 Contact Resistance: 20mΩmax. at DC 100mA
 Operating Temperature: -45°C~+105°C

Material:

Housing: 30% Glass filled PBT UL94V-0
 Contacts: Phosphor Bronze or Brass
 Plating: Gold plated: 2u" over 50u" nickel
 Tin plated: 100u" over 50u" nickel

Features:

- *IC Socket Strips - with screw machind pins
- *Single or double row - solder tail ~ standard 4 finger clip contacts



ORDER INFORMATION

Product No.: KLS1-209C-1-XX-S

Pos. No. _____ Straight pin
 IC Socket With Round Pin 1.778mm _____ Total pin number
 1=Single layer 2=Double layer

IC Socket Series

KLS1-209B IC Socket With Round Pin 2.00mm(0.079")

Electrical Characteristics:

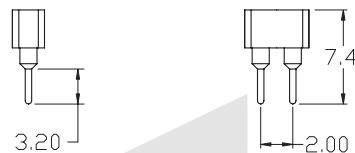
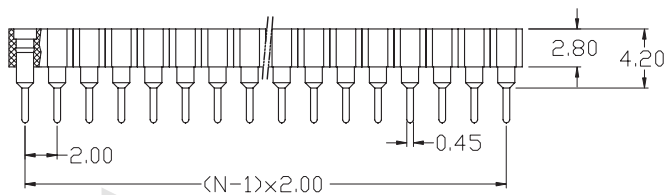
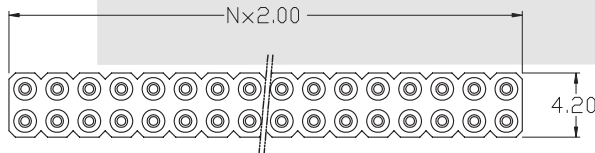
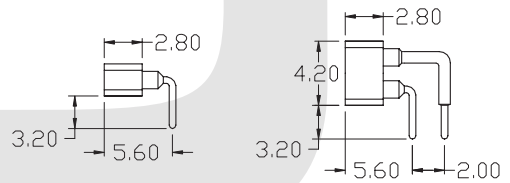
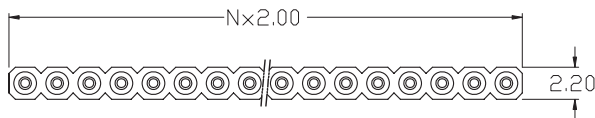
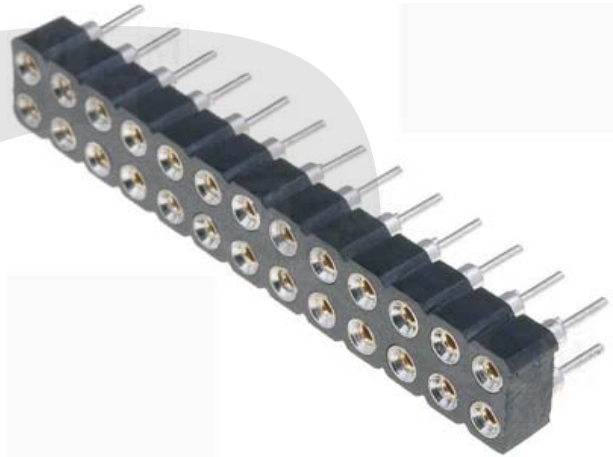
Current Rating: 1 AMP
 Insulator Resistance: 5000MΩmin. at DC 500V
 Contact Resistance: 20mΩmax. at DC 100mA
 Operating Temperature: -45°C~+105°C

Material:

Housing: 30% Glass filled PBT UL94V-0
 Contacts: Phosphor Bronze or Brass
 Plating: Gold plated: 2u" over 50u" nickel
 Tin plated: 100u" over 50u" nickel

Features:

*IC Socket Strips - with screw machined pins
 *Single or double row - solder tail ~ standard 4 finger clip contacts



ORDER INFORMATION

Product No.: KLS1-209B-1-XX-S

Pos. No. _____ S=Straight R=Right
 IC Socket With Round Pin 2.00mm _____ Total pin number
 1=Single layer 2=Double layer



IC Socket Series

KLS1-209 IC Socket With Round Pin 2.54mm(0.100") Single layer Type

Electrical Characteristics:

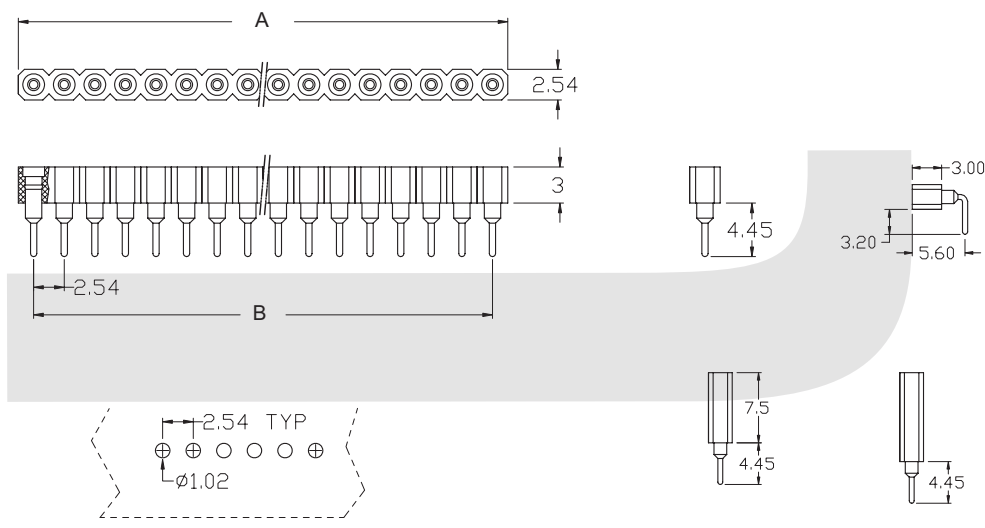
Current Rating: 1 AMP
 Insulator Resistance: 5000MΩmin. at DC 500V
 Contact Resistance: 20mΩmax. at DC 100mA
 Operating Temperature: -45°C~+105°C

Material:

Housing: 30% Glass filled PBT UL94V-0
 Contacts: Phosphor Bronze or Brass
 Plating: Gold plated: 2u" over 50u" nickel
 Tin plated: 100u" over 50u" nickel

Features:

- *IC Socket Strips - with screw machind pins
- *Single or double row - solder tail ~ standard 4 finger clip contacts

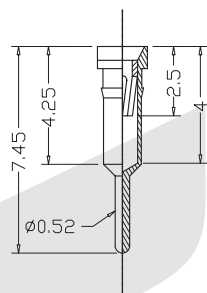


PCB LAYOUT

L1 TYPE

L2 TYPE

Position	2 Thru 80
Dimension	
A±0. 2	2. 54xNo. Of Positions
B±0. 15	2. 54xNo. Of Positions-2. 54



ORDER INFORMATION

Product No.: **KLS1-209-1-XX-S**

Pos. No. _____
 IC Socket With Round Pin 2.54mm _____

S=Straight R=Right
 Total pin number
 1=Single layer 2=Double layer

All specification & dimensions are subject to change, please call your nearest KLS sales representative for update information

IC Socket Series

KLS1-209 IC Socket With Round Pin 2.54mm(0.100") Double layer Type

Electrical Characteristics:

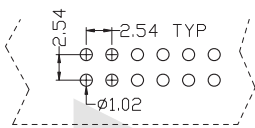
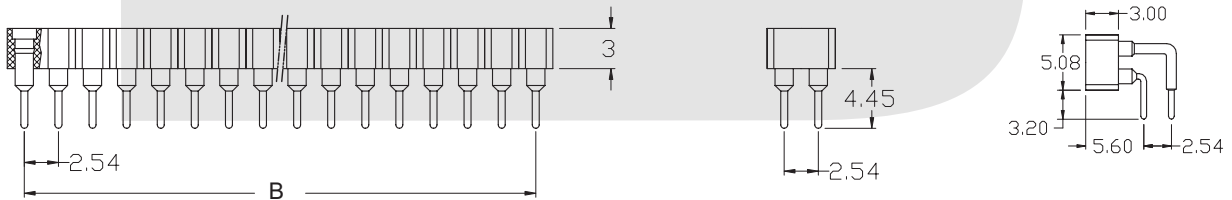
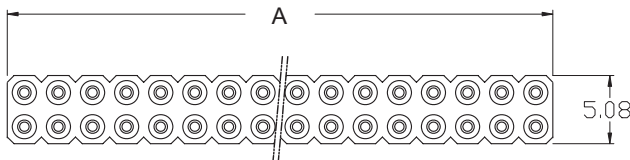
Current Rating: 1 AMP
 Insulator Resistance: 5000MΩmin. at DC 500V
 Contact Resistance: 20mΩmax. at DC 100mA
 Operating Temperature: -45°C~+105°C

Material:

Housing: 30% Glass filled PBT UL94V-0
 Contacts: Phosphor Bronze or Brass
 Plating: Gold plated: 2u" over 50u" nickel
 Tin plated: 100u" over 50u" nickel

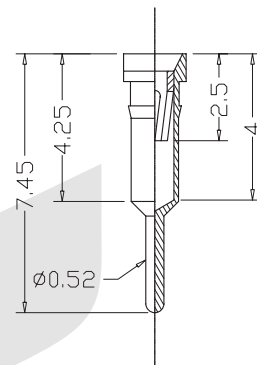
Features:

- *IC Socket Strips - with screw machind pins
- *Single or double row - solder tail ~ standard 4 finger clip contacts



PCB LAYOUT

Position	2 Thru 80
Dimension	
A±0.2	2.54xNo. Of Positions
B±0.15	2.54xNo. Of Positions-2.54



ORDER INFORMATION

Product No.: **KLS1-209-2-XX-S**

Pos. No. _____ S=Straight R=Right
 IC Socket With Round Pin 2.54mm _____ Total pin number
 _____ 1=Single layer 2=Double layer

DIP Socket Series

KLS1-108 ZIP DIP Socket 2.54mm(0.100") /锁紧双列

Electrical Characteristics:

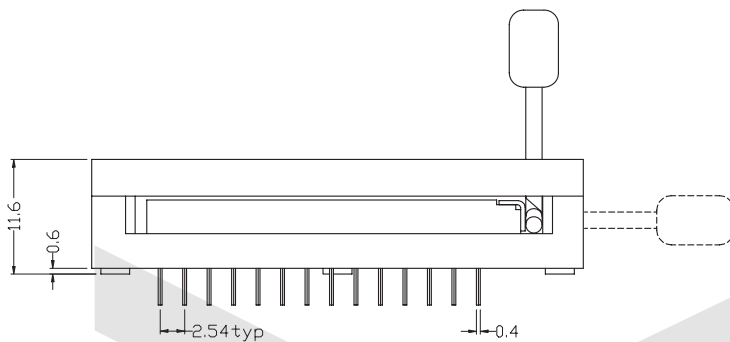
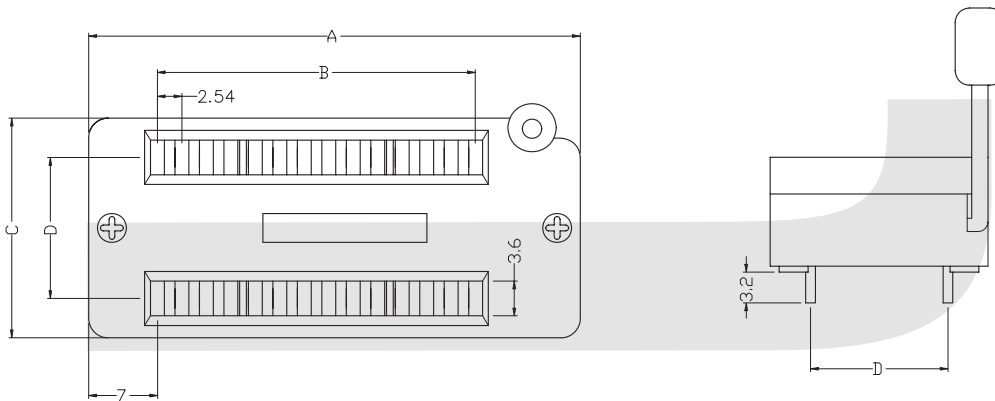
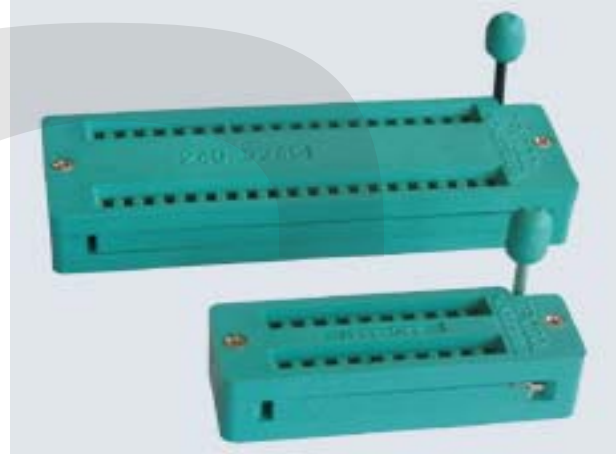
Current Rating: 1 AMP
Insulator Resistance: 5000MΩmin. at DC 500V
Contact Resistance: 20mΩmax. at DC 100mA
Operating Temperature: -45°C~+105°C

Material:

Housing: 30% Glass filled PBT UL94V-0
Contacts: Phosphor Bronze
Plating: Gold plated: 3u" over 50u" nickel
Tin plated: 100u" over 50u" nickel

Features:

- * For DIPs with .100" lead spacing.
- * Lever actuated zero insertion force mechanism.
- * Socket easily disassembles for reparability.
- * Socket contact point of .110" below top surface of socket.



Dimension

Position	A	B	C	D
14	33.2	15.24	14.90	7.62
16	35.7	17.78	14.90	7.62
20	40.8	22.86	14.90	7.62
24A	45.9	27.94	14.90	7.62
24B	45.9	27.94	22.80	15.24
28	51.0	33.02	22.80	15.24
32	56.1	38.10	22.80	15.24
40	66.2	48.26	22.80	15.24
48	76.4	58.42	22.80	15.24

ORDER INFORMATION

Product No.: KLS1-108-XX-D

Pos. No. _____ D=15.24mm plastic space Without D=7.62mm plastic space
ZIP DIP SOCKET 2.54mm Series _____ Number of Contacts: XX=14-48Pin

DIP Socket Series

KLS1-108X DOUBLE DIP SOCKET 2.54mm (0.100") /万用型锁紧双列

Electrical Characteristics:

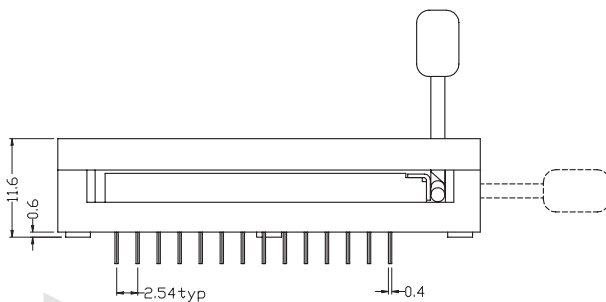
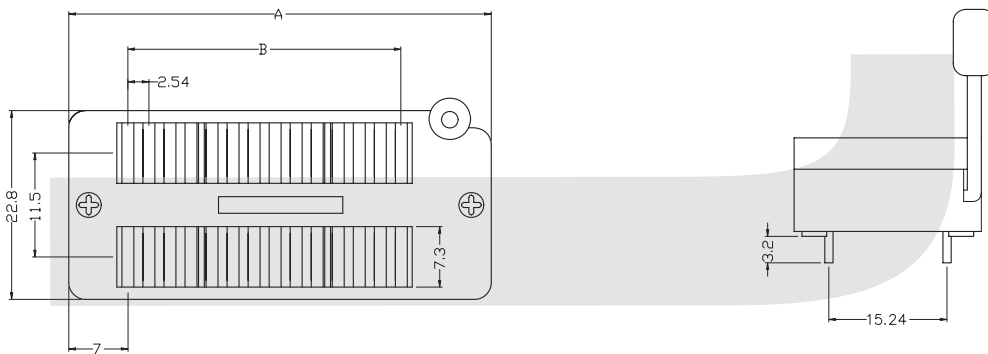
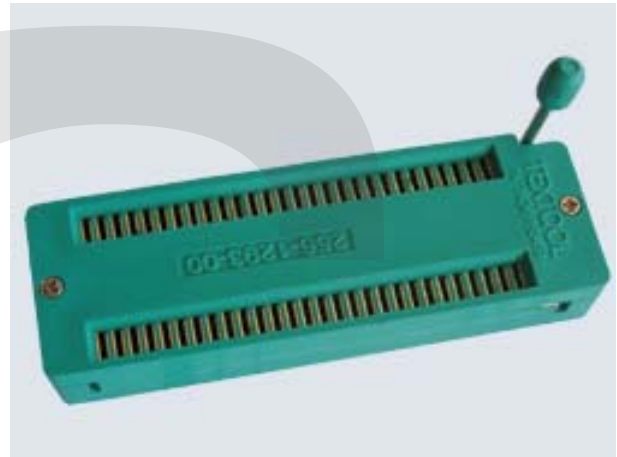
Current Rating: 1 AMP
Insulator Resistance: 5000MΩmin. at DC 500V
Contact Resistance: 20mΩmax. at DC 100mA
Operating Temperature: -45°C~+105°C

Material:

Housing: 30% Glass filled PBT UL94V-0
Contacts: Phosphor Bronze
Plating: Gold plated: 3u" over 50u" nickel
Tin plated: 100u" over 50u" nickel

Features:

- * For DiPs with .100" lead spacing.
- * Extra wide contact zone allows insertion of DIPs with distance between rows from .300" through .600".
- * Lever actuated zero instrtion force mechanism.
- * Socket easily disassembles for repairability.
- * Socket contact point of .090" below top surface of socket.



Dimension

Position	A	B
24	45.1	27.94
28	50.2	33.02
32	55.3	38.10
40	65.5	48.26
48	75.6	58.42

ORDER INFORMATION

Product No.: KLS1-108X-XX

Pos. No.

DOUBLE DIP SOCKET 2.54mm Series

Number of Contacts: XX=24-48Pin



DIP Socket Series

KLS1-108Y SHRINK DIP SOCKET 1.778mm (0.070") /密脚锁紧双列

Electrical Characteristics:

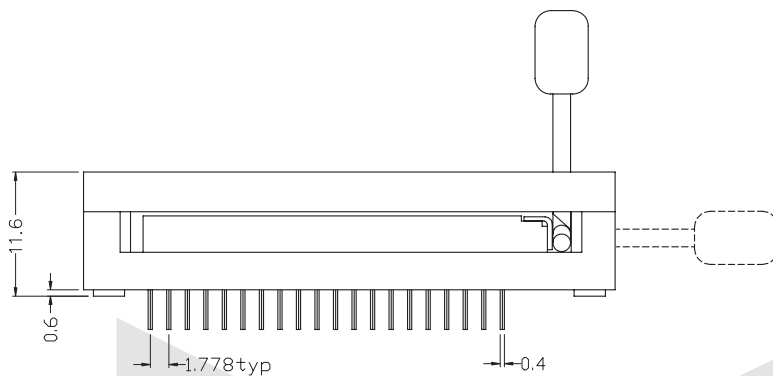
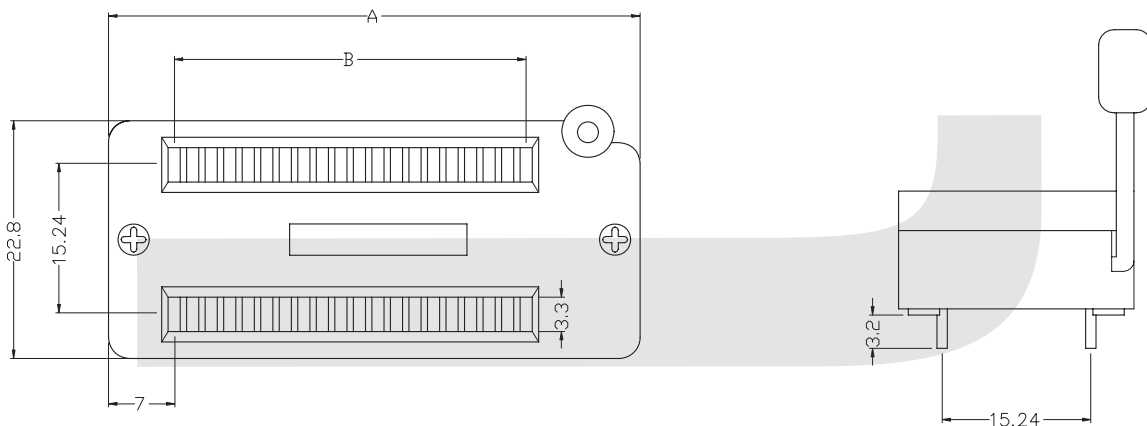
Current Rating: 1 AMP
Insulator Resistance: 5000MΩmin. at DC 500V
Contact Resistance: 20mΩmax. at DC 100mA
Operating Temperature: -45°C~+105°C

Material:

Housing: 30% Glass filled PBT UL94V-0
Contacts: Phosphor Bronze
Plating: Gold plated: 3u" over 50u" nickel
Tin plated: 100u" over 50u" nickel

Features:

- * For DIPs with .070" lead spacing.
- * Lever actuated zero instrtion force mechanism.
- * Socket contact point of .090" below top surface of socket.



Dimension

Position	A	B
28	40.5	23.12
40	51.2	33.78
56	65.4	48.00

ORDER INFORMATION

Product No.: KLS1-108Y-XX

Pos. No.

SHRINK DIP SOCKET 1.778mm Series

Number of Contacts: XX=28-56Pin