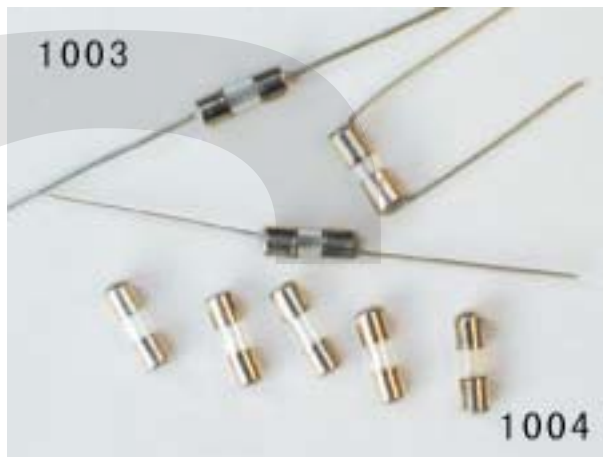
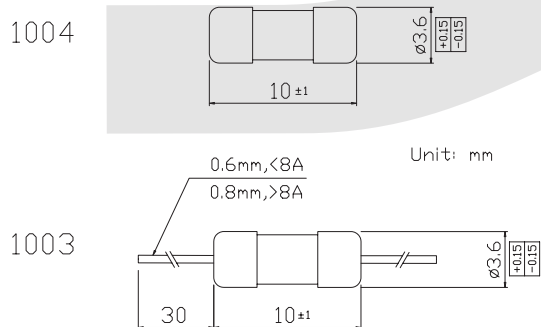


FUSE AND FUSE HOLDER

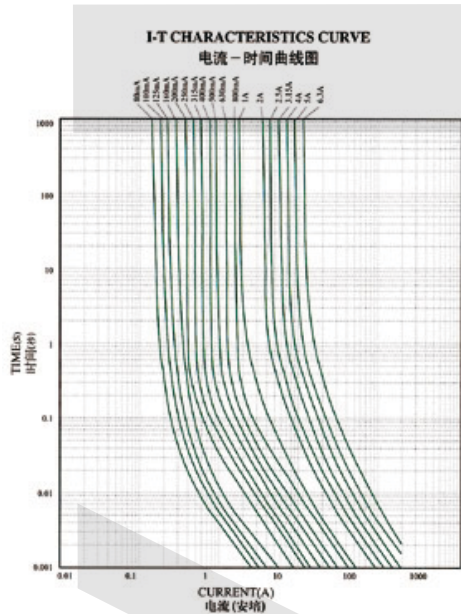
Φ3.6x10 Glass Tube Fuse Series

KLS5-1003/1004 Outer weld Φ3.6x10 Glass Tube Fuse (Fast Blow) Series



ELECTRICAL CHARACTERISTICS

RATING	1In	2In	2.75In	4In	10In
BLOWING TIME	Min 4h	Max 5s	Max 300ms	Max 30ms	Max 4ms



Part No.	Rated Current	Iv Voltage Drop	Voltage Rated
1004-0100	100mA	1750	125V/250V
1004-0125	125mA	1500	125V/250V
1004-0150	150mA	1500	125V/250V
1004-0160	160mA	1500	125V/250V
1004-0200	200mA	1500	125V/250V
1004-0250	250mA	1000	125V/250V
1004-0300	300mA	1000	125V/250V
1004-0315	315mA	1000	125V/250V
1004-0350	350mA	1000	125V/250V
1004-0400	400mA	1000	125V/250V
1004-0500	500mA	1000	125V/250V
1004-0600	600mA	900	125V/250V
1004-0700	700mA	500	125V/250V
1004-0750	750mA	500	125V/250V
1004-0800	800mA	275	125V/250V
1004-1000	1A	275	125V/250V
1004-1200	1.2A	275	125V/250V
1004-1250	1.25A	275	125V/250V
1004-1500	1.5A	275	125V/250V
1004-1600	1.6A	275	125V/250V
1004-1800	1.8A	275	125V/250V
1004-2000	2A	250	125V/250V
1004-2500	2.5A	250	125V/250V
1004-3000	3A	250	125V/250V
1004-3150	3.15A	250	125V/250V
1004-3500	3.5A	250	125V/250V
1004-4000	4A	225	125V/250V
1004-5000	5A	225	125V/250V
1004-6000	6A	225	125V/250V
1004-6300	6.3A	200	125V/250V
1004-7000	7A	200	125V/250V
1004-8000	8A	200	125V/250V
1004-10000	10A	200	125V/250V
1004-12000	12A	180	125V/250V
1004-15000	15A	180	125V/250V

Part No.	Rated Current	Iv Voltage Drop	Voltage Rated
1003-0100	100mA	1750	125V/250V
1003-0125	125mA	1500	125V/250V
1003-0150	150mA	1500	125V/250V
1003-0160	160mA	1500	125V/250V
1003-0200	200mA	1500	125V/250V
1003-0250	250mA	1000	125V/250V
1003-0300	300mA	1000	125V/250V
1003-0315	315mA	1000	125V/250V
1003-0350	350mA	1000	125V/250V
1003-0400	400mA	1000	125V/250V
1003-0500	500mA	1000	125V/250V
1003-0600	600mA	900	125V/250V
1003-0700	700mA	500	125V/250V
1003-0750	750mA	500	125V/250V
1003-0800	800mA	275	125V/250V
1003-1000	1A	275	125V/250V
1003-1200	1.2A	275	125V/250V
1003-1250	1.25A	275	125V/250V
1003-1500	1.5A	275	125V/250V
1003-1600	1.6A	275	125V/250V
1003-1800	1.8A	275	125V/250V
1003-2000	2A	250	125V/250V
1003-2500	2.5A	250	125V/250V
1003-3000	3A	250	125V/250V
1003-3150	3.15A	250	125V/250V
1003-3500	3.5A	250	125V/250V
1003-4000	4A	225	125V/250V
1003-5000	5A	225	125V/250V
1003-6000	6A	225	125V/250V
1003-6300	6.3A	200	125V/250V
1003-7000	7A	200	125V/250V
1003-8000	8A	200	125V/250V
1003-10000	10A	200	125V/250V
1003-12000	12A	180	125V/250V
1003-15000	15A	180	125V/250V

ORDER INFORMATION

Product NO.: KLS5-1003-XXXX

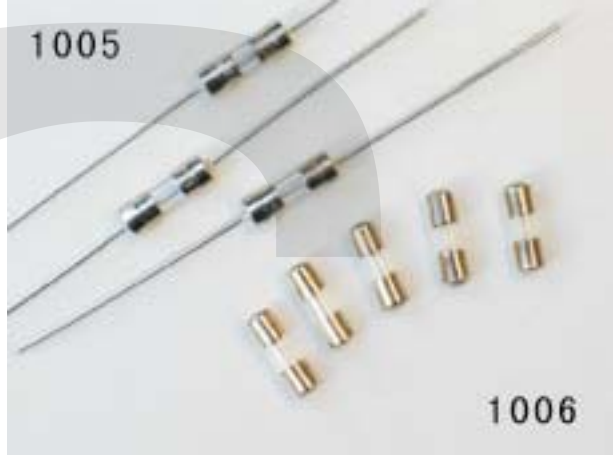
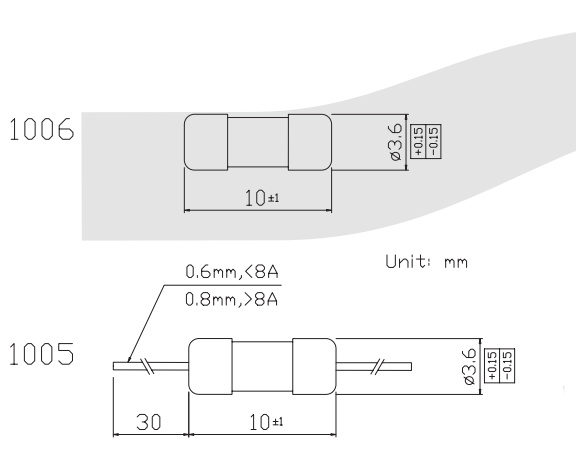
Rated Current
Lead Type: 1003=With Lead 1004=No Lead
Part Number

FUSE AND FUSE HOLDER



Φ3.6x10 Glass Tube Fuse Series

KLS5-1005/1006 Inner weld Φ3.6x10 Glass Tube Fuse (Fast Blow) Series

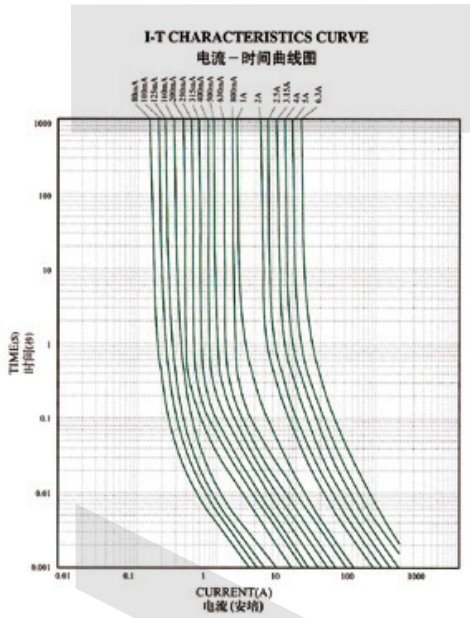


ELECTRICAL CHARACTERISTICS

RATING	1In	2In	2.75In	4In	10In
BLOWING TIME	Min 4h	Max 5s	Max 300ms	Max 30ms	Max 4ms

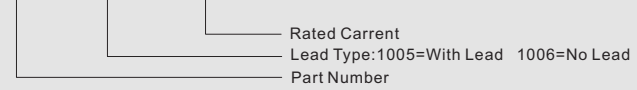
Part No.	Rated Current	Iv Voltage Drop	Voltage Rated
1006-0100	100mA	1750	125V/250V
1006-0125	125mA	1500	125V/250V
1006-0150	150mA	1500	125V/250V
1006-0160	160mA	1500	125V/250V
1006-0200	200mA	1500	125V/250V
1006-0250	250mA	1000	125V/250V
1006-0300	300mA	1000	125V/250V
1006-0315	315mA	1000	125V/250V
1006-0350	350mA	1000	125V/250V
1006-0400	400mA	1000	125V/250V
1006-0500	500mA	1000	125V/250V
1006-0600	600mA	900	125V/250V
1006-0700	700mA	500	125V/250V
1006-0750	750mA	500	125V/250V
1006-0800	800mA	275	125V/250V
1006-1000	1A	275	125V/250V
1006-1200	1.2A	275	125V/250V
1006-1250	1.25A	275	125V/250V
1006-1500	1.5A	275	125V/250V
1006-1600	1.6A	275	125V/250V
1006-1800	1.8A	275	125V/250V
1006-2000	2A	250	125V/250V
1006-2500	2.5A	250	125V/250V
1006-3000	3A	250	125V/250V
1006-3150	3.15A	250	125V/250V
1006-3500	3.5A	250	125V/250V
1006-4000	4A	225	125V/250V
1006-5000	5A	225	125V/250V
1006-6000	6A	225	125V/250V
1006-6300	6.3A	200	125V/250V
1006-7000	7A	200	125V/250V
1006-8000	8A	200	125V/250V
1006-10000	10A	200	125V/250V
1006-12000	12A	180	125V/250V
1006-15000	15A	180	125V/250V

Part No.	Rated Current	Iv Voltage Drop	Voltage Rated
1005-0100	100mA	1750	125V/250V
1005-0125	125mA	1500	125V/250V
1005-0150	150mA	1500	125V/250V
1005-0160	160mA	1500	125V/250V
1005-0200	200mA	1500	125V/250V
1005-0250	250mA	1000	125V/250V
1005-0300	300mA	1000	125V/250V
1005-0315	315mA	1000	125V/250V
1005-0350	350mA	1000	125V/250V
1005-0400	400mA	1000	125V/250V
1005-0500	500mA	1000	125V/250V
1005-0600	600mA	900	125V/250V
1005-0700	700mA	500	125V/250V
1005-0750	750mA	500	125V/250V
1005-0800	800mA	275	125V/250V
1005-1000	1A	275	125V/250V
1005-1200	1.2A	275	125V/250V
1005-1250	1.25A	275	125V/250V
1005-1500	1.5A	275	125V/250V
1005-1600	1.6A	275	125V/250V
1005-1800	1.8A	275	125V/250V
1005-2000	2A	250	125V/250V
1005-2500	2.5A	250	125V/250V
1005-3000	3A	250	125V/250V
1005-3150	3.15A	250	125V/250V
1005-3500	3.5A	250	125V/250V
1005-4000	4A	225	125V/250V
1005-5000	5A	225	125V/250V
1005-6000	6A	225	125V/250V
1005-6300	6.3A	200	125V/250V
1005-7000	7A	200	125V/250V
1005-8000	8A	200	125V/250V
1005-10000	10A	200	125V/250V
1005-12000	12A	180	125V/250V
1005-15000	15A	180	125V/250V



ORDER INFORMATION

Product NO.: KLS5-1005-XXXX

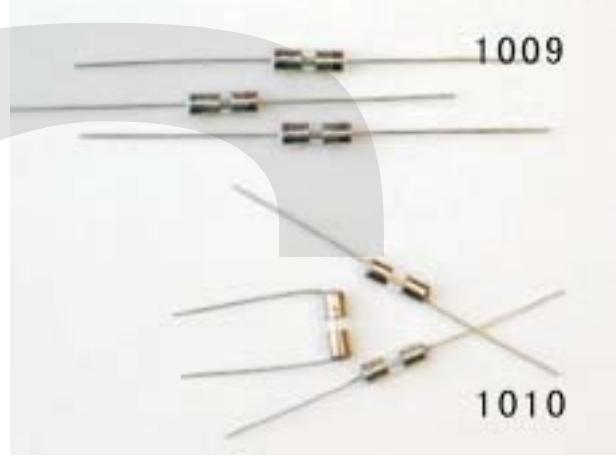
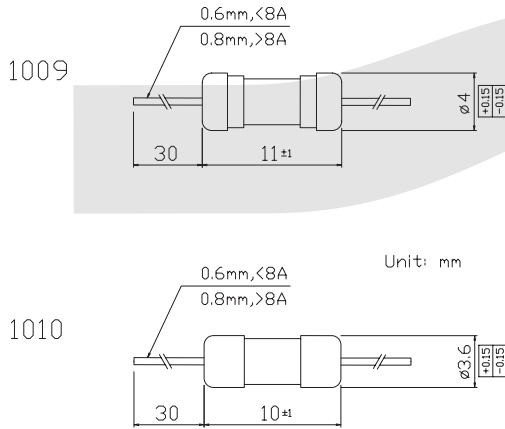


All specification & dimensions are subject to change, please call your nearest KLS sales representative for update information

FUSE AND FUSE HOLDER

Φ3.6x10 Glass Tube Fuse Series

KLS5-1009/1010 Φ3.6x10 Glass Tube Fuse (Slow Blow) Series



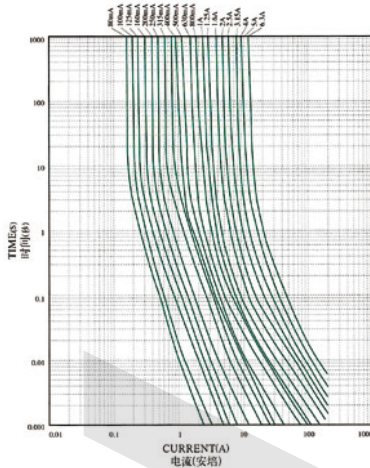
ELECTRICAL CHARACTERISTICS

RATING		BLOWING TIME
2.1In	Max	2min
	Min	400ms
2.75In	Max	10sec
	Min	150ms
4In	Max	3sec
	Min	20ms
10In	Max	150ms
	Min	

Part No.	Rated Current	I _v Voltage Drop	Voltage Rated
1010-0100	100mA	1750	125V/250V
1010-0125	125mA	1500	125V/250V
1010-0150	150mA	1500	125V/250V
1010-0160	160mA	1500	125V/250V
1010-0200	200mA	1500	125V/250V
1010-0250	250mA	1000	125V/250V
1010-0300	300mA	1000	125V/250V
1010-0400	400mA	1000	125V/250V
1010-0500	500mA	1000	125V/250V
1010-0600	600mA	900	125V/250V
1010-0700	700mA	500	125V/250V
1010-0750	750mA	500	125V/250V
1010-0800	800mA	275	125V/250V
1010-1000	1A	275	125V/250V
1010-1200	1.2A	275	125V/250V
1010-1250	1.25A	275	125V/250V
1010-1500	1.5A	275	125V/250V
1010-1600	1.6A	275	125V/250V
1010-1800	1.8A	275	125V/250V
1010-2000	2A	250	125V/250V
1010-2500	2.5A	250	125V/250V
1010-3000	3A	250	125V/250V
1010-3150	3.15A	250	125V/250V
1010-3500	3.5A	250	125V/250V
1010-4000	4A	225	125V/250V
1010-5000	5A	225	125V/250V
1010-6000	6A	225	125V/250V
1010-6300	6.3A	200	125V/250V
1010-7000	7A	200	125V/250V
1010-8000	8A	200	125V/250V
1010-10000	10A	200	125V/250V
1010-12000	12A	180	125V/250V
1010-15000	15A	180	125V/250V

Part No.	Rated Current	I _v Voltage Drop	Voltage Rated
1009-0100	100mA	1750	125V/250V
1009-0125	125mA	1500	125V/250V
1009-0150	150mA	1500	125V/250V
1009-0160	160mA	1500	125V/250V
1009-0200	200mA	1500	125V/250V
1009-0250	250mA	1000	125V/250V
1009-0300	300mA	1000	125V/250V
1009-0400	400mA	1000	125V/250V
1009-0500	500mA	1000	125V/250V
1009-0600	600mA	900	125V/250V
1009-0700	700mA	500	125V/250V
1009-0750	750mA	500	125V/250V
1009-0800	800mA	275	125V/250V
1009-1000	1A	275	125V/250V
1009-1200	1.2A	275	125V/250V
1009-1250	1.25A	275	125V/250V
1009-1500	1.5A	275	125V/250V
1009-1600	1.6A	275	125V/250V
1009-1800	1.8A	275	125V/250V
1009-2000	2A	250	125V/250V
1009-2500	2.5A	250	125V/250V
1009-3000	3A	250	125V/250V
1009-3150	3.15A	250	125V/250V
1009-3500	3.5A	250	125V/250V
1009-4000	4A	225	125V/250V
1009-5000	5A	225	125V/250V
1009-6000	6A	225	125V/250V
1009-6300	6.3A	200	125V/250V
1009-7000	7A	200	125V/250V
1009-8000	8A	200	125V/250V
1009-10000	10A	200	125V/250V
1009-12000	12A	180	125V/250V
1009-15000	15A	180	125V/250V

I-T CHARACTERISTICS CURVE
电流-时间曲线图



ORDER INFORMATION

Product NO.: **KLS5-1009-XXXX**

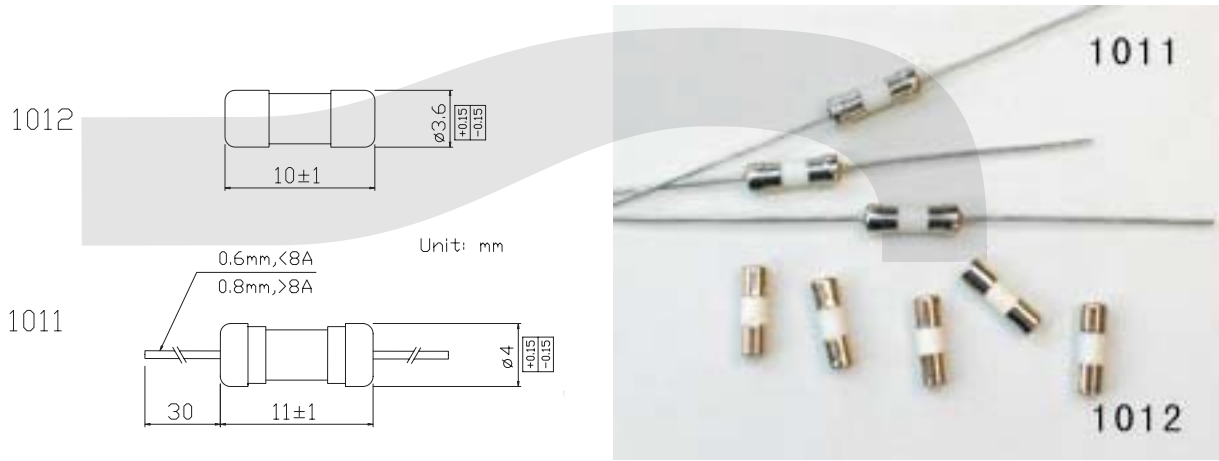
Rated Current
Lead Type: 1009=Φ3.6x10 1010=Φ4x11
Part Number

FUSE AND FUSE HOLDER



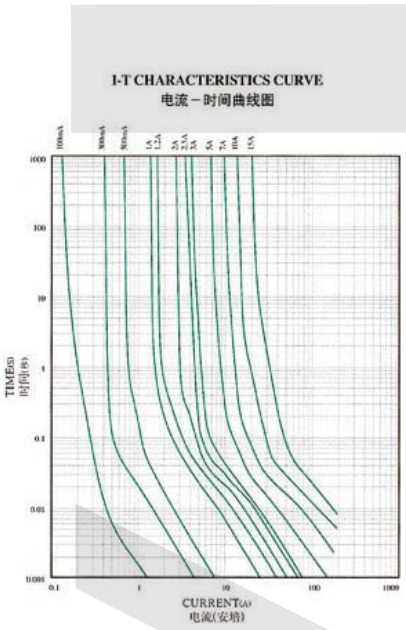
Φ3.6x10 Ceramic Tube Fuse Series

KLS5-1011/1012 Φ3.6x10 Ceramic Tube Fuse (Fast Blow) Series



ELECTRICAL CHARACTERISTICS

RATING	BLOWING TIME
100%	4 hours Min
200%	60 Sec Max

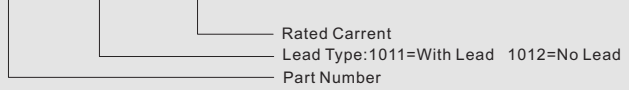


Part No.	Rated Current	Voltage Rated
1012-0100	100mA	125V/250V
1012-0125	125mA	125V/250V
1012-0150	150mA	125V/250V
1012-0160	160mA	125V/250V
1012-0200	200mA	125V/250V
1012-0250	250mA	125V/250V
1012-0300	300mA	125V/250V
1012-0315	315mA	125V/250V
1012-0350	350mA	125V/250V
1012-0400	400mA	125V/250V
1012-0500	500mA	125V/250V
1012-0600	600mA	125V/250V
1012-0700	700mA	125V/250V
1012-0750	750mA	125V/250V
1012-0800	800mA	125V/250V
1012-1000	1A	125V/250V
1012-1200	1.2A	125V/250V
1012-1250	1.25A	125V/250V
1012-1500	1.5A	125V/250V
1012-1600	1.6A	125V/250V
1012-1800	1.8A	125V/250V
1012-2000	2A	125V/250V
1012-2500	2.5A	125V/250V
1012-3000	3A	125V/250V
1012-3150	3.15A	125V/250V
1012-3500	3.5A	125V/250V
1012-4000	4A	125V/250V
1012-5000	5A	125V/250V
1012-6000	6A	125V/250V
1012-6300	6.3A	125V/250V
1012-7000	7A	125V/250V
1012-8000	8A	125V/250V
1012-10000	10A	125V/250V
1012-12000	12A	125V/250V
1012-15000	15A	125V/250V

Part No.	Rated Current	Voltage Rated
1011-0100	100mA	125V/250V
1011-0125	125mA	125V/250V
1011-0150	150mA	125V/250V
1011-0160	160mA	125V/250V
1011-0200	200mA	125V/250V
1011-0250	250mA	125V/250V
1011-0300	300mA	125V/250V
1011-0315	315mA	125V/250V
1011-0350	350mA	125V/250V
1011-0400	400mA	125V/250V
1011-0500	500mA	125V/250V
1011-0600	600mA	125V/250V
1011-0700	700mA	125V/250V
1011-0750	750mA	125V/250V
1011-0800	800mA	125V/250V
1011-1000	1A	125V/250V
1011-1200	1.2A	125V/250V
1011-1250	1.25A	125V/250V
1011-1500	1.5A	125V/250V
1011-1600	1.6A	125V/250V
1011-1800	1.8A	125V/250V
1011-2000	2A	125V/250V
1011-2500	2.5A	125V/250V
1011-3000	3A	125V/250V
1011-3150	3.15A	125V/250V
1011-3500	3.5A	125V/250V
1011-4000	4A	125V/250V
1011-5000	5A	125V/250V
1011-6000	6A	125V/250V
1011-6300	6.3A	125V/250V
1011-7000	7A	125V/250V
1011-8000	8A	125V/250V
1011-10000	10A	125V/250V
1011-12000	12A	125V/250V
1011-15000	15A	125V/250V

ORDER INFORMATION

Product NO.: KLS5-1012-XXXX

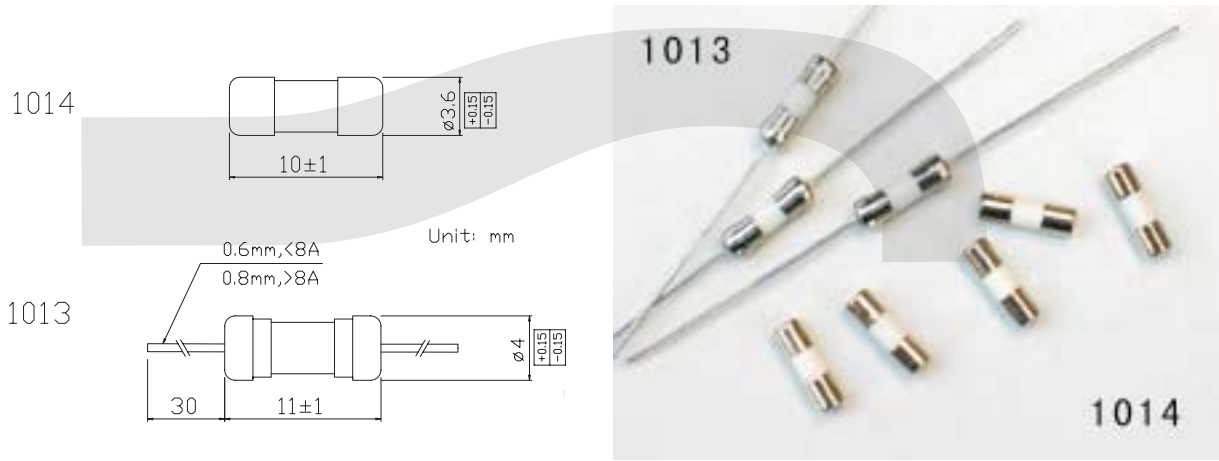


All specification & dimensions are subject to change, please call your nearest KLS sales representative for update information

FUSE AND FUSE HOLDER

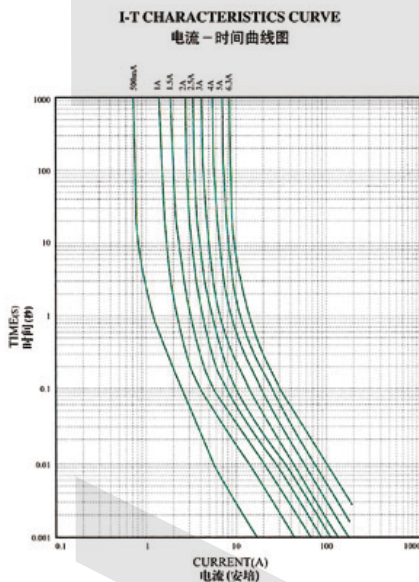
Φ3.6x10 Ceramic Tube Fuse Series

KLS5-1013/1014 Φ3.6x10 Ceramic Tube Fuse (Slow Blow) Series



ELECTRICAL CHARACTERISTICS

RATING	BLOWING TIME
100%	4 hours Min
200%	1-60 Sec Max



Part No.	Rated Current	Rated Voltage
1014-0100	100mA	125V/250V
1014-0125	125mA	125V/250V
1014-0150	150mA	125V/250V
1014-0160	160mA	125V/250V
1014-0200	200mA	125V/250V
1014-0250	250mA	125V/250V
1014-0300	300mA	125V/250V
1014-0315	315mA	125V/250V
1014-0350	350mA	125V/250V
1014-0400	400mA	125V/250V
1014-0500	500mA	125V/250V
1014-0600	600mA	125V/250V
1014-0700	700mA	125V/250V
1014-0750	750mA	125V/250V
1014-0800	800mA	125V/250V
1014-1000	1A	125V/250V
1014-1200	1.2A	125V/250V
1014-1250	1.25A	125V/250V
1014-1500	1.5A	125V/250V
1014-1600	1.6A	125V/250V
1014-1800	1.8A	125V/250V
1014-2000	2A	125V/250V
1014-2500	2.5A	125V/250V
1014-3000	3A	125V/250V
1014-3150	3.15A	125V/250V
1014-3500	3.5A	125V/250V
1014-4000	4A	125V/250V
1014-5000	5A	125V/250V
1014-6000	6A	125V/250V
1014-6300	6.3A	125V/250V
1014-7000	7A	125V/250V
1014-8000	8A	125V/250V
1014-10000	10A	125V/250V
1014-12000	12A	125V/250V
1014-15000	15A	125V/250V

Part No.	Rated Current	Rated Voltage
1013-0100	100mA	125V/250V
1013-0125	125mA	125V/250V
1013-0150	150mA	125V/250V
1013-0160	160mA	125V/250V
1013-0200	200mA	125V/250V
1013-0250	250mA	125V/250V
1013-0300	300mA	125V/250V
1013-0315	315mA	125V/250V
1013-0350	350mA	125V/250V
1013-0400	400mA	125V/250V
1013-0500	500mA	125V/250V
1013-0600	600mA	125V/250V
1013-0700	700mA	125V/250V
1013-0750	750mA	125V/250V
1013-0800	800mA	125V/250V
1013-1000	1A	125V/250V
1013-1200	1.2A	125V/250V
1013-1250	1.25A	125V/250V
1013-1500	1.5A	125V/250V
1013-1600	1.6A	125V/250V
1013-1800	1.8A	125V/250V
1013-2000	2A	125V/250V
1013-2500	2.5A	125V/250V
1013-3000	3A	125V/250V
1013-3150	3.15A	125V/250V
1013-3500	3.5A	125V/250V
1013-4000	4A	125V/250V
1013-5000	5A	125V/250V
1013-6000	6A	125V/250V
1013-6300	6.3A	125V/250V
1013-7000	7A	125V/250V
1013-8000	8A	125V/250V
1013-10000	10A	125V/250V
1013-12000	12A	125V/250V
1013-15000	15A	125V/250V

ORDER INFORMATION

Product NO.: KLS5-1013-XXXX

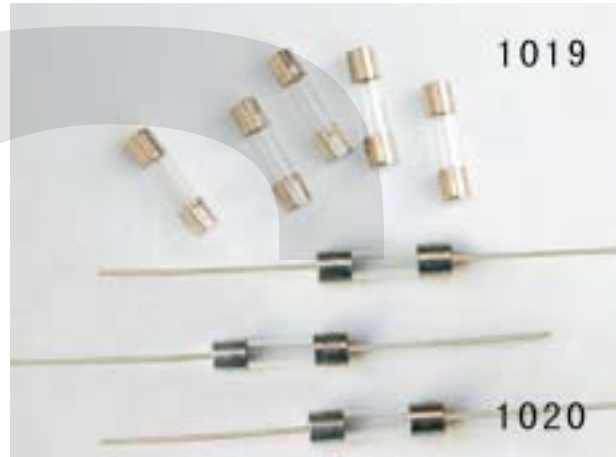
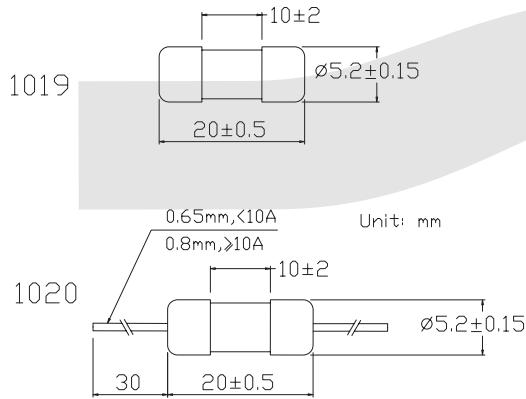
Rated Current
Lead Type: 1013=With Lead 1014=No Lead
Part Number

FUSE AND FUSE HOLDER



Φ5.2x20 Glass Tube Fuse Series

KLS5-1019/1020 Outer weld Φ5.2x20 Glass Tube Fuse (Fast Blow) Series

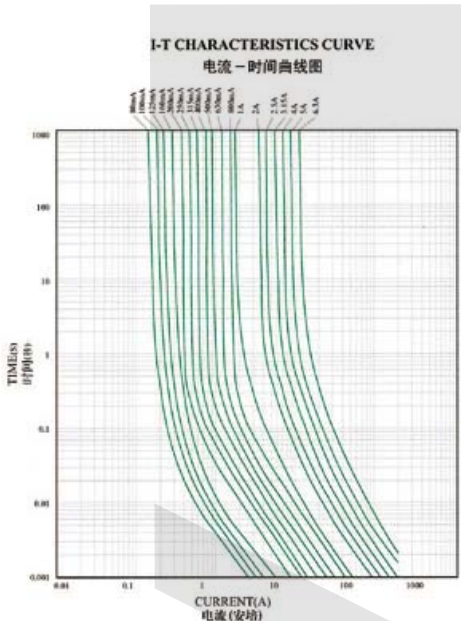


ELECTRICAL CHARACTERISTICS

RATING		≥32mA - 100mA	>100mA - 6.3A
2.1In	Max	30 min	30 min
	Min	10 ms	50 ms
2.75In	Max	500 ms	2 s
	Min	3 ms	10 ms
4In	Max	100 ms	300 ms
	Min	20 ms	20 ms

Part No.	Rated Current	Mv Voltage Drop	Rated Voltage
1020-0100	100mA	3500	125V/250V
1020-0125	125mA	2100	125V/250V
1020-0150	150mA	2100	125V/250V
1020-0160	160mA	2000	125V/250V
1020-0200	200mA	1700	125V/250V
1020-0250	250mA	1400	125V/250V
1020-0300	300mA	1300	125V/250V
1020-0315	315mA	1300	125V/250V
1020-0350	350mA	1300	125V/250V
1020-0400	400mA	1200	125V/250V
1020-0500	500mA	1000	125V/250V
1020-0600	600mA	650	125V/250V
1020-0700	700mA	650	125V/250V
1020-0750	750mA	600	125V/250V
1020-0800	800mA	240	125V/250V
1020-1000	1A	200	125V/250V
1020-1200	1.2A	200	125V/250V
1020-1250	1.25A	200	125V/250V
1020-1500	1.5A	200	125V/250V
1020-1600	1.6A	190	125V/250V
1020-1800	1.8A	190	125V/250V
1020-2000	2A	170	125V/250V
1020-2500	2.5A	170	125V/250V
1020-3000	3A	150	125V/250V
1020-3150	3.15A	150	125V/250V
1020-3500	3.5A	150	125V/250V
1020-4000	4A	130	125V/250V
1020-5000	5A	130	125V/250V
1020-6000	6A	130	125V/250V
1020-6300	6.3A	130	125V/250V
1020-7000	7A	120	125V/250V
1020-8000	8A	100	125V/250V
1020-10000	10A	100	125V/250V
1020-12000	12A	100	125V/250V
1020-15000	15A	100	125V/250V

Part No.	Rated Current	Mv Voltage Drop	Rated Voltage
1019-0100	100mA	3500	125V/250V
1019-0125	125mA	2100	125V/250V
1019-0150	150mA	2100	125V/250V
1019-0160	160mA	2000	125V/250V
1019-0200	200mA	1700	125V/250V
1019-0250	250mA	1400	125V/250V
1019-0300	300mA	1300	125V/250V
1019-0315	315mA	1300	125V/250V
1019-0350	350mA	1300	125V/250V
1019-0400	400mA	1200	125V/250V
1019-0500	500mA	1000	125V/250V
1019-0600	600mA	650	125V/250V
1019-0700	700mA	650	125V/250V
1019-0750	750mA	600	125V/250V
1019-0800	800mA	240	125V/250V
1019-1000	1A	200	125V/250V
1019-1200	1.2A	200	125V/250V
1019-1250	1.25A	200	125V/250V
1019-1500	1.5A	200	125V/250V
1019-1600	1.6A	190	125V/250V
1019-1800	1.8A	190	125V/250V
1019-2000	2A	170	125V/250V
1019-2500	2.5A	170	125V/250V
1019-3000	3A	150	125V/250V
1019-3150	3.15A	150	125V/250V
1019-3500	3.5A	150	125V/250V
1019-4000	4A	130	125V/250V
1019-5000	5A	130	125V/250V
1019-6000	6A	130	125V/250V
1019-6300	6.3A	130	125V/250V
1019-7000	7A	120	125V/250V
1019-8000	8A	100	125V/250V
1019-10000	10A	100	125V/250V
1019-12000	12A	100	125V/250V
1019-15000	15A	100	125V/250V



ORDER INFORMATION

Product NO.: KLS5-1019-XXXX

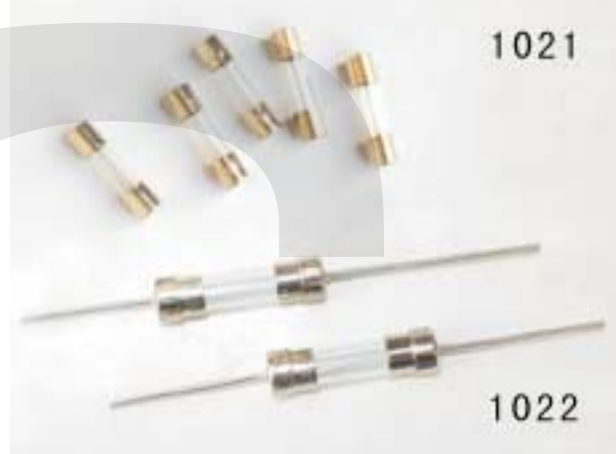
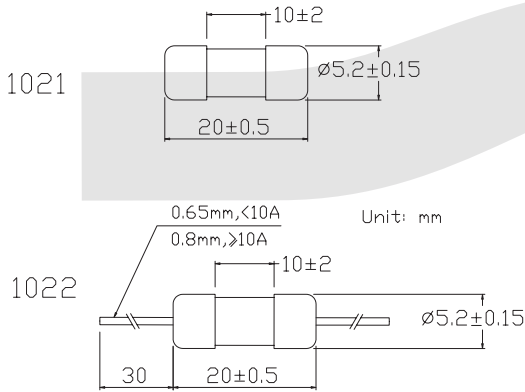
Rated Current
Lead Type: 1019=No Lead 1020=With Lead
Part Number

FUSE AND FUSE HOLDER



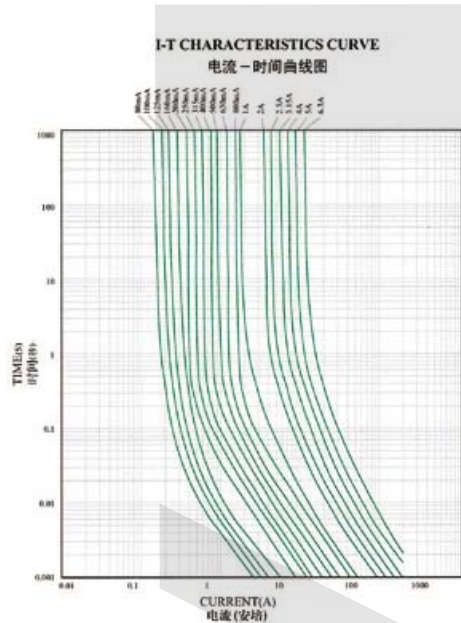
Φ5.2x20 Glass Tube Fuse Series

KLS5-1021/1022 Inner weld Φ5.2x20 Glass Tube Fuse (Fast Blow) Series



ELECTRICAL CHARACTERISTICS

RATING		$\geq 32mA - 100mA$	$> 100mA - 6.3A$
2.1In	Max	30 min	30 min
	Min	10 ms	50 ms
2.75In	Max	500 ms	2 s
	Min	3 ms	10 ms
4In	Max	100 ms	300 ms
	Min	20 ms	20 ms



Part No.	Rated Current	Mv Voltage Drop	Rated Voltage
1022-0100	100mA	3500	125V/250V
1022-0125	125mA	2100	125V/250V
1022-0150	150mA	2100	125V/250V
1022-0160	160mA	2000	125V/250V
1022-0200	200mA	1700	125V/250V
1022-0250	250mA	1400	125V/250V
1022-0300	300mA	1300	125V/250V
1022-0315	315mA	1300	125V/250V
1022-0350	350mA	1300	125V/250V
1022-0400	400mA	1200	125V/250V
1022-0500	500mA	1000	125V/250V
1022-0600	600mA	650	125V/250V
1022-0700	700mA	650	125V/250V
1022-0750	750mA	600	125V/250V
1022-0800	800mA	240	125V/250V
1022-1000	1A	200	125V/250V
1022-1200	1.2A	200	125V/250V
1022-1250	1.25A	200	125V/250V
1022-1500	1.5A	200	125V/250V
1022-1600	1.6A	190	125V/250V
1022-1800	1.8A	190	125V/250V
1022-2000	2A	170	125V/250V
1022-2500	2.5A	170	125V/250V
1022-3000	3A	150	125V/250V
1022-3150	3.15A	150	125V/250V
1022-3500	3.5A	150	125V/250V
1022-4000	4A	130	125V/250V
1022-5000	5A	130	125V/250V
1022-6000	6A	130	125V/250V
1022-6300	6.3A	130	125V/250V
1022-7000	7A	120	125V/250V
1022-8000	8A	100	125V/250V
1022-10000	10A	100	125V/250V
1022-12000	12A	100	125V/250V
1022-15000	15A	100	125V/250V

Part No.	Rated Current	Mv Voltage Drop	Rated Voltage
1021-0100	100mA	3500	125V/250V
1021-0125	125mA	2100	125V/250V
1021-0150	150mA	2100	125V/250V
1021-0160	160mA	2000	125V/250V
1021-0200	200mA	1700	125V/250V
1021-0250	250mA	1400	125V/250V
1021-0300	300mA	1300	125V/250V
1021-0315	315mA	1300	125V/250V
1021-0350	350mA	1300	125V/250V
1021-0400	400mA	1200	125V/250V
1021-0500	500mA	1000	125V/250V
1021-0600	600mA	650	125V/250V
1021-0700	700mA	650	125V/250V
1021-0750	750mA	600	125V/250V
1021-0800	800mA	240	125V/250V
1021-1000	1A	200	125V/250V
1021-1200	1.2A	200	125V/250V
1021-1250	1.25A	200	125V/250V
1021-1500	1.5A	200	125V/250V
1021-1600	1.6A	190	125V/250V
1021-1800	1.8A	190	125V/250V
1021-2000	2A	170	125V/250V
1021-2500	2.5A	170	125V/250V
1021-3000	3A	150	125V/250V
1021-3150	3.15A	150	125V/250V
1021-3500	3.5A	150	125V/250V
1021-4000	4A	130	125V/250V
1021-5000	5A	130	125V/250V
1021-6000	6A	130	125V/250V
1021-6300	6.3A	130	125V/250V
1021-7000	7A	120	125V/250V
1021-8000	8A	100	125V/250V
1021-10000	10A	100	125V/250V
1021-12000	12A	100	125V/250V
1021-15000	15A	100	125V/250V

ORDER INFORMATION

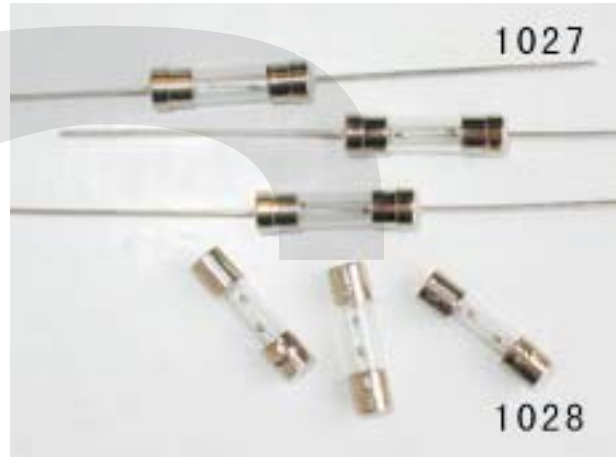
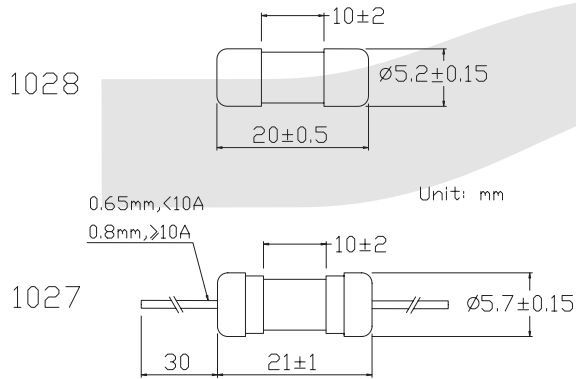
Product NO.: KLS5-1021-XXXX

Rated Current
Lead Type: 1021=No Lead 1022=With Lead
Part Number

FUSE AND FUSE HOLDER

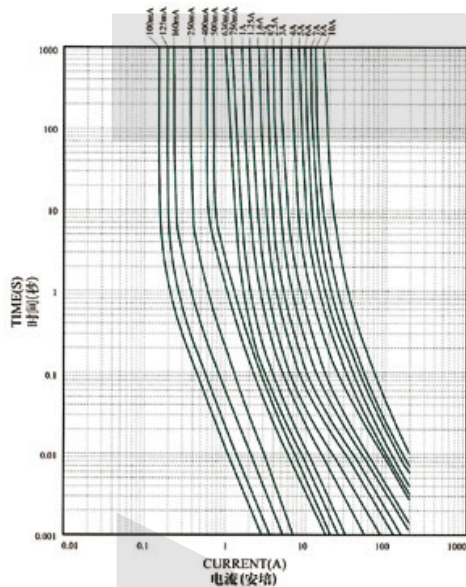
Φ5.2x20 Glass Tube Fuse Series

KLS5-1027/1028 Φ5.2x20 Glass Tube Fuse (Medium Slow Blow) Series



ELECTRICAL CHARACTERISTICS

RATING	BLOWING Time
130%	1 hours Min
160%	1 hours Max
200%	120 sec Max

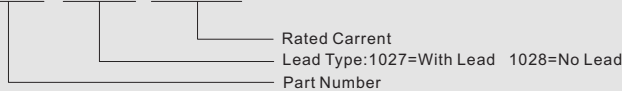


Part No.	Rated Current	Rated Voltage
1028-0100	100mA	125V/250V
1028-0125	125mA	125V/250V
1028-0150	150mA	125V/250V
1028-0160	160mA	125V/250V
1028-0200	200mA	125V/250V
1028-0250	250mA	125V/250V
1028-0300	300mA	125V/250V
1028-0315	315mA	125V/250V
1028-0350	350mA	125V/250V
1028-0400	400mA	125V/250V
1028-0500	500mA	125V/250V
1028-0600	600mA	125V/250V
1028-0700	700mA	125V/250V
1028-0750	750mA	125V/250V
1028-0800	800mA	125V/250V
1028-1000	1A	125V/250V
1028-1200	1.2A	125V/250V
1028-1250	1.25A	125V/250V
1028-1500	1.5A	125V/250V
1028-1600	1.6A	125V/250V
1028-1800	1.8A	125V/250V
1028-2000	2A	125V/250V
1028-2500	2.5A	125V/250V
1028-3000	3A	125V/250V
1028-3150	3.15A	125V/250V
1028-3500	3.5A	125V/250V
1028-4000	4A	125V/250V
1028-5000	5A	125V/250V
1028-6000	6A	125V/250V
1028-6300	6.3A	125V/250V
1028-7000	7A	125V/250V
1028-8000	8A	125V/250V
1028-10000	10A	125V/250V
1028-12000	12A	125V/250V
1028-15000	15A	125V/250V

Part No.	Rated Current	Rated Voltage
1027-0100	100mA	125V/250V
1027-0125	125mA	125V/250V
1027-0150	150mA	125V/250V
1027-0160	160mA	125V/250V
1027-0200	200mA	125V/250V
1027-0250	250mA	125V/250V
1027-0300	300mA	125V/250V
1027-0315	315mA	125V/250V
1027-0350	350mA	125V/250V
1027-0400	400mA	125V/250V
1027-0500	500mA	125V/250V
1027-0600	600mA	125V/250V
1027-0700	700mA	125V/250V
1027-0750	750mA	125V/250V
1027-0800	800mA	125V/250V
1027-1000	1A	125V/250V
1027-1200	1.2A	125V/250V
1027-1250	1.25A	125V/250V
1027-1500	1.5A	125V/250V
1027-1600	1.6A	125V/250V
1027-1800	1.8A	125V/250V
1027-2000	2A	125V/250V
1027-2500	2.5A	125V/250V
1027-3000	3A	125V/250V
1027-3150	3.15A	125V/250V
1027-3500	3.5A	125V/250V
1027-4000	4A	125V/250V
1027-5000	5A	125V/250V
1027-6000	6A	125V/250V
1027-6300	6.3A	125V/250V
1027-7000	7A	125V/250V
1027-8000	8A	125V/250V
1027-10000	10A	125V/250V
1027-12000	12A	125V/250V
1027-15000	15A	125V/250V

ORDER INFORMATION

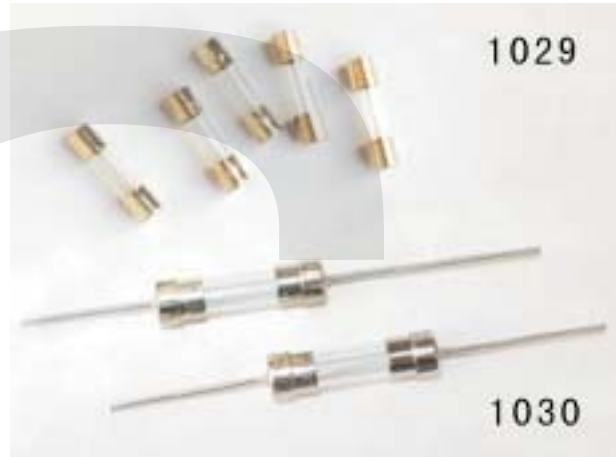
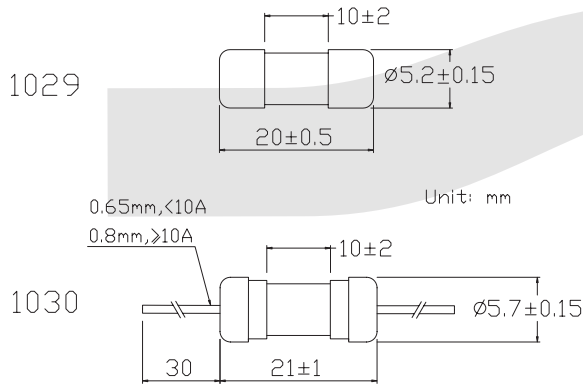
Product NO.: **KLS5-1027-XXXX**



FUSE AND FUSE HOLDER

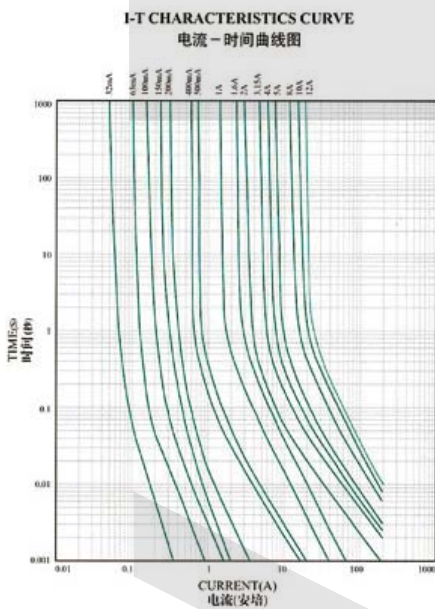
Φ5.2x20 Glass Tube Fuse Series

KLS5-1029/1030 Φ5.2x20 Glass Tube Fuse (Medium Fast Blow) Series



ELECTRICAL CHARACTERISTICS

RATING	BLOWING Time
130%	1 hours Min
160%	1 hours Max
200%	120 sec Max



Part No.	Rated Current	Rated Voltage
1030-0100	100mA	125V/250V
1030-0125	125mA	125V/250V
1030-0150	150mA	125V/250V
1030-0160	160mA	125V/250V
1030-0200	200mA	125V/250V
1030-0250	250mA	125V/250V
1030-0300	300mA	125V/250V
1030-0315	315mA	125V/250V
1030-0350	350mA	125V/250V
1030-0400	400mA	125V/250V
1030-0500	500mA	125V/250V
1030-0600	600mA	125V/250V
1030-0700	700mA	125V/250V
1030-0750	750mA	125V/250V
1030-0800	800mA	125V/250V
1030-1000	1A	125V/250V
1030-1200	1.2A	125V/250V
1030-1250	1.25A	125V/250V
1030-1500	1.5A	125V/250V
1030-1600	1.6A	125V/250V
1030-1800	1.8A	125V/250V
1030-2000	2A	125V/250V
1030-2500	2.5A	125V/250V
1030-3000	3A	125V/250V
1030-3150	3.15A	125V/250V
1030-3500	3.5A	125V/250V
1030-4000	4A	125V/250V
1030-5000	5A	125V/250V
1030-6000	6A	125V/250V
1030-6300	6.3A	125V/250V
1030-7000	7A	125V/250V
1030-8000	8A	125V/250V
1030-10000	10A	125V/250V
1030-12000	12A	125V/250V
1030-15000	15A	125V/250V

Part No.	Rated Current	Rated Voltage
1029-0100	100mA	125V/250V
1029-0125	125mA	125V/250V
1029-0150	150mA	125V/250V
1029-0160	160mA	125V/250V
1029-0200	200mA	125V/250V
1029-0250	250mA	125V/250V
1029-0300	300mA	125V/250V
1029-0315	315mA	125V/250V
1029-0350	350mA	125V/250V
1029-0400	400mA	125V/250V
1029-0500	500mA	125V/250V
1029-0600	600mA	125V/250V
1029-0700	700mA	125V/250V
1029-0750	750mA	125V/250V
1029-0800	800mA	125V/250V
1029-1000	1A	125V/250V
1029-1200	1.2A	125V/250V
1029-1250	1.25A	125V/250V
1029-1500	1.5A	125V/250V
1029-1600	1.6A	125V/250V
1029-1800	1.8A	125V/250V
1029-2000	2A	125V/250V
1029-2500	2.5A	125V/250V
1029-3000	3A	125V/250V
1029-3150	3.15A	125V/250V
1029-3500	3.5A	125V/250V
1029-4000	4A	125V/250V
1029-5000	5A	125V/250V
1029-6000	6A	125V/250V
1029-6300	6.3A	125V/250V
1029-7000	7A	125V/250V
1029-8000	8A	125V/250V
1029-10000	10A	125V/250V
1029-12000	12A	125V/250V
1029-15000	15A	125V/250V

ORDER INFORMATION

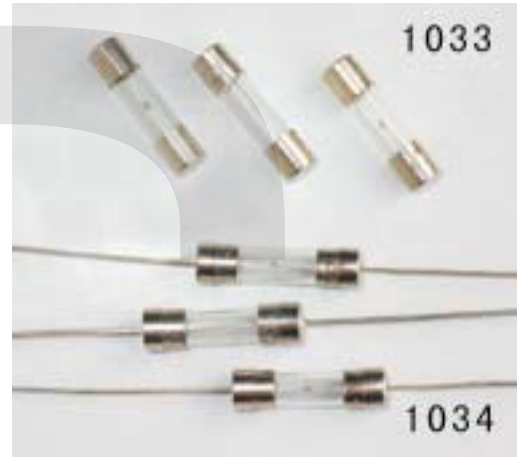
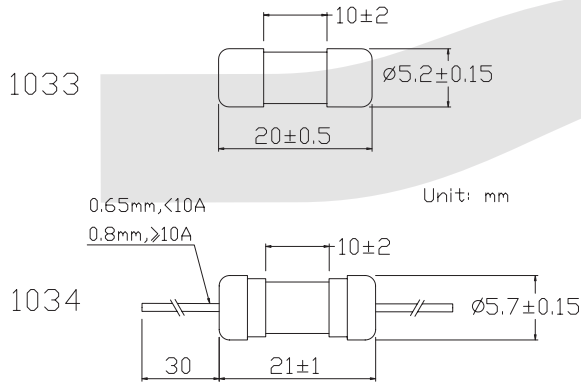
Product NO.: KLS5-1029-XXXX

Rated Current
Lead Type: 1029=No Lead 1030=With Lead
Part Number

FUSE AND FUSE HOLDER

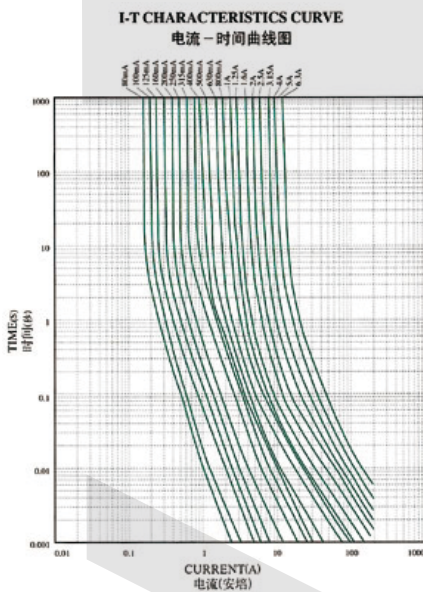
Φ5.2x20 Glass Tube Fuse Series

KLS5-1033/1034 Φ5.2x20 Glass Tube Fuse (Slow Blow) Series



ELECTRICAL CHARACTERISTICS

RATING		32mA - 100mA	>125mA - 6.3A	8A - 15A
2.1In	Max	2 min	2 min	30 min
	Min	200 ms	600 ms	600 ms
2.75In	Max	10 s	10 s	10 s
	Min	40 ms	150 ms	150 ms
4In	Max	3 s	3 s	3 s
	Min	10 ms	20 ms	20 ms
10In	Max	300 ms	300 ms	300 ms



Part No.	Rated Current	Iv Voltage Drop	Rated Voltage
1034-0100	100mA	2500	125V/250V
1034-0125	125mA	2000	125V/250V
1034-0150	150mA	1900	125V/250V
1034-0160	160mA	1900	125V/250V
1034-0200	200mA	1500	125V/250V
1034-0250	250mA	1300	125V/250V
1034-0300	300mA	1100	125V/250V
1034-0315	315mA	1100	125V/250V
1034-0350	350mA	1100	125V/250V
1034-0400	400mA	1000	125V/250V
1034-0500	500mA	900	125V/250V
1034-0600	600mA	300	125V/250V
1034-0700	700mA	300	125V/250V
1034-0750	750mA	300	125V/250V
1034-0800	800mA	250	125V/250V
1034-1000	1A	150	125V/250V
1034-1200	1.2A	150	125V/250V
1034-1250	1.25A	150	125V/250V
1034-1500	1.5A	150	125V/250V
1034-1600	1.6A	150	125V/250V
1034-1800	1.8A	150	125V/250V
1034-2000	2A	150	125V/250V
1034-2500	2.5A	120	125V/250V
1034-3000	3A	100	125V/250V
1034-3150	3.15A	100	125V/250V
1034-3500	3.5A	100	125V/250V
1034-4000	4A	100	125V/250V
1034-5000	5A	100	125V/250V
1034-6000	6A	100	125V/250V
1034-6300	6.3A	100	125V/250V
1034-7000	7A	90	125V/250V
1034-8000	8A	90	125V/250V
1034-10000	10A	90	125V/250V
1034-12000	12A	90	125V/250V
1034-15000	15A	90	125V/250V

Part No.	Rated Current	Iv Voltage Drop	Rated Voltage
1033-0100	100mA	2500	125V/250V
1033-0125	125mA	2000	125V/250V
1033-0150	150mA	1900	125V/250V
1033-0160	160mA	1900	125V/250V
1033-0200	200mA	1500	125V/250V
1033-0250	250mA	1300	125V/250V
1033-0300	300mA	1100	125V/250V
1033-0315	315mA	1100	125V/250V
1033-0350	350mA	1100	125V/250V
1033-0400	400mA	1000	125V/250V
1033-0500	500mA	900	125V/250V
1033-0600	600mA	300	125V/250V
1033-0700	700mA	300	125V/250V
1033-0750	750mA	300	125V/250V
1033-0800	800mA	250	125V/250V
1033-1000	1A	150	125V/250V
1033-1200	1.2A	150	125V/250V
1033-1250	1.25A	150	125V/250V
1033-1500	1.5A	150	125V/250V
1033-1600	1.6A	150	125V/250V
1033-1800	1.8A	150	125V/250V
1033-2000	2A	150	125V/250V
1033-2500	2.5A	120	125V/250V
1033-3000	3A	100	125V/250V
1033-3150	3.15A	100	125V/250V
1033-3500	3.5A	100	125V/250V
1033-4000	4A	100	125V/250V
1033-5000	5A	100	125V/250V
1033-6000	6A	100	125V/250V
1033-6300	6.3A	100	125V/250V
1033-7000	7A	90	125V/250V
1033-8000	8A	90	125V/250V
1033-10000	10A	90	125V/250V
1033-12000	12A	90	125V/250V
1033-15000	15A	90	125V/250V

ORDER INFORMATION

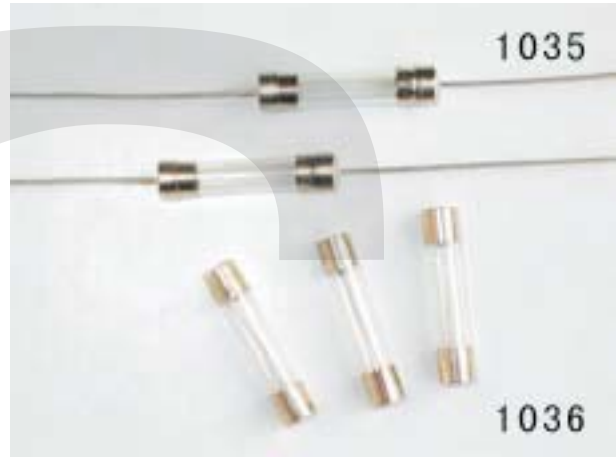
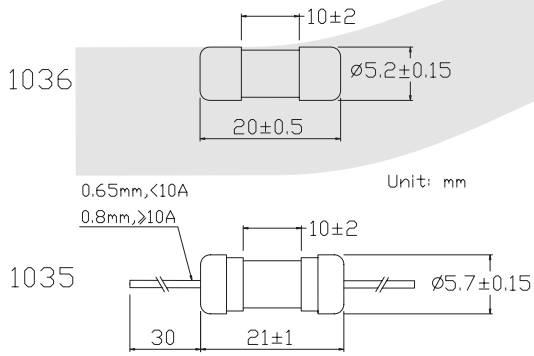
Product NO.: KLS5-1033-XXXX

Rated Current
Lead Type: 1033=No Lead 1034=With Lead
Part Number

FUSE AND FUSE HOLDER

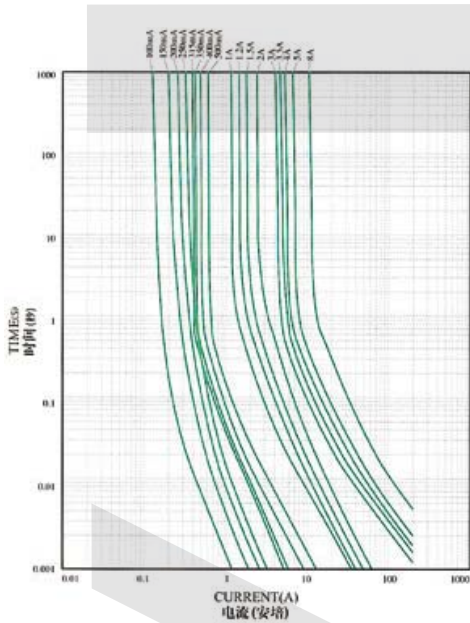
Φ5.2x20 Glass Tube Fuse Series

KLS5-1035/1036 Φ5.2x20 Glass Tube Fuse (Fast Blow) Series



ELECTRICAL CHARACTERISTICS

RATING	Blowing Time
100%	4 hours Min
135%	1 hours Max
200%	5 sec Max

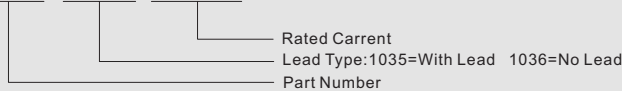


Part No.	Rated Current	Rated Voltage
1036-0100	100mA	125V/250V
1036-0125	125mA	125V/250V
1036-0150	150mA	125V/250V
1036-0160	160mA	125V/250V
1036-0200	200mA	125V/250V
1036-0250	250mA	125V/250V
1036-0300	300mA	125V/250V
1036-0315	315mA	125V/250V
1036-0350	350mA	125V/250V
1036-0400	400mA	125V/250V
1036-0500	500mA	125V/250V
1036-0600	600mA	125V/250V
1036-0700	700mA	125V/250V
1036-0750	750mA	125V/250V
1036-0800	800mA	125V/250V
1036-1000	1A	125V/250V
1036-1200	1.2A	125V/250V
1036-1250	1.25A	125V/250V
1036-1500	1.5A	125V/250V
1036-1600	1.6A	125V/250V
1036-1800	1.8A	125V/250V
1036-2000	2A	125V/250V
1036-2500	2.5A	125V/250V
1036-3000	3A	125V/250V
1036-3150	3.15A	125V/250V
1036-3500	3.5A	125V/250V
1036-4000	4A	125V/250V
1036-5000	5A	125V/250V
1036-6000	6A	125V/250V
1036-6300	6.3A	125V/250V
1036-7000	7A	125V/250V
1036-8000	8A	125V/250V
1036-10000	10A	125V/250V
1036-12000	12A	125V/250V
1036-15000	15A	125V/250V

Part No.	Rated Current	Rated Voltage
1035-0100	100mA	125V/250V
1035-0125	125mA	125V/250V
1035-0150	150mA	125V/250V
1035-0160	160mA	125V/250V
1035-0200	200mA	125V/250V
1035-0250	250mA	125V/250V
1035-0300	300mA	125V/250V
1035-0315	315mA	125V/250V
1035-0350	350mA	125V/250V
1035-0400	400mA	125V/250V
1035-0500	500mA	125V/250V
1035-0600	600mA	125V/250V
1035-0700	700mA	125V/250V
1035-0750	750mA	125V/250V
1035-0800	800mA	125V/250V
1035-1000	1A	125V/250V
1035-1200	1.2A	125V/250V
1035-1250	1.25A	125V/250V
1035-1500	1.5A	125V/250V
1035-1600	1.6A	125V/250V
1035-1800	1.8A	125V/250V
1035-2000	2A	125V/250V
1035-2500	2.5A	125V/250V
1035-3000	3A	125V/250V
1035-3150	3.15A	125V/250V
1035-3500	3.5A	125V/250V
1035-4000	4A	125V/250V
1035-5000	5A	125V/250V
1035-6000	6A	125V/250V
1035-6300	6.3A	125V/250V
1035-7000	7A	125V/250V
1035-8000	8A	125V/250V
1035-10000	10A	125V/250V
1035-12000	12A	125V/250V
1035-15000	15A	125V/250V

ORDER INFORMATION

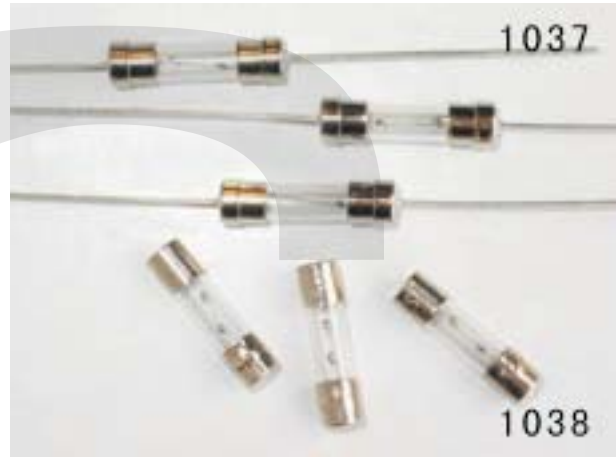
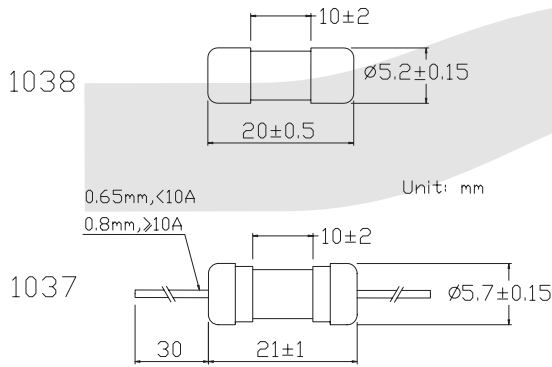
Product NO.: **KLS5-1035-XXXX**



FUSE AND FUSE HOLDER

Φ5.2x20 Glass Tube Fuse Series

KLS5-1037/1038 Φ5.2x20 Glass Tube Fuse (Slow Blow) Series

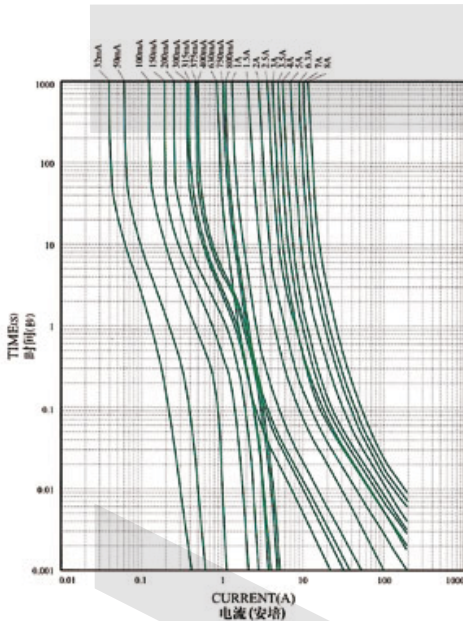


ELECTRICAL CHARACTERISTICS

RATING	Blowing Time
100%	4 hours Min
135%	1 hours Max
200%	5 sec Max

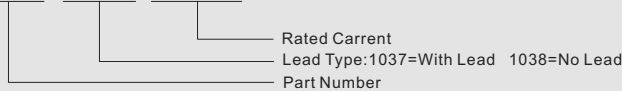
Part No.	Rated Current	Rated Voltage
1038-0100	100mA	125V/250V
1038-0125	125mA	125V/250V
1038-0150	150mA	125V/250V
1038-0160	160mA	125V/250V
1038-0200	200mA	125V/250V
1038-0250	250mA	125V/250V
1038-0300	300mA	125V/250V
1038-0315	315mA	125V/250V
1038-0350	350mA	125V/250V
1038-0400	400mA	125V/250V
1038-0500	500mA	125V/250V
1038-0600	600mA	125V/250V
1038-0700	700mA	125V/250V
1038-0750	750mA	125V/250V
1038-0800	800mA	125V/250V
1038-1000	1A	125V/250V
1038-1200	1.2A	125V/250V
1038-1250	1.25A	125V/250V
1038-1500	1.5A	125V/250V
1038-1600	1.6A	125V/250V
1038-1800	1.8A	125V/250V
1038-2000	2A	125V/250V
1038-2500	2.5A	125V/250V
1038-3000	3A	125V/250V
1038-3150	3.15A	125V/250V
1038-3500	3.5A	125V/250V
1038-4000	4A	125V/250V
1038-5000	5A	125V/250V
1038-6000	6A	125V/250V
1038-6300	6.3A	125V/250V
1038-7000	7A	125V/250V
1038-8000	8A	125V/250V
1038-10000	10A	125V/250V
1038-12000	12A	125V/250V
1038-15000	15A	125V/250V

Part No.	Rated Current	Rated Voltage
1037-0100	100mA	125V/250V
1037-0125	125mA	125V/250V
1037-0150	150mA	125V/250V
1037-0160	160mA	125V/250V
1037-0200	200mA	125V/250V
1037-0250	250mA	125V/250V
1037-0300	300mA	125V/250V
1037-0315	315mA	125V/250V
1037-0350	350mA	125V/250V
1037-0400	400mA	125V/250V
1037-0500	500mA	125V/250V
1037-0600	600mA	125V/250V
1037-0700	700mA	125V/250V
1037-0750	750mA	125V/250V
1037-0800	800mA	125V/250V
1037-1000	1A	125V/250V
1037-1200	1.2A	125V/250V
1037-1250	1.25A	125V/250V
1037-1500	1.5A	125V/250V
1037-1600	1.6A	125V/250V
1037-1800	1.8A	125V/250V
1037-2000	2A	125V/250V
1037-2500	2.5A	125V/250V
1037-3000	3A	125V/250V
1037-3150	3.15A	125V/250V
1037-3500	3.5A	125V/250V
1037-4000	4A	125V/250V
1037-5000	5A	125V/250V
1037-6000	6A	125V/250V
1037-6300	6.3A	125V/250V
1037-7000	7A	125V/250V
1037-8000	8A	125V/250V
1037-10000	10A	125V/250V
1037-12000	12A	125V/250V
1037-15000	15A	125V/250V



ORDER INFORMATION

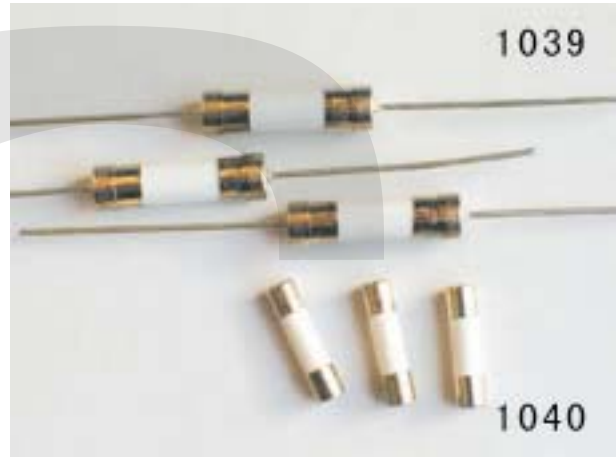
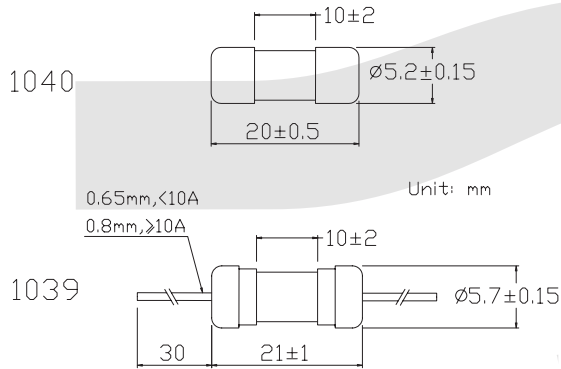
Product NO.: KLS5-1037-XXXX



FUSE AND FUSE HOLDER

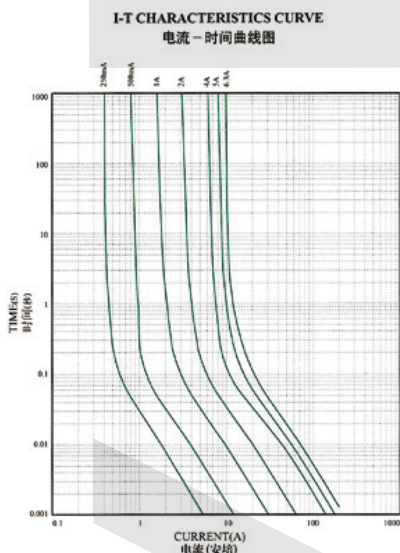
Φ5.2x20 Ceramic Tube Fuse Series

KLS5-1039/1040 Φ5.2x20 Ceramic Tube Fuse (Fast Blow) Series



ELECTRICAL CHARACTERISTICS

RATING		100mA - 10A
2.1In	Max	30 min
2.75In	Min	10 ms
	Max	3 s
4In	Min	3 ms
	Max	300 ms
10In	Max	20 ms



Part No.	Rated Current	Rated Voltage
1040-0100	100mA	125V/250V
1040-0125	125mA	125V/250V
1040-0150	150mA	125V/250V
1040-0160	160mA	125V/250V
1040-0200	200mA	125V/250V
1040-0250	250mA	125V/250V
1040-0300	300mA	125V/250V
1040-0315	315mA	125V/250V
1040-0350	350mA	125V/250V
1040-0400	400mA	125V/250V
1040-0500	500mA	125V/250V
1040-0600	600mA	125V/250V
1040-0700	700mA	125V/250V
1040-0750	750mA	125V/250V
1040-0800	800mA	125V/250V
1040-1000	1A	125V/250V
1040-1200	1.2A	125V/250V
1040-1250	1.25A	125V/250V
1040-1500	1.5A	125V/250V
1040-1600	1.6A	125V/250V
1040-1800	1.8A	125V/250V
1040-2000	2A	125V/250V
1040-2500	2.5A	125V/250V
1040-3000	3A	125V/250V
1040-3150	3.15A	125V/250V
1040-3500	3.5A	125V/250V
1040-4000	4A	125V/250V
1040-5000	5A	125V/250V
1040-6000	6A	125V/250V
1040-6300	6.3A	125V/250V
1040-7000	7A	125V/250V
1040-8000	8A	125V/250V
1040-10000	10A	125V/250V
1040-12000	12A	125V/250V
1040-15000	15A	125V/250V
1040-20000	20A	125V/250V
1040-25000	25A	125V/250V
1040-30000	30A	125V/250V

Part No.	Rated Current	Rated Voltage
1039-0100	100mA	125V/250V
1039-0125	125mA	125V/250V
1039-0150	150mA	125V/250V
1039-0160	160mA	125V/250V
1039-0200	200mA	125V/250V
1039-0250	250mA	125V/250V
1039-0300	300mA	125V/250V
1039-0315	315mA	125V/250V
1039-0350	350mA	125V/250V
1039-0400	400mA	125V/250V
1039-0500	500mA	125V/250V
1039-0600	600mA	125V/250V
1039-0700	700mA	125V/250V
1039-0750	750mA	125V/250V
1039-0800	800mA	125V/250V
1039-1000	1A	125V/250V
1039-1200	1.2A	125V/250V
1039-1250	1.25A	125V/250V
1039-1500	1.5A	125V/250V
1039-1600	1.6A	125V/250V
1039-1800	1.8A	125V/250V
1039-2000	2A	125V/250V
1039-2500	2.5A	125V/250V
1039-3000	3A	125V/250V
1039-3150	3.15A	125V/250V
1039-3500	3.5A	125V/250V
1039-4000	4A	125V/250V
1039-5000	5A	125V/250V
1039-6000	6A	125V/250V
1039-6300	6.3A	125V/250V
1039-7000	7A	125V/250V
1039-8000	8A	125V/250V
1039-10000	10A	125V/250V
1039-12000	12A	125V/250V
1039-15000	15A	125V/250V
1039-20000	20A	125V/250V
1039-25000	25A	125V/250V
1039-30000	30A	125V/250V

ORDER INFORMATION

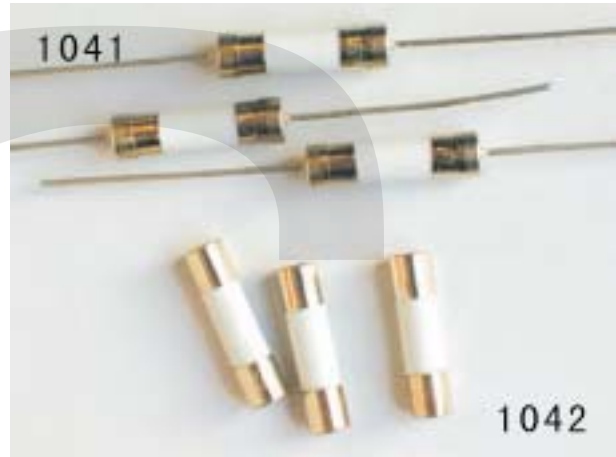
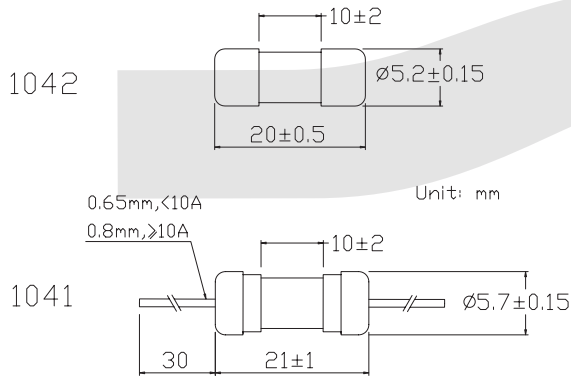
Product NO.: KLS5-1039-XXXX

Rated Current
Lead Type: 1039=With Lead 1040=No Lead
Part Number

FUSE AND FUSE HOLDER

Φ5.2x20 Ceramic Tube Fuse Series

KLS5-1041/1042 Φ5.2x20 Ceramic Tube Fuse (Slow Blow) Series

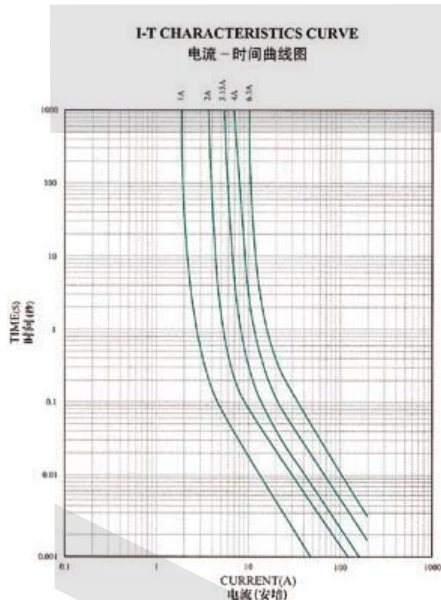


ELECTRICAL CHARACTERISTICS

RATING		200mA - 800mA	1A - 3.5A	3.15A - 6.3A	8A - 15A
2.1In	Max	30 min	30 min	30 min	30 min
	Min	400 ms	1 s	1 s	1 s
2.75In	Max	80 s	80 s	80 s	80 s
	Min	20 ms	95 ms	150 ms	150 ms
4In	Max	5 s	5 s	5 s	5 s
	Min	5 ms	10 ms	20 ms	20 ms
10In	Max	100 ms	100 ms	100 ms	120 ms
	Min				

Part No.	Rated Current	Rated Voltage
1042-0100	100mA	125V/250V
1042-0125	125mA	125V/250V
1042-0150	150mA	125V/250V
1042-0160	160mA	125V/250V
1042-0200	200mA	125V/250V
1042-0250	250mA	125V/250V
1042-0300	300mA	125V/250V
1042-0315	315mA	125V/250V
1042-0350	350mA	125V/250V
1042-0400	400mA	125V/250V
1042-0500	500mA	125V/250V
1042-0600	600mA	125V/250V
1042-0700	700mA	125V/250V
1042-0750	750mA	125V/250V
1042-0800	800mA	125V/250V
1042-1000	1A	125V/250V
1042-1200	1.2A	125V/250V
1042-1250	1.25A	125V/250V
1042-1500	1.5A	125V/250V
1042-1600	1.6A	125V/250V
1042-1800	1.8A	125V/250V
1042-2000	2A	125V/250V
1042-2500	2.5A	125V/250V
1042-3000	3A	125V/250V
1042-3150	3.15A	125V/250V
1042-3500	3.5A	125V/250V
1042-4000	4A	125V/250V
1042-5000	5A	125V/250V
1042-6000	6A	125V/250V
1042-6300	6.3A	125V/250V
1042-7000	7A	125V/250V
1042-8000	8A	125V/250V
1042-10000	10A	125V/250V
1042-12000	12A	125V/250V
1042-15000	15A	125V/250V
1042-20000	20A	125V/250V
1042-25000	25A	125V/250V
1042-30000	30A	125V/250V

Part No.	Rated Current	Rated Voltage
1041-0100	100mA	125V/250V
1041-0125	125mA	125V/250V
1041-0150	150mA	125V/250V
1041-0160	160mA	125V/250V
1041-0200	200mA	125V/250V
1041-0250	250mA	125V/250V
1041-0300	300mA	125V/250V
1041-0315	315mA	125V/250V
1041-0350	350mA	125V/250V
1041-0400	400mA	125V/250V
1041-0500	500mA	125V/250V
1041-0600	600mA	125V/250V
1041-0700	700mA	125V/250V
1041-0750	750mA	125V/250V
1041-0800	800mA	125V/250V
1041-1000	1A	125V/250V
1041-1200	1.2A	125V/250V
1041-1250	1.25A	125V/250V
1041-1500	1.5A	125V/250V
1041-1600	1.6A	125V/250V
1041-1800	1.8A	125V/250V
1041-2000	2A	125V/250V
1041-2500	2.5A	125V/250V
1041-3000	3A	125V/250V
1041-3150	3.15A	125V/250V
1041-3500	3.5A	125V/250V
1041-4000	4A	125V/250V
1041-5000	5A	125V/250V
1041-6000	6A	125V/250V
1041-6300	6.3A	125V/250V
1041-7000	7A	125V/250V
1041-8000	8A	125V/250V
1041-10000	10A	125V/250V
1041-12000	12A	125V/250V
1041-15000	15A	125V/250V
1041-20000	20A	125V/250V
1041-25000	25A	125V/250V
1041-30000	30A	125V/250V



ORDER INFORMATION

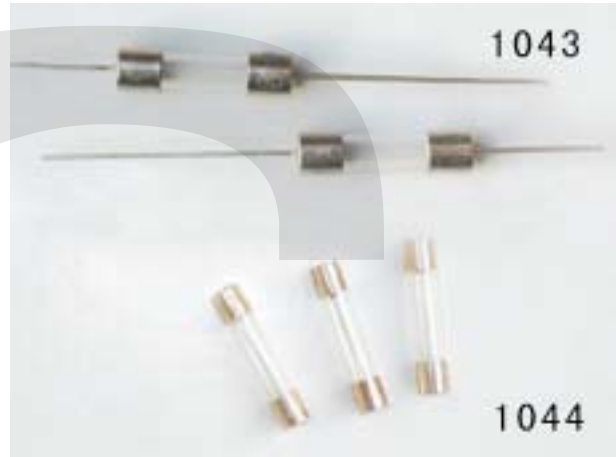
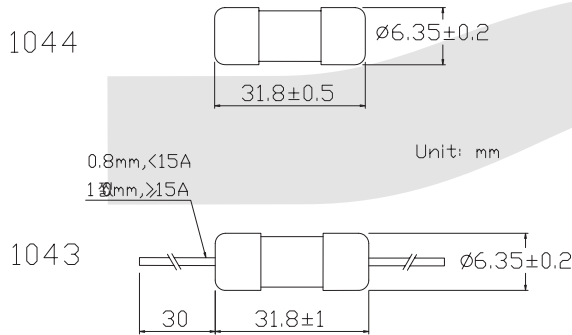
Product NO.: KLS5-1041-XXXX

Rated Current
Lead Type: 1041=With Lead 1042=No Lead
Part Number

FUSE AND FUSE HOLDER

Φ6.35x32(30) Glass Tube Fuse Series

KLS5-1043/1044 Outer weld Φ6.35x32(30) Glass Tube Fuse (Fast Blow) Series

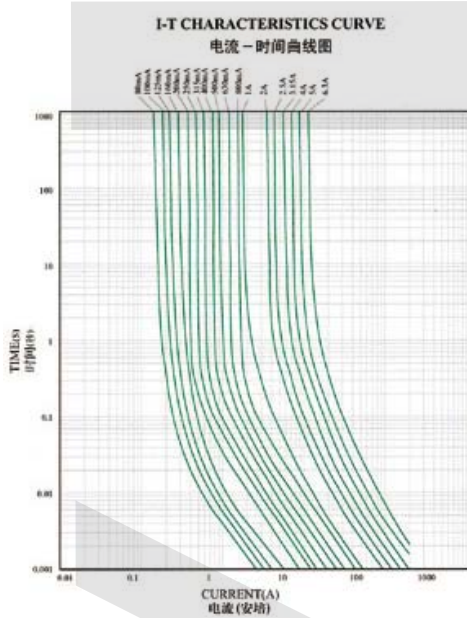


ELECTRICAL CHARACTERISTICS

RATING		≥ 50mA - 100mA	>100mA - 10A
2.1In	Max	20 s	20 s
	Min	20 ms	20 ms
2.75In	Max	200 ms	1500 ms
	Min	1 ms	8ms
4In	Max	30 ms	400 ms
	Min	5 ms	80 ms

Part No.	Rated Current	Rated Voltage
1044-0100	100mA	125V/250V
1044-0125	125mA	125V/250V
1044-0150	150mA	125V/250V
1044-0160	160mA	125V/250V
1044-0200	200mA	125V/250V
1044-0250	250mA	125V/250V
1044-0300	300mA	125V/250V
1044-0315	315mA	125V/250V
1044-0350	350mA	125V/250V
1044-0400	400mA	125V/250V
1044-0500	500mA	125V/250V
1044-0600	600mA	125V/250V
1044-0700	700mA	125V/250V
1044-0750	750mA	125V/250V
1044-0800	800mA	125V/250V
1044-1000	1A	125V/250V
1044-1200	1.2A	125V/250V
1044-1250	1.25A	125V/250V
1044-1500	1.5A	125V/250V
1044-1600	1.6A	125V/250V
1044-1800	1.8A	125V/250V
1044-2000	2A	125V/250V
1044-2500	2.5A	125V/250V
1044-3000	3A	125V/250V
1044-3150	3.15A	125V/250V
1044-3500	3.5A	125V/250V
1044-4000	4A	125V/250V
1044-5000	5A	125V/250V
1044-6000	6A	125V/250V
1044-6300	6.3A	125V/250V
1044-7000	7A	125V/250V
1044-8000	8A	125V/250V
1044-10000	10A	125V/250V
1044-12000	12A	125V/250V
1044-15000	15A	125V/250V

Part No.	Rated Current	Rated Voltage
1043-0100	100mA	125V/250V
1043-0125	125mA	125V/250V
1043-0150	150mA	125V/250V
1043-0160	160mA	125V/250V
1043-0200	200mA	125V/250V
1043-0250	250mA	125V/250V
1043-0300	300mA	125V/250V
1043-0315	315mA	125V/250V
1043-0350	350mA	125V/250V
1043-0400	400mA	125V/250V
1043-0500	500mA	125V/250V
1043-0600	600mA	125V/250V
1043-0700	700mA	125V/250V
1043-0750	750mA	125V/250V
1043-0800	800mA	125V/250V
1043-1000	1A	125V/250V
1043-1200	1.2A	125V/250V
1043-1250	1.25A	125V/250V
1043-1500	1.5A	125V/250V
1043-1600	1.6A	125V/250V
1043-1800	1.8A	125V/250V
1043-2000	2A	125V/250V
1043-2500	2.5A	125V/250V
1043-3000	3A	125V/250V
1043-3150	3.15A	125V/250V
1043-3500	3.5A	125V/250V
1043-4000	4A	125V/250V
1043-5000	5A	125V/250V
1043-6000	6A	125V/250V
1043-6300	6.3A	125V/250V
1043-7000	7A	125V/250V
1043-8000	8A	125V/250V
1043-10000	10A	125V/250V
1043-12000	12A	125V/250V
1043-15000	15A	125V/250V



ORDER INFORMATION

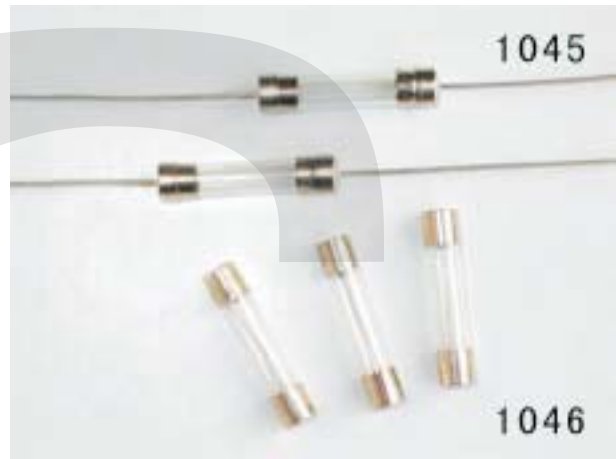
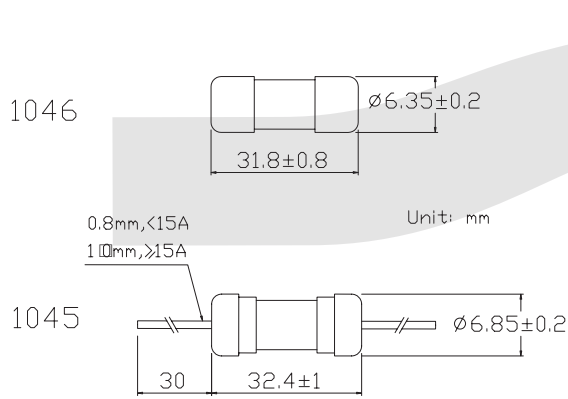
Product NO.: KLS5-1043-XXXX

Rated Current
Lead Type: 1043=With Lead 1044=No Lead
Part Number

FUSE AND FUSE HOLDER

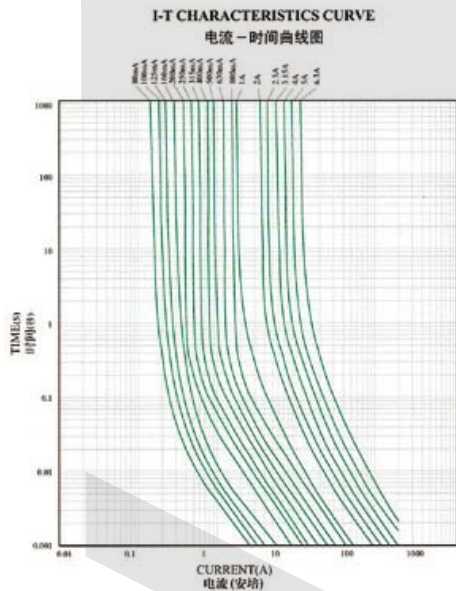
Φ6.35x32(30) Glass Tube Fuse Series

KLS5-1045/1046 Inner weld Φ6.35x32(30) Glass Tube Fuse (Fast Blow) Series



ELECTRICAL CHARACTERISTICS

RATING		≥ 50mA - 100mA	>100mA - 10A
2.1In	Max	20 s	20 s
	Min	20 ms	20 ms
2.75In	Max	200 ms	1500 ms
	Min	1 ms	8ms
4In	Max	30 ms	400 ms
	Min	5 ms	80 ms

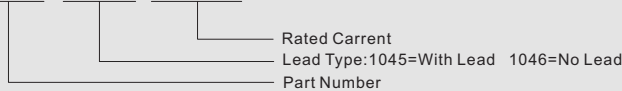


Part No.	Rated Current	Rated Voltage
1046-0100	100mA	125V/250V
1046-0125	125mA	125V/250V
1046-0150	150mA	125V/250V
1046-0160	160mA	125V/250V
1046-0200	200mA	125V/250V
1046-0250	250mA	125V/250V
1046-0300	300mA	125V/250V
1046-0315	315mA	125V/250V
1046-0350	350mA	125V/250V
1046-0400	400mA	125V/250V
1046-0500	500mA	125V/250V
1046-0600	600mA	125V/250V
1046-0700	700mA	125V/250V
1046-0750	750mA	125V/250V
1046-0800	800mA	125V/250V
1046-1000	1A	125V/250V
1046-1200	1.2A	125V/250V
1046-1250	1.25A	125V/250V
1046-1500	1.5A	125V/250V
1046-1600	1.6A	125V/250V
1046-1800	1.8A	125V/250V
1046-2000	2A	125V/250V
1046-2500	2.5A	125V/250V
1046-3000	3A	125V/250V
1046-3150	3.15A	125V/250V
1046-3500	3.5A	125V/250V
1046-4000	4A	125V/250V
1046-5000	5A	125V/250V
1046-6000	6A	125V/250V
1046-6300	6.3A	125V/250V
1046-7000	7A	125V/250V
1046-8000	8A	125V/250V
1046-10000	10A	125V/250V
1046-12000	12A	125V/250V
1046-15000	15A	125V/250V

Part No.	Rated Current	Rated Voltage
1045-0100	100mA	125V/250V
1045-0125	125mA	125V/250V
1045-0150	150mA	125V/250V
1045-0160	160mA	125V/250V
1045-0200	200mA	125V/250V
1045-0250	250mA	125V/250V
1045-0300	300mA	125V/250V
1045-0315	315mA	125V/250V
1045-0350	350mA	125V/250V
1045-0400	400mA	125V/250V
1045-0500	500mA	125V/250V
1045-0600	600mA	125V/250V
1045-0700	700mA	125V/250V
1045-0750	750mA	125V/250V
1045-0800	800mA	125V/250V
1045-1000	1A	125V/250V
1045-1200	1.2A	125V/250V
1045-1250	1.25A	125V/250V
1045-1500	1.5A	125V/250V
1045-1600	1.6A	125V/250V
1045-1800	1.8A	125V/250V
1045-2000	2A	125V/250V
1045-2500	2.5A	125V/250V
1045-3000	3A	125V/250V
1045-3150	3.15A	125V/250V
1045-3500	3.5A	125V/250V
1045-4000	4A	125V/250V
1045-5000	5A	125V/250V
1045-6000	6A	125V/250V
1045-6300	6.3A	125V/250V
1045-7000	7A	125V/250V
1045-8000	8A	125V/250V
1045-10000	10A	125V/250V
1045-12000	12A	125V/250V
1045-15000	15A	125V/250V

ORDER INFORMATION

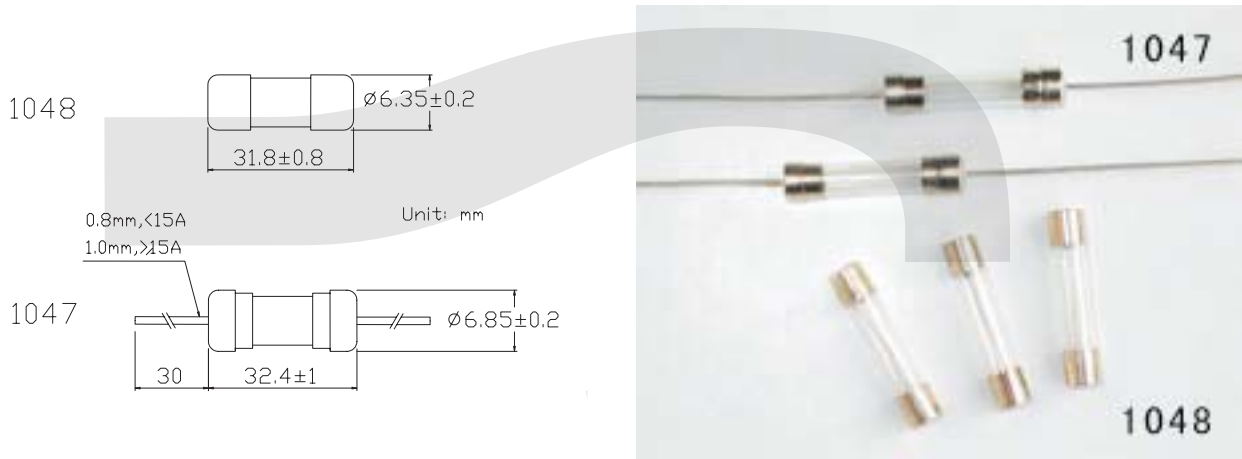
Product NO.: KLS5-1045-XXXX



FUSE AND FUSE HOLDER

Φ6.35x32(30) Glass Tube Fuse Series

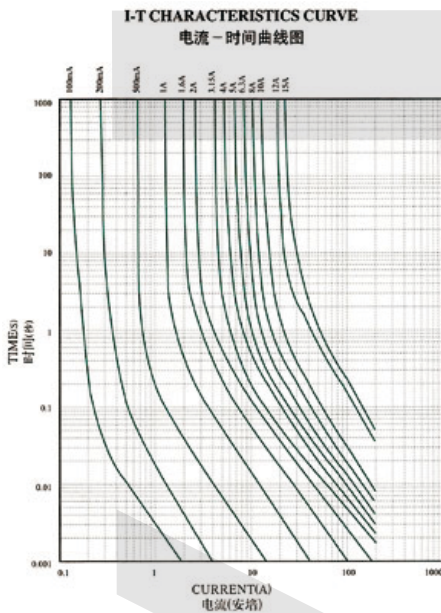
KLS5-1047/1048 Φ6.35x32 Glass Tube Fuse (Fast Blow) Series



ELECTRICAL CHARACTERISTICS

Rating	Blowing TIME
100%	4 hour Min
135%	1 hour Max
200%	5 sec Max

Product Model	Rated Current	Rated Volta	Product Model	Rated Current	Rated Volta
1048-0100	100mA	125V/250V	1047-0100	100mA	125V/250V
1048-0125	125mA	125V/250V	1047-0125	125mA	125V/250V
1048-0150	150mA	125V/250V	1047-0150	150mA	125V/250V
1048-0160	160mA	125V/250V	1047-0160	160mA	125V/250V
1048-0200	200mA	125V/250V	1047-0200	200mA	125V/250V
1048-0250	250mA	125V/250V	1047-0250	250mA	125V/250V
1048-0300	300mA	125V/250V	1047-0300	300mA	125V/250V
1048-0315	315mA	125V/250V	1047-0315	315mA	125V/250V
1048-0350	350mA	125V/250V	1047-0350	350mA	125V/250V
1048-0400	40mA	125V/250V	1047-0400	40mA	125V/250V
1048-0500	500mA	125V/250V	1047-0500	500mA	125V/250V
1048-0600	600mA	125V/250V	1047-0600	600mA	125V/250V
1048-0700	700mA	125V/250V	1047-0700	700mA	125V/250V
1048-0750	750mA	125V/250V	1047-0750	750mA	125V/250V
1048-0800	800mA	125V/250V	1047-0800	800mA	125V/250V
1048-1000	1A	125V/250V	1047-1000	1A	125V/250V
1048-1200	1.2	125V/250V	1047-1200	1.2	125V/250V
1048-1250	1.25A	125V/250V	1047-1250	1.25A	125V/250V
1048-1500	1.5A	125V/250V	1047-1500	1.5A	125V/250V
1048-1600	1.6A	125V/250V	1047-1600	1.6A	125V/250V
1048-1800	1.8A	125V/250V	1047-1800	1.8A	125V/250V
1048-2000	2A	125V/250V	1047-2000	2A	125V/250V
1048-2500	2.5A	125V/250V	1047-2500	2.5A	125V/250V
1048-3000	3A	125V/250V	1047-3000	3A	125V/250V
1048-3150	3.15A	125V/250V	1047-3150	3.15A	125V/250V
1048-3500	3.5	125V/250V	1047-3500	3.5	125V/250V
1048-4000	4A	125V/250V	1047-4000	4A	125V/250V
1048-5000	5A	125V/250V	1047-5000	5A	125V/250V
1048-6000	6A	125V/250V	1047-6000	6A	125V/250V
1048-6300	6.3A	125V/250V	1047-6300	6.3A	125V/250V
1048-7000	7A	125V/250V	1047-7000	7A	125V/250V
1048-8000	8A	125V/250V	1047-8000	8A	125V/250V
1048-10000	10A	125V/250V	1047-10000	10A	125V/250V
1048-12000	12A	125V/250V	1047-12000	12A	125V/250V
1048-15000	15A	125V/250V	1047-15000	15A	125V/250V
1048-20000	20A	125V/250V	1047-20000	20A	125V/250V
1048-25000	25A	125V/250V	1047-25000	25A	125V/250V
1048-30000	30A	125V/250V	1047-30000	30A	125V/250V



ORDER INFORMATION

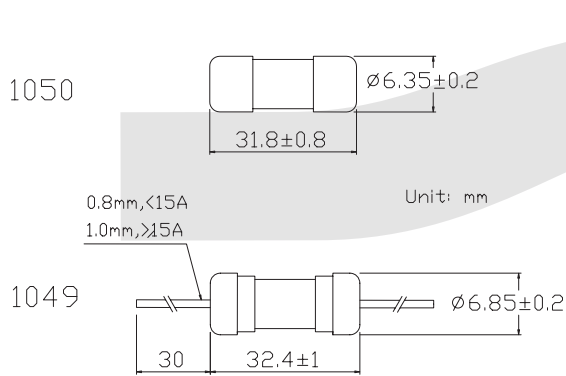
Product NO.: KLS5-1047-XXXX

Rated Current
Lead Type: 1047=With Lead 1048=No Lead
Part Number

FUSE AND FUSE HOLDER

Φ6.35x32(30) Glass Tube Fuse Series

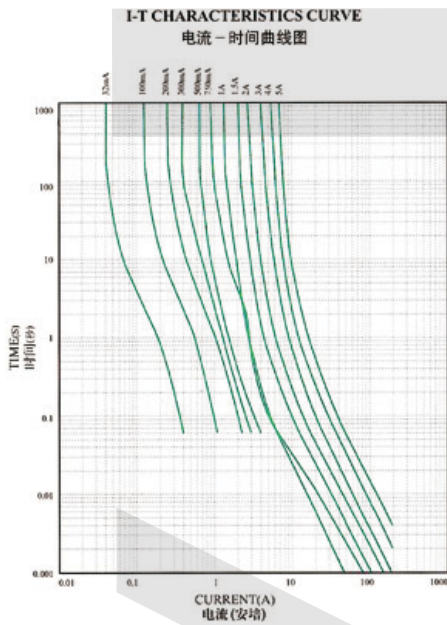
KLS5-1049/1050 Φ6.35x32 Glass Tube Fuse (Slow Blow) Series



ELECTRICAL CHARACTERISTICS

Rating	Blowing TIME
100%	4 hour Min
135%	1 hour Max
200%	5 sec Max

Product Model	Rated Current	Rated Volts	Product Model	Rated Current	Rated Volts
1050-0100	100mA	125V/250V	1049-0100	100mA	125V/250V
1050-0125	125mA	125V/250V	1049-0125	125mA	125V/250V
1050-0150	150mA	125V/250V	1049-0150	150mA	125V/250V
1050-0160	160mA	125V/250V	1049-0160	160mA	125V/250V
1050-0200	200mA	125V/250V	1049-0200	200mA	125V/250V
1050-0250	250mA	125V/250V	1049-0250	250mA	125V/250V
1050-0300	300mA	125V/250V	1049-0300	300mA	125V/250V
1050-0315	315mA	125V/250V	1049-0315	315mA	125V/250V
1050-0350	350mA	125V/250V	1049-0350	350mA	125V/250V
1050-0400	40mA	125V/250V	1049-0400	40mA	125V/250V
1050-0500	500mA	125V/250V	1049-0500	500mA	125V/250V
1050-0600	600mA	125V/250V	1049-0600	600mA	125V/250V
1050-0700	700mA	125V/250V	1049-0700	700mA	125V/250V
1050-0750	750mA	125V/250V	1049-0750	750mA	125V/250V
1050-0800	800mA	125V/250V	1049-0800	800mA	125V/250V
1050-1000	1A	125V/250V	1049-1000	1A	125V/250V
1050-1200	1.2	125V/250V	1049-1200	1.2	125V/250V
1050-1250	1.25A	125V/250V	1049-1250	1.25A	125V/250V
1050-1500	1.5A	125V/250V	1049-1500	1.5A	125V/250V
1050-1600	1.6A	125V/250V	1049-1600	1.6A	125V/250V
1050-1800	1.8A	125V/250V	1049-1800	1.8A	125V/250V
1050-2000	2A	125V/250V	1049-2000	2A	125V/250V
1050-2500	2.5A	125V/250V	1049-2500	2.5A	125V/250V
1050-3000	3A	125V/250V	1049-3000	3A	125V/250V
1050-3150	3.15A	125V/250V	1049-3150	3.15A	125V/250V
1050-3500	3.5	125V/250V	1049-3500	3.5	125V/250V
1050-4000	4A	125V/250V	1049-4000	4A	125V/250V
1050-5000	5A	125V/250V	1049-5000	5A	125V/250V
1050-6000	6A	125V/250V	1049-6000	6A	125V/250V
1050-6300	6.3A	125V/250V	1049-6300	6.3A	125V/250V
1050-7000	7A	125V/250V	1049-7000	7A	125V/250V
1050-8000	8A	125V/250V	1049-8000	8A	125V/250V
1050-10000	10A	125V/250V	1049-10000	10A	125V/250V
1050-12000	12A	125V/250V	1049-12000	12A	125V/250V
1050-15000	15A	125V/250V	1049-15000	15A	125V/250V
1050-20000	20A	125V/250V	1049-20000	20A	125V/250V
1050-25000	25A	125V/250V	1049-25000	25A	125V/250V
1050-30000	30A	125V/250V	1049-30000	30A	125V/250V



ORDER INFORMATION

Product NO.: **KLS5-1049-XXXX**

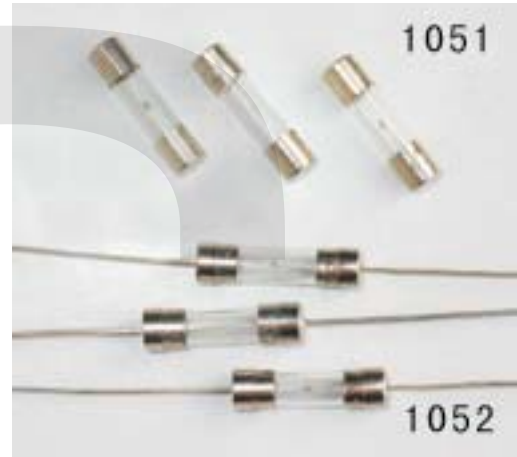
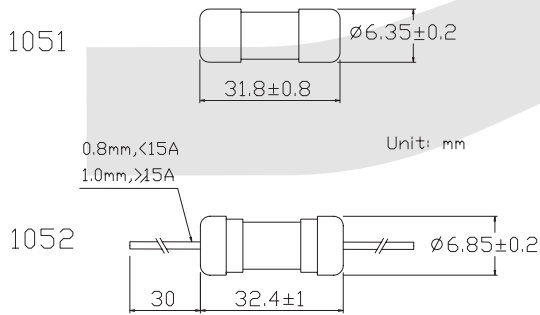
Rated Current
Lead Type: 1049=With Lead 1050=No Lead
Part Number

FUSE AND FUSE HOLDER



Φ6.35x32(30) Glass Tube Fuse Series

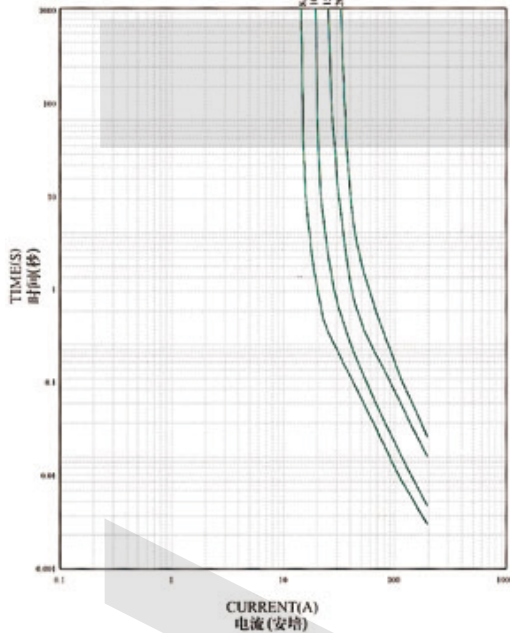
KLS5-1051/1052 Φ6.35x32(30) Glass Tube Fuse (Medium Slow Blow) Series



ELECTRICAL CHARACTERISTICS

Rating	2.1 I _n		2.75 I _n		4 I _n		10 I _n	
	Max	Min	Max	Min	Max	Min	Max	
100mA-10A	2 min	200ms	10s	40ms	3s	10ms	300ms	

I-T CHARACTERISTICS CURVE
电流-时间曲线图



Product Model	Rated Current	Rated Volta	Product Model	Rated Current	Rated Volta
1051-0100	100mA	125V/250V	1052-0100	100mA	125V/250V
1051-0125	125mA	125V/250V	1052-0125	125mA	125V/250V
1051-0150	150mA	125V/250V	1052-0150	150mA	125V/250V
1051-0160	160mA	125V/250V	1052-0160	160mA	125V/250V
1051-0200	200mA	125V/250V	1052-0200	200mA	125V/250V
1051-0250	250mA	125V/250V	1052-0250	250mA	125V/250V
1051-0300	300mA	125V/250V	1052-0300	300mA	125V/250V
1051-0315	315mA	125V/250V	1052-0315	315mA	125V/250V
1051-0350	350mA	125V/250V	1052-0350	350mA	125V/250V
1051-0400	40mA	125V/250V	1052-0400	40mA	125V/250V
1051-0500	500mA	125V/250V	1052-0500	500mA	125V/250V
1051-0600	600mA	125V/250V	1052-0600	600mA	125V/250V
1051-0700	700mA	125V/250V	1052-0700	700mA	125V/250V
1051-0750	750mA	125V/250V	1052-0750	750mA	125V/250V
1051-0800	800mA	125V/250V	1052-0800	800mA	125V/250V
1051-1000	1A	125V/250V	1052-1000	1A	125V/250V
1051-1200	1.2	125V/250V	1052-1200	1.2	125V/250V
1051-1250	1.25A	125V/250V	1052-1250	1.25A	125V/250V
1051-1500	1.5A	125V/250V	1052-1500	1.5A	125V/250V
1051-1600	1.6A	125V/250V	1052-1600	1.6A	125V/250V
1051-1800	1.8A	125V/250V	1052-1800	1.8A	125V/250V
1051-2000	2A	125V/250V	1052-2000	2A	125V/250V
1051-2500	2.5A	125V/250V	1052-2500	2.5A	125V/250V
1051-3000	3A	125V/250V	1052-3000	3A	125V/250V
1051-3150	3.15A	125V/250V	1052-3150	3.15A	125V/250V
1051-3500	3.5	125V/250V	1052-3500	3.5	125V/250V
1051-4000	4A	125V/250V	1052-4000	4A	125V/250V
1051-5000	5A	125V/250V	1052-5000	5A	125V/250V
1051-6000	6A	125V/250V	1052-6000	6A	125V/250V
1051-6300	6.3A	125V/250V	1052-6300	6.3A	125V/250V
1051-7000	7A	125V/250V	1052-7000	7A	125V/250V
1051-8000	8A	125V/250V	1052-8000	8A	125V/250V
1051-10000	10A	125V/250V	1052-10000	10A	125V/250V
1051-12000	12A	125V/250V	1052-12000	12A	125V/250V
1051-15000	15A	125V/250V	1052-15000	15A	125V/250V
1051-20000	20A	125V/250V	1052-20000	20A	125V/250V
1051-25000	25A	125V/250V	1052-25000	25A	125V/250V
1051-30000	30A	125V/250V	1052-30000	30A	125V/250V

ORDER INFORMATION

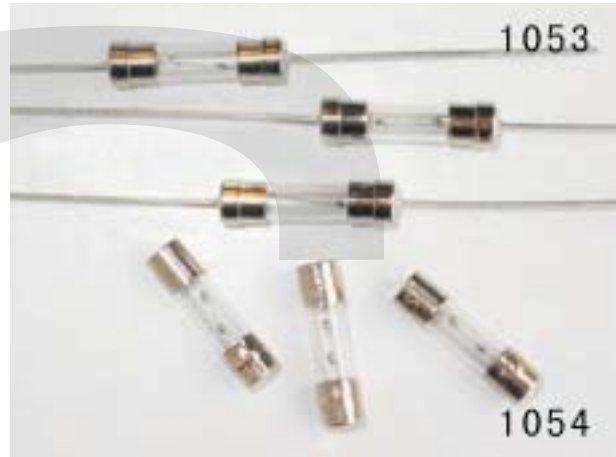
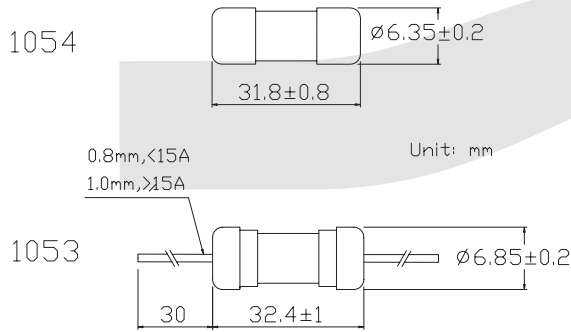
Product NO.: **KLS5-1051-XXXX**

Rated Current
Lead Type: 1051=No Lead 1052=With Lead
Part Number

FUSE AND FUSE HOLDER

Φ6.35x32(30) Glass Tube Fuse Series

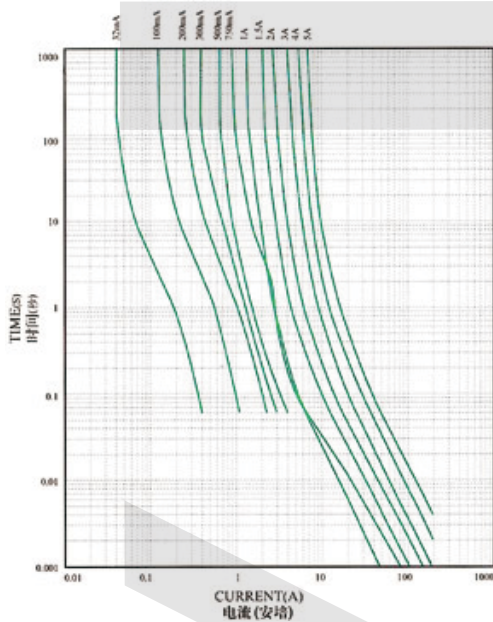
KLS5-1053/1054 Φ6.35x32(30) Glass Tube Fuse (Slow Blow) Series



ELECTRICAL CHARACTERISTICS

Rating	Blowing TIME
100%	4 hour Min
135%	1 hour Max
200%	120 sec Max

I-T CHARACTERISTICS CURVE
电流 - 时间曲线图



Product Model	Rated Current	Rated Volta	Product Model	Rated Current	Rated Volta
1054-0100	100mA	125V/250V	1053-0100	100mA	125V/250V
1054-0125	125mA	125V/250V	1053-0125	125mA	125V/250V
1054-0150	150mA	125V/250V	1053-0150	150mA	125V/250V
1054-0160	160mA	125V/250V	1053-0160	160mA	125V/250V
1054-0200	200mA	125V/250V	1053-0200	200mA	125V/250V
1054-0250	250mA	125V/250V	1053-0250	250mA	125V/250V
1054-0300	300mA	125V/250V	1053-0300	300mA	125V/250V
1054-0315	315mA	125V/250V	1053-0315	315mA	125V/250V
1054-0350	350mA	125V/250V	1053-0350	350mA	125V/250V
1054-0400	40mA	125V/250V	1053-0400	40mA	125V/250V
1054-0500	500mA	125V/250V	1053-0500	500mA	125V/250V
1054-0600	600mA	125V/250V	1053-0600	600mA	125V/250V
1054-0700	700mA	125V/250V	1053-0700	700mA	125V/250V
1054-0750	750mA	125V/250V	1053-0750	750mA	125V/250V
1054-0800	800mA	125V/250V	1053-0800	800mA	125V/250V
1054-1000	1A	125V/250V	1053-1000	1A	125V/250V
1054-1200	1.2	125V/250V	1053-1200	1.2	125V/250V
1054-1250	1.25A	125V/250V	1053-1250	1.25A	125V/250V
1054-1500	1.5A	125V/250V	1053-1500	1.5A	125V/250V
1054-1600	1.6A	125V/250V	1053-1600	1.6A	125V/250V
1054-1800	1.8A	125V/250V	1053-1800	1.8A	125V/250V
1054-2000	2A	125V/250V	1053-2000	2A	125V/250V
1054-2500	2.5A	125V/250V	1053-2500	2.5A	125V/250V
1054-3000	3A	125V/250V	1053-3000	3A	125V/250V
1054-3150	3.15A	125V/250V	1053-3150	3.15A	125V/250V
1054-3500	3.5	125V/250V	1053-3500	3.5	125V/250V
1054-4000	4A	125V/250V	1053-4000	4A	125V/250V
1054-5000	5A	125V/250V	1053-5000	5A	125V/250V
1054-6000	6A	125V/250V	1053-6000	6A	125V/250V
1054-6300	6.3A	125V/250V	1053-6300	6.3A	125V/250V
1054-7000	7A	125V/250V	1053-7000	7A	125V/250V
1054-8000	8A	125V/250V	1053-8000	8A	125V/250V
1054-10000	10A	125V/250V	1053-10000	10A	125V/250V
1054-12000	12A	125V/250V	1053-12000	12A	125V/250V
1054-15000	15A	125V/250V	1053-15000	15A	125V/250V
1054-20000	20A	125V/250V	1053-20000	20A	125V/250V
1054-25000	25A	125V/250V	1053-25000	25A	125V/250V
1054-30000	30A	125V/250V	1053-30000	30A	125V/250V

ORDER INFORMATION

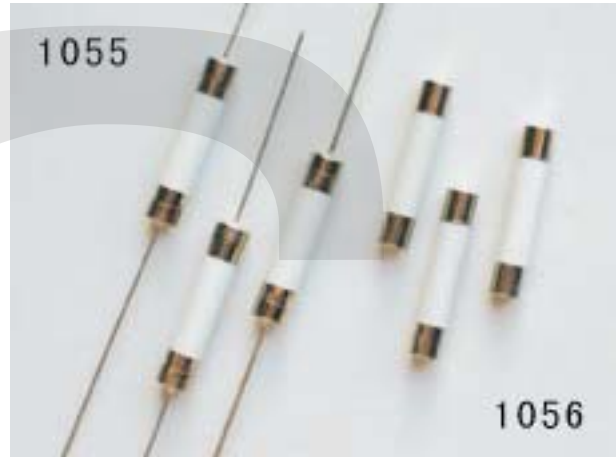
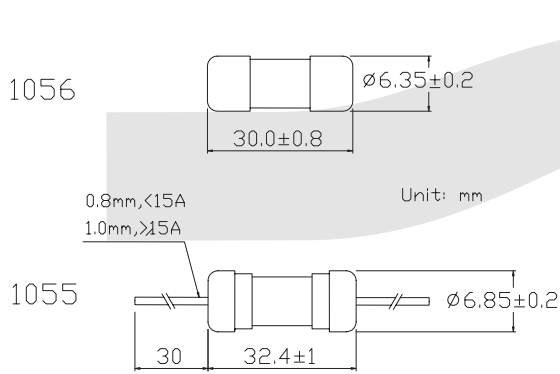
Product NO.: **KLS5-1053-XXXX**

Rated Current
Lead Type: 1053=With Lead 1054=No Lead
Part Number

FUSE AND FUSE HOLDER

Φ6.35x32(30) Ceramic Tube Fuse Series

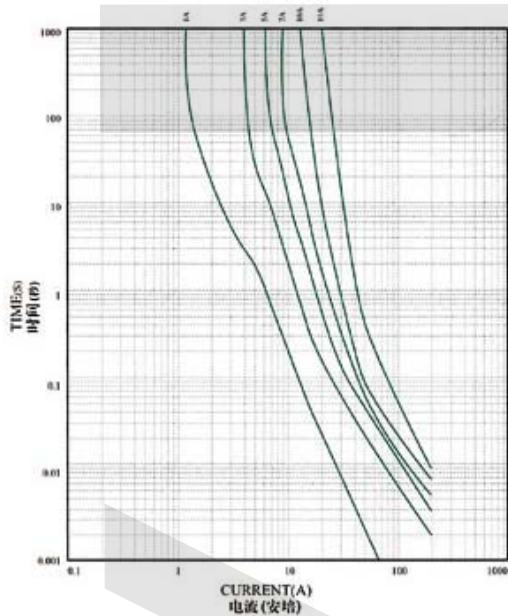
KLS5-1055/1056 Φ6.35x32(30) Ceramic Tube Fuse (Fast Blow) Series



ELECTRICAL CHARACTERISTICS

Rating	Blowing TIME
100%	4 hour Min
135%	1 hour Max
200%	120 sec Max

I-T CHARACTERISTICS CURVE
电流-时间曲线图



Product Model	Rated Current	Rated Volta	Product Model	Rated Current	Rated Volta
1056-0100	100mA	125V/250V	1055-0100	100mA	125V/250V
1056-0125	125mA	125V/250V	1055-0125	125mA	125V/250V
1056-0150	150mA	125V/250V	1055-0150	150mA	125V/250V
1056-0160	160mA	125V/250V	1055-0160	160mA	125V/250V
1056-0200	200mA	125V/250V	1055-0200	200mA	125V/250V
1056-0250	250mA	125V/250V	1055-0250	250mA	125V/250V
1056-0300	300mA	125V/250V	1055-0300	300mA	125V/250V
1056-0315	315mA	125V/250V	1055-0315	315mA	125V/250V
1056-0350	350mA	125V/250V	1055-0350	350mA	125V/250V
1056-0400	40mA	125V/250V	1055-0400	40mA	125V/250V
1056-0500	500mA	125V/250V	1055-0500	500mA	125V/250V
1056-0600	600mA	125V/250V	1055-0600	600mA	125V/250V
1056-0700	700mA	125V/250V	1055-0700	700mA	125V/250V
1056-0750	750mA	125V/250V	1055-0750	750mA	125V/250V
1056-0800	800mA	125V/250V	1055-0800	800mA	125V/250V
1056-1000	1A	125V/250V	1055-1000	1A	125V/250V
1056-1200	1.2	125V/250V	1055-1200	1.2	125V/250V
1056-1250	1.25A	125V/250V	1055-1250	1.25A	125V/250V
1056-1500	1.5A	125V/250V	1055-1500	1.5A	125V/250V
1056-1600	1.6A	125V/250V	1055-1600	1.6A	125V/250V
1056-1800	1.8A	125V/250V	1055-1800	1.8A	125V/250V
1056-2000	2A	125V/250V	1055-2000	2A	125V/250V
1056-2500	2.5A	125V/250V	1055-2500	2.5A	125V/250V
1056-3000	3A	125V/250V	1055-3000	3A	125V/250V
1056-3150	3.15A	125V/250V	1055-3150	3.15A	125V/250V
1056-3500	3.5	125V/250V	1055-3500	3.5	125V/250V
1056-4000	4A	125V/250V	1055-4000	4A	125V/250V
1056-5000	5A	125V/250V	1055-5000	5A	125V/250V
1056-6000	6A	125V/250V	1055-6000	6A	125V/250V
1056-6300	6.3A	125V/250V	1055-6300	6.3A	125V/250V
1056-7000	7A	125V/250V	1055-7000	7A	125V/250V
1056-8000	8A	125V/250V	1055-8000	8A	125V/250V
1056-10000	10A	125V/250V	1055-10000	10A	125V/250V
1056-12000	12A	125V/250V	1055-12000	12A	125V/250V
1056-15000	15A	125V/250V	1055-15000	15A	125V/250V
1056-20000	20A	125V/250V	1055-20000	20A	125V/250V
1056-25000	25A	125V/250V	1055-25000	25A	125V/250V
1056-30000	30A	125V/250V	1055-30000	30A	125V/250V

ORDER INFORMATION

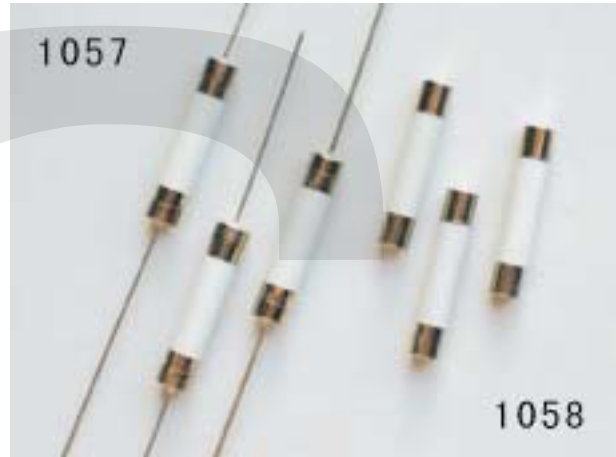
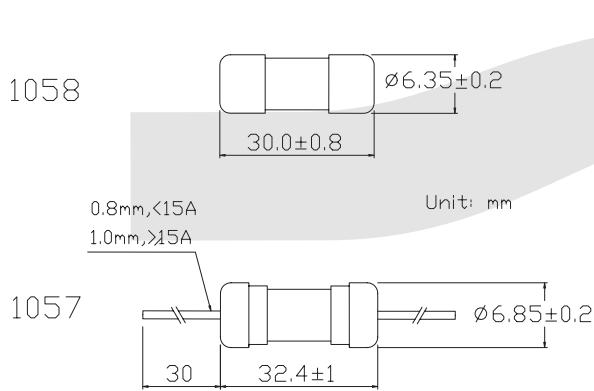
Product NO.: KLS5-1055-XXXX

Rated Current
Lead Type: 1055=With Lead 1056=No Lead
Part Number

FUSE AND FUSE HOLDER

Φ6.35x32(30) Ceramic Tube Fuse Series

KLS5-1057/1058 Φ6.35x32(30) Ceramic Tube Fuse (Slow Blow) Series

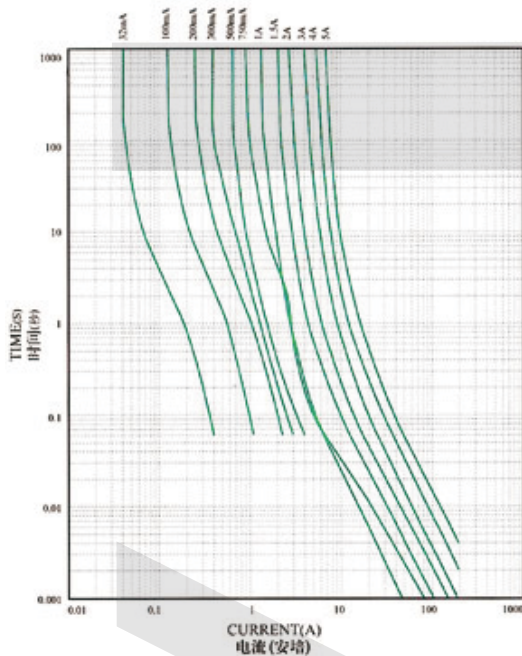


ELECTRICAL CHARACTERISTICS

Rating	Blowing TIME
100%	4 hour Min
135%	1 hour Max
200%	5s ~ 120s

Product Model	Rated Current	Rated Volts	Product Model	Rated Current	Rated Volts
1058-0100	100mA	125V/250V	1057-0100	100mA	125V/250V
1058-0125	125mA	125V/250V	1057-0125	125mA	125V/250V
1058-0150	150mA	125V/250V	1057-0150	150mA	125V/250V
1058-0160	160mA	125V/250V	1057-0160	160mA	125V/250V
1058-0200	200mA	125V/250V	1057-0200	200mA	125V/250V
1058-0250	250mA	125V/250V	1057-0250	250mA	125V/250V
1058-0300	300mA	125V/250V	1057-0300	300mA	125V/250V
1058-0315	315mA	125V/250V	1057-0315	315mA	125V/250V
1058-0350	350mA	125V/250V	1057-0350	350mA	125V/250V
1058-0400	40mA	125V/250V	1057-0400	40mA	125V/250V
1058-0500	500mA	125V/250V	1057-0500	500mA	125V/250V
1058-0600	600mA	125V/250V	1057-0600	600mA	125V/250V
1058-0700	700mA	125V/250V	1057-0700	700mA	125V/250V
1058-0750	750mA	125V/250V	1057-0750	750mA	125V/250V
1058-0800	800mA	125V/250V	1057-0800	800mA	125V/250V
1058-1000	1A	125V/250V	1057-1000	1A	125V/250V
1058-1200	1.2	125V/250V	1057-1200	1.2	125V/250V
1058-1250	1.25A	125V/250V	1057-1250	1.25A	125V/250V
1058-1500	1.5A	125V/250V	1057-1500	1.5A	125V/250V
1058-1600	1.6A	125V/250V	1057-1600	1.6A	125V/250V
1058-1800	1.8A	125V/250V	1057-1800	1.8A	125V/250V
1058-2000	2A	125V/250V	1057-2000	2A	125V/250V
1058-2500	2.5A	125V/250V	1057-2500	2.5A	125V/250V
1058-3000	3A	125V/250V	1057-3000	3A	125V/250V
1058-3150	3.15A	125V/250V	1057-3150	3.15A	125V/250V
1058-3500	3.5	125V/250V	1057-3500	3.5	125V/250V
1058-4000	4A	125V/250V	1057-4000	4A	125V/250V
1058-5000	5A	125V/250V	1057-5000	5A	125V/250V
1058-6000	6A	125V/250V	1057-6000	6A	125V/250V
1058-6300	6.3A	125V/250V	1057-6300	6.3A	125V/250V
1058-7000	7A	125V/250V	1057-7000	7A	125V/250V
1058-8000	8A	125V/250V	1057-8000	8A	125V/250V
1058-10000	10A	125V/250V	1057-10000	10A	125V/250V
1058-12000	12A	125V/250V	1057-12000	12A	125V/250V
1058-15000	15A	125V/250V	1057-15000	15A	125V/250V
1058-20000	20A	125V/250V	1057-20000	20A	125V/250V
1058-25000	25A	125V/250V	1057-25000	25A	125V/250V
1058-30000	30A	125V/250V	1057-30000	30A	125V/250V

I-T CHARACTERISTICS CURVE
电流 - 时间曲线图



ORDER INFORMATION

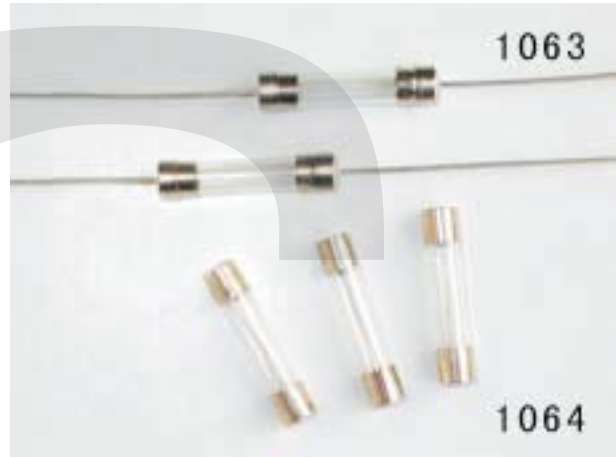
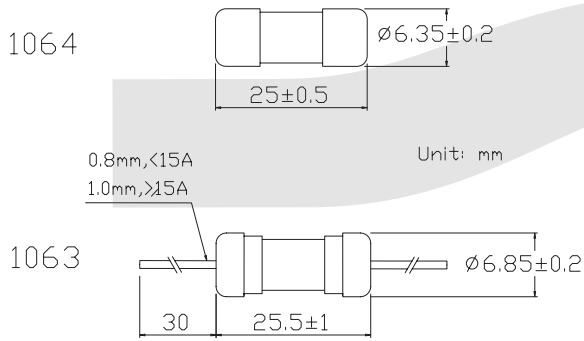
Product NO.: KLS5-1057-XXXX

Rated Current
Lead Type: 1057=With Lead 1058=No Lead
Part Number

FUSE AND FUSE HOLDER

Φ6.35x25 Glass Tube Fuse Series

KLS5-1063/1064 Φ6.35x25 Glass Tube Fuse (Fast Blow) Series

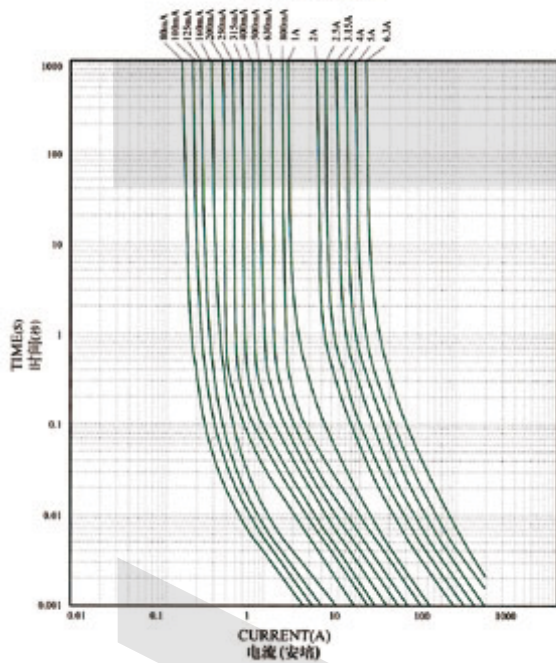


ELECTRICAL CHARACTERISTICS

Rating	2.1 In		2.75 In		4 In		10 In
	Max	Min	Max	Min	Max	Max	
≥50mA~100mA	20s	20ms	200ms	1ms	30ms	5ms	
>100mA~10A	20s	20ms	1500ms	8ms	400ms	80ms	

Product Model	Rated Current	Rated Volts	Product Model	Rated Current	Rated Volts
1064-0100	100mA	125V/250V	1063-0100	100mA	125V/250V
1064-0125	125mA	125V/250V	1063-0125	125mA	125V/250V
1064-0150	150mA	125V/250V	1063-0150	150mA	125V/250V
1064-0160	160mA	125V/250V	1063-0160	160mA	125V/250V
1064-0200	200mA	125V/250V	1063-0200	200mA	125V/250V
1064-0250	250mA	125V/250V	1063-0250	250mA	125V/250V
1064-0300	300mA	125V/250V	1063-0300	300mA	125V/250V
1064-0315	315mA	125V/250V	1063-0315	315mA	125V/250V
1064-0350	350mA	125V/250V	1063-0350	350mA	125V/250V
1064-0400	40mA	125V/250V	1063-0400	40mA	125V/250V
1064-0500	500mA	125V/250V	1063-0500	500mA	125V/250V
1064-0600	600mA	125V/250V	1063-0600	600mA	125V/250V
1064-0700	700mA	125V/250V	1063-0700	700mA	125V/250V
1064-0750	750mA	125V/250V	1063-0750	750mA	125V/250V
1064-0800	800mA	125V/250V	1063-0800	800mA	125V/250V
1064-1000	1A	125V/250V	1063-1000	1A	125V/250V
1064-1200	1.2	125V/250V	1063-1200	1.2	125V/250V
1064-1250	1.25A	125V/250V	1063-1250	1.25A	125V/250V
1064-1500	1.5A	125V/250V	1063-1500	1.5A	125V/250V
1064-1600	1.6A	125V/250V	1063-1600	1.6A	125V/250V
1064-1800	1.8A	125V/250V	1063-1800	1.8A	125V/250V
1064-2000	2A	125V/250V	1063-2000	2A	125V/250V
1064-2500	2.5A	125V/250V	1063-2500	2.5A	125V/250V
1064-3000	3A	125V/250V	1063-3000	3A	125V/250V
1064-3150	3.15A	125V/250V	1063-3150	3.15A	125V/250V
1064-3500	3.5	125V/250V	1063-3500	3.5	125V/250V
1064-4000	4A	125V/250V	1063-4000	4A	125V/250V
1064-5000	5A	125V/250V	1063-5000	5A	125V/250V
1064-6000	6A	125V/250V	1063-6000	6A	125V/250V
1064-6300	6.3A	125V/250V	1063-6300	6.3A	125V/250V
1064-7000	7A	125V/250V	1063-7000	7A	125V/250V
1064-8000	8A	125V/250V	1063-8000	8A	125V/250V
1064-10000	10A	125V/250V	1063-10000	10A	125V/250V
1064-12000	12A	125V/250V	1063-12000	12A	125V/250V
1064-15000	15A	125V/250V	1063-15000	15A	125V/250V
1064-20000	20A	125V/250V	1063-20000	20A	125V/250V
1064-25000	25A	125V/250V	1063-25000	25A	125V/250V
1064-30000	30A	125V/250V	1063-30000	30A	125V/250V

I-T CHARACTERISTICS CURVE
电流-时间曲线图



ORDER INFORMATION

Product NO.: KLS5-1063-XXXX

Rated Current
Lead Type: 1063=With Lead 1064=No Lead
Part Number