

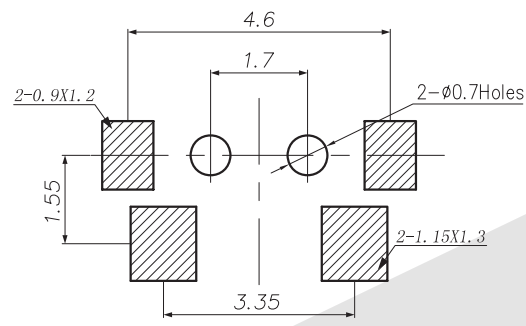
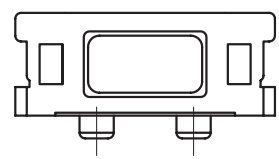
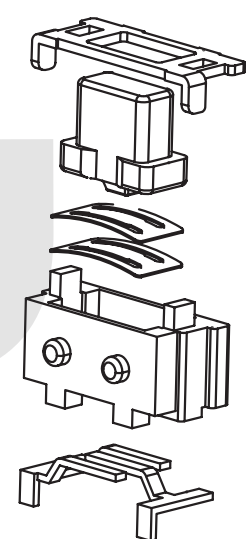
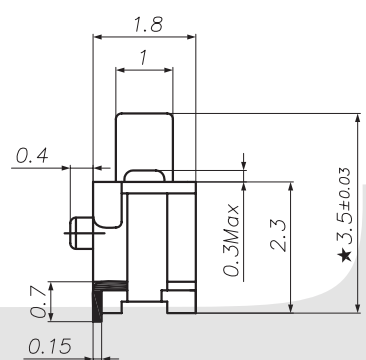
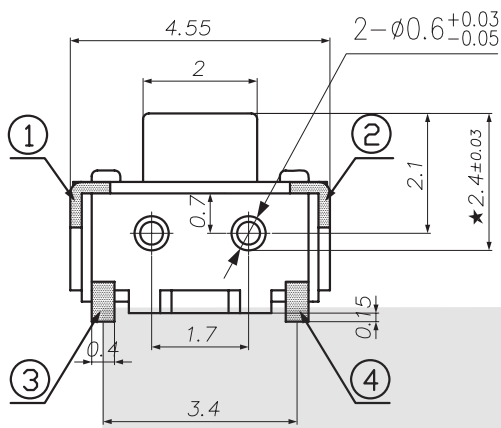
Switch

Tact Switch Series

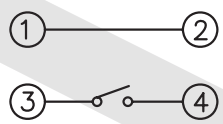
KLS7-TS2435 2x4 Tact Switch Series

ELECTRICAL

1. Rating: 20mA 12Vdc
2. Contact Resistance : 50mΩ Max.
3. Insulation Resistance: 100MΩ Min.
4. Dielectric Strength : AC250V(50/60Hz for 1minute)
5. Electrically Life: 50, 000cycles
6. Environment temperature: -25°C~+70°C
7. Operating Force: 160/250(±30gf)
8. Seal temperature: 260°C~ 280°C



SCHEMATIC



ORDER INFORMATION

KLS7-TS2435 - 160 -T
 Series No. _____ Packing: B-Bulk T-Tape
 Operating Force : 160~250gf

All specification & dimensions are subject to change, please call your nearest KLS sales representative for update information

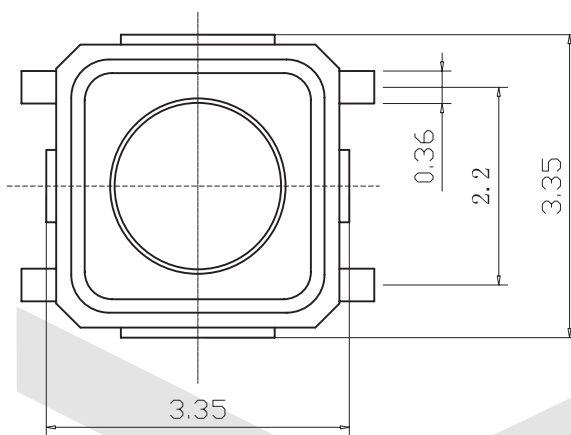
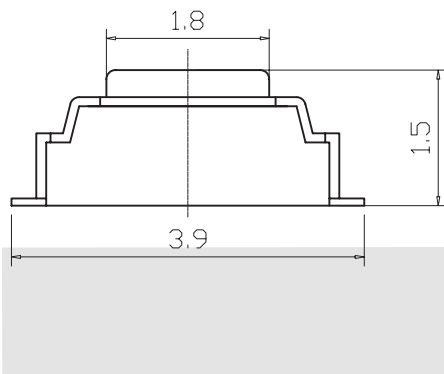
Switch

Tact Switch Series

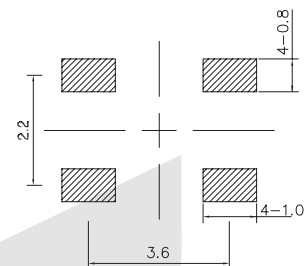
KLS7-TS3301 3.3x3.3 Tact Switch Series

ELECTRICAL

1. Rating: 20mA 12Vdc
2. Contact Resistance : 50mΩ Max.
3. Insulation Resistance: 100MΩ Min.
4. Dielectric Strength : AC250V(50/60Hz for 1minute)
5. Electrically Life: 50, 000cycles
6. Environment temperature: -25°C~+70°C
7. Operating Force: 160/250(±30gf)
8. Seal temperature: 260°C~ 280°C



P.C.B Mounting



ORDER INFORMATION

KLS7-TS3301 - 160 -T
Series No. _____ Packing: B-Bulk T-Tape
Operating Force : 160~250gf