

Switch

VII

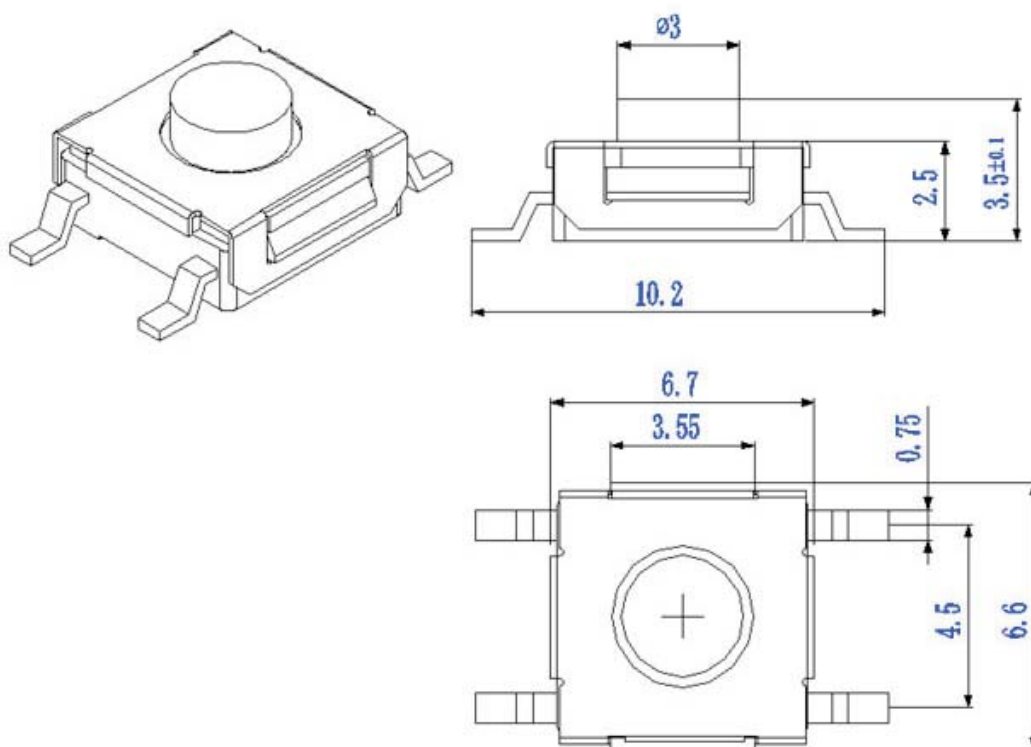
DIP Switch Series

KLS7-TS6612(Water-proof)

SPECIFICATIONS

SIZE: 6*6mm
 Rating:50mA 12 VDC
 Contact Resistance:50MΩ Max(initial)
 Insulation Resistance:100 MΩ (minDC 250V)
 Dielectric Strength:AC 250V/(50/60Hz for 1minute)
 Electrical life:100000cycles
 Environment Temp: -20°C-70°C
 Operation Force :180/250(30gf)
 Seal temperature:260°C-280°C

Height: H1=2.1mm H2=2.5mm H3=2.7mm H4=3.1mm H5=3.5mm H6=5.1mm



ORDER INFORMATION

Switch

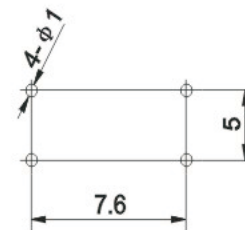
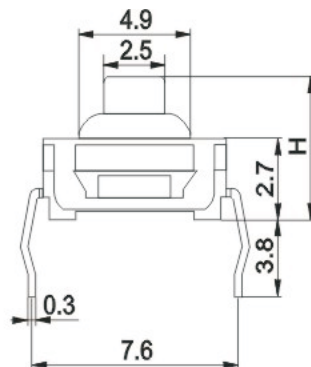
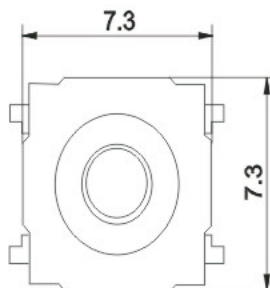
DIP Switch Series

KLS7-TS7701(Water-proof)

SPECIFICATIONS

SIZE: 7*7mm
Rating:50mA 12 VDC
Contact Resistance:50MΩ Max(initial)
Insulation Resistance:100 MΩ (minDC 250V)
Dielectric Strength:AC 250V/(50/60Hz for 1minute)
Electrical life:100000cycles
Environment Temp: -25°C-70°C
Operation Force :180/250(30gf)
Seal temperature:260°C-280°C

Height: H1=5.0mm H2=9.9mm



ORDER INFORMATION

Switch

DIP Switch Series

KLS7-TS7701C (Water-proof)

SPECIFICATIONS

SIZE: 7*7mm
Rating:50mA 12 VDC
Contact Resistance:50MΩ Max(initial)
Insulation Resistance:100 MΩ (minDC 250V)
Dielectric Strength:AC 250V/(50/60Hz for 1minute) ,
Electrical life:100000cycles
Environment Temp: -20°C-70°C
Operation Force :180/250(30gf)
Seal temperature:260°C-280°C

Height: H1=5.0mm H2=9.9mm



ORDER INFORMATION

Switch

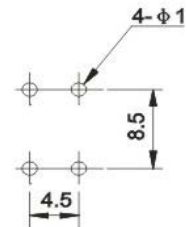
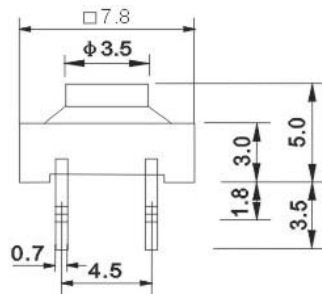
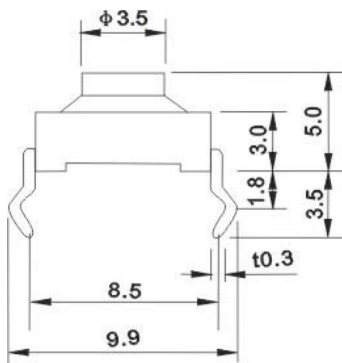
DIP Switch Series

KLS7-TS7703(Water-proof)

SPECIFICATIONS

SIZE: 7*7mm
Rating:50mA 12 VDC
Contact Resistance:50MΩ Max(initial)
Insulation Resistance:100 MΩ (minDC 250V)
Dielectric Strength:AC 250V/(50/60Hz for 1minute)
Electrical life:100000cycles
Environment Temp: -25°C-70°C
Operation Force :180/250(30gf)
Seal temperature:260°C-280°C

Height: H1=5.0mm



ORDER INFORMATION

Switch

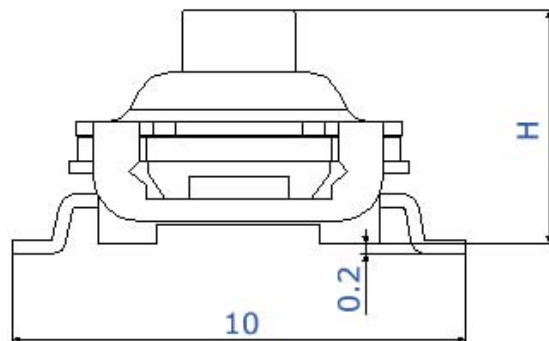
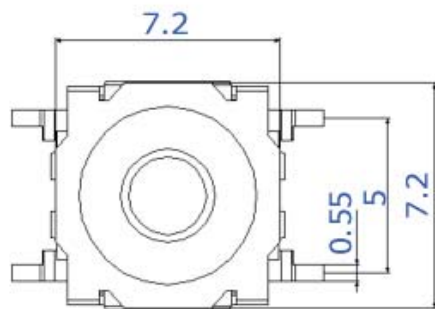
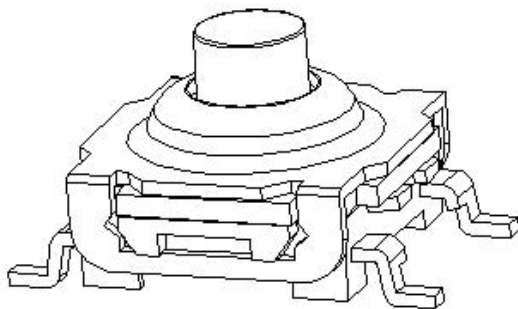
DIP Switch Series

KLS7-TS7704(Water-proof)

SPECIFICATIONS

SIZE: 7*7mm
Rating:50mA 12 VDC
Contact Resistance:50MΩ Max(initial)
Insulation Resistance:100 MΩ (minDC 250V)
Dielectric Strength:AC 250V/(50/60Hz for 1minute)
Electrical life:100000cycles
Environment Temp: -20°C-70°C
Operation Force :180/250(30gf)
Seal temperature:260°C-280°C

Height: H1=5.0mm H2=9.9mm



ORDER INFORMATION