

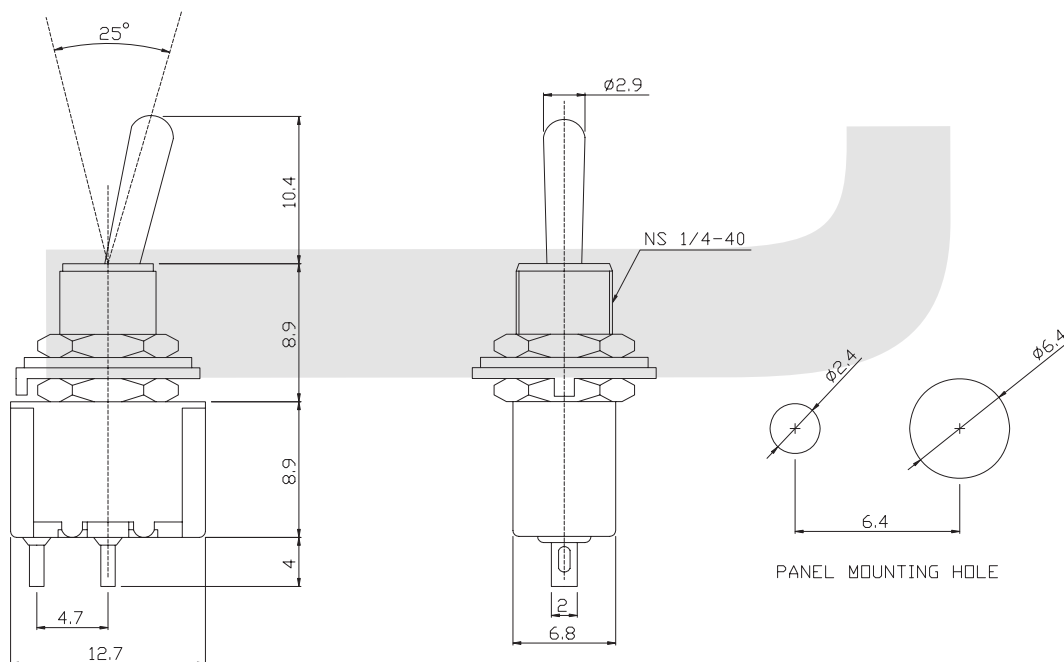
Switch

Toggle Switch Series

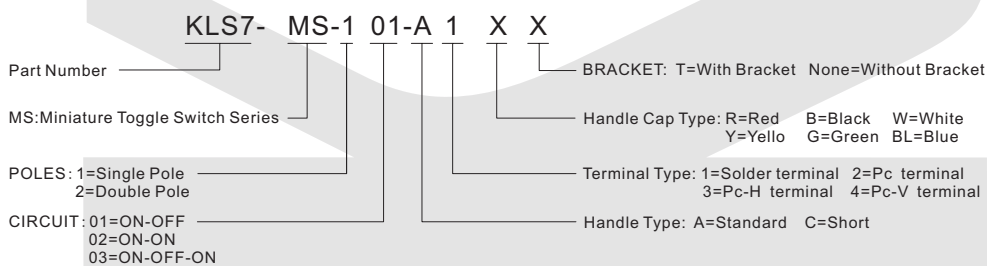
KLS7-MS-101-A1 Miniature Toggle Switch Series

SPECIFICATIONS

- Rating: 5A 125VAC; 2A 250VAC
- Contact Resistance: 20MΩ max
- Insulation Resistance: 500V DC 1000MΩ Min
- Dielectric Strength: 1500V AC 1 Minute
- Operating Temperature: -55°C~+85°C
- Electrical Life :20,000 cycles



ORDER INFORMATION

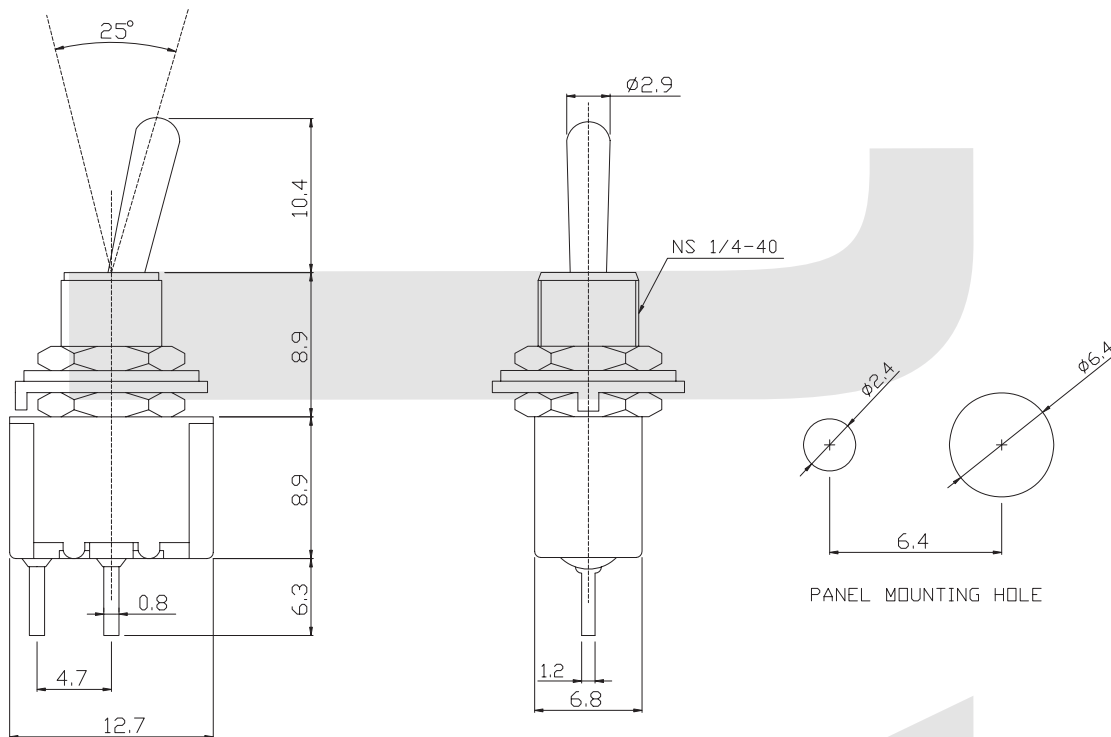


Toggle Switch Series

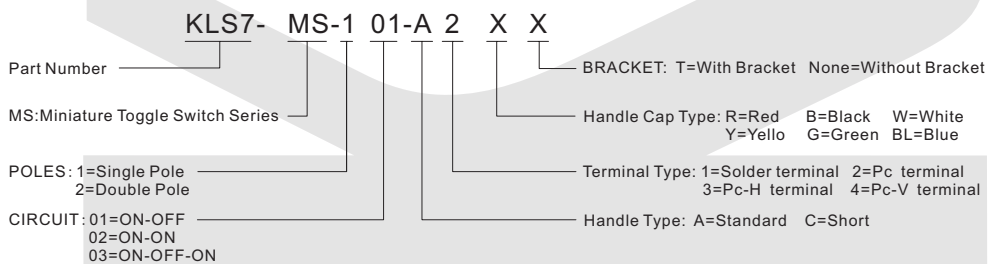
KLS7-MS-101-A2 Miniature Toggle Switch Series

SPECIFICATIONS

Rating: 5A 125VAC; 2A 250VAC
 Contact Resistance: 20MΩ max
 Insulation Resistance: 500V DC 1000MΩ Min
 Dielectric Strength: 1500V AC 1 Minute
 Operating Temperature: -55°C~+85°C
 Electrical Life :20,000 cycles



ORDER INFORMATION



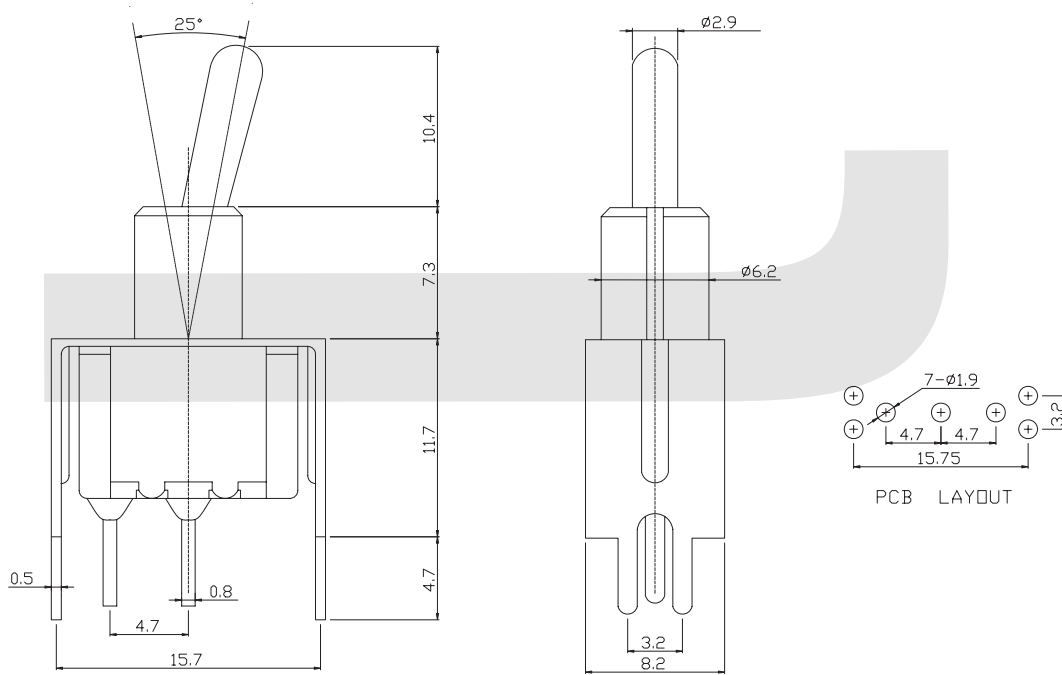
Switch

Toggle Switch Series

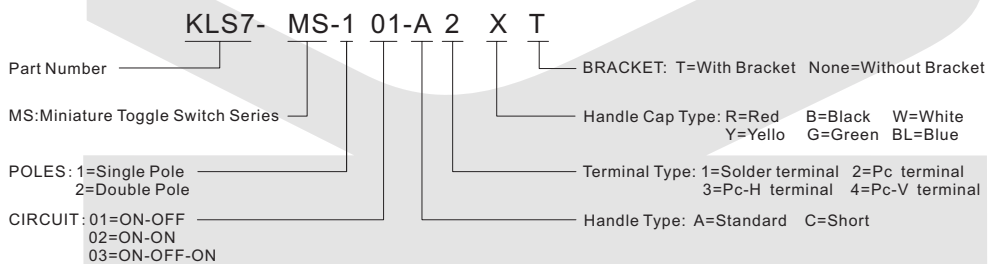
KLS7-MS-101-A2T Miniature Toggle Switch Series

SPECIFICATIONS

- Rating: 5A 125VAC; 2A 250VAC
- Contact Resistance: 20MΩ max
- Insulation Resistance: 500V DC 1000MΩ Min
- Dielectric Strength: 1500V AC 1 Minute
- Operating Temperature: -55°C~+85°C
- Electrical Life :20,000 cycles



ORDER INFORMATION



Switch

Toggle Switch Series

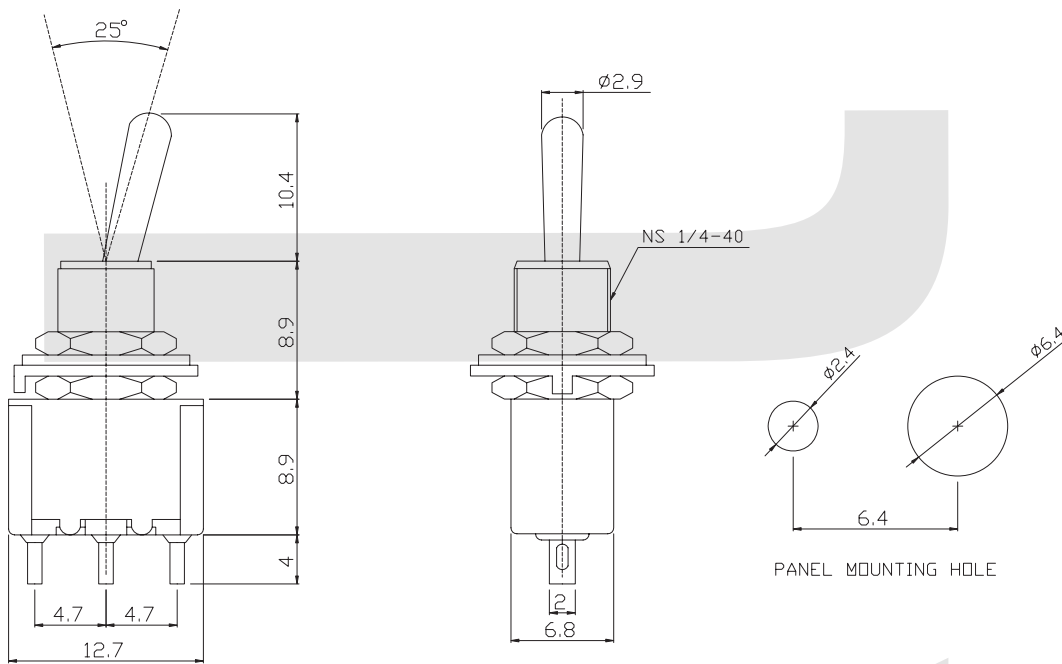
KLS7-MS-102-A1 Miniature Toggle Switch Series

SPECIFICATIONS

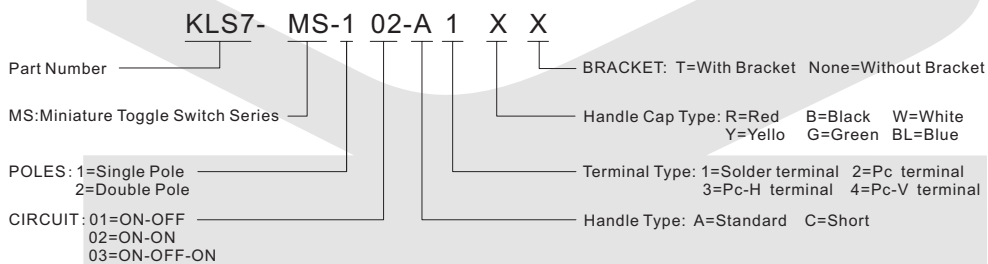
- Rating: 5A 125VAC; 2A 250VAC
- Contact Resistance: 20MΩ max
- Insulation Resistance: 500V DC 1000MΩ Min
- Dielectric Strength: 1500V AC 1 Minute
- Operating Temperature: -55°C~+85°C
- Electrical Life :20,000 cycles



VII



ORDER INFORMATION



Switch

Toggle Switch Series

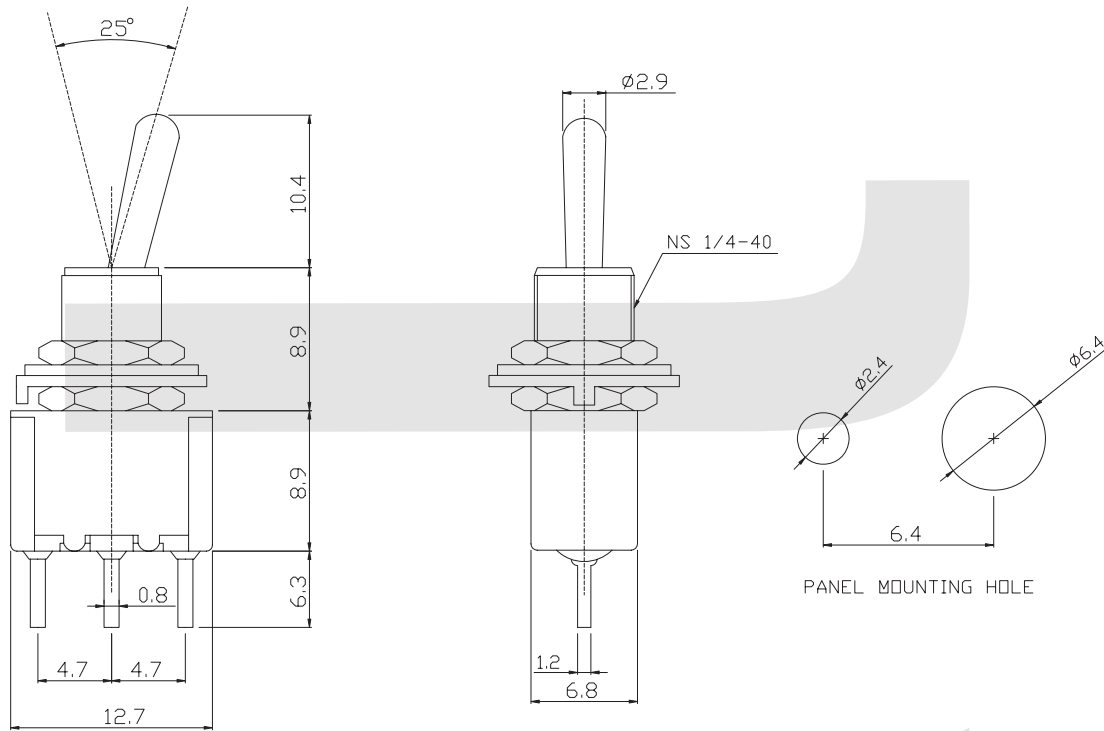
KLS7-MS-102-A2 Miniature Toggle Switch Series

SPECIFICATIONS

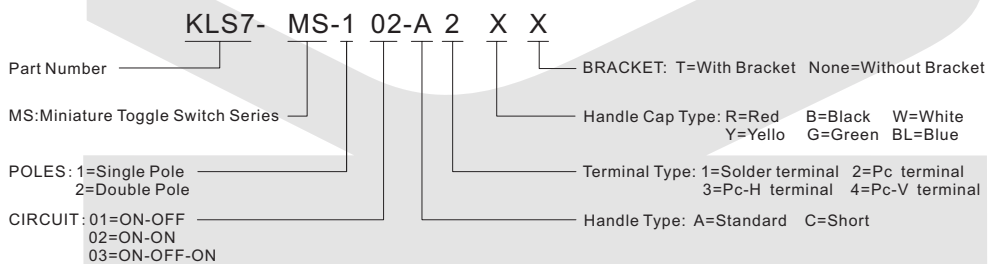
- Rating: 5A 125VAC; 2A 250VAC
- Contact Resistance: 20MΩ max
- Insulation Resistance: 500V DC 1000MΩ Min
- Dielectric Strength: 1500V AC 1 Minute
- Operating Temperature: -55°C~+85°C
- Electrical Life :20,000 cycles



VII



ORDER INFORMATION



Switch

Toggle Switch Series

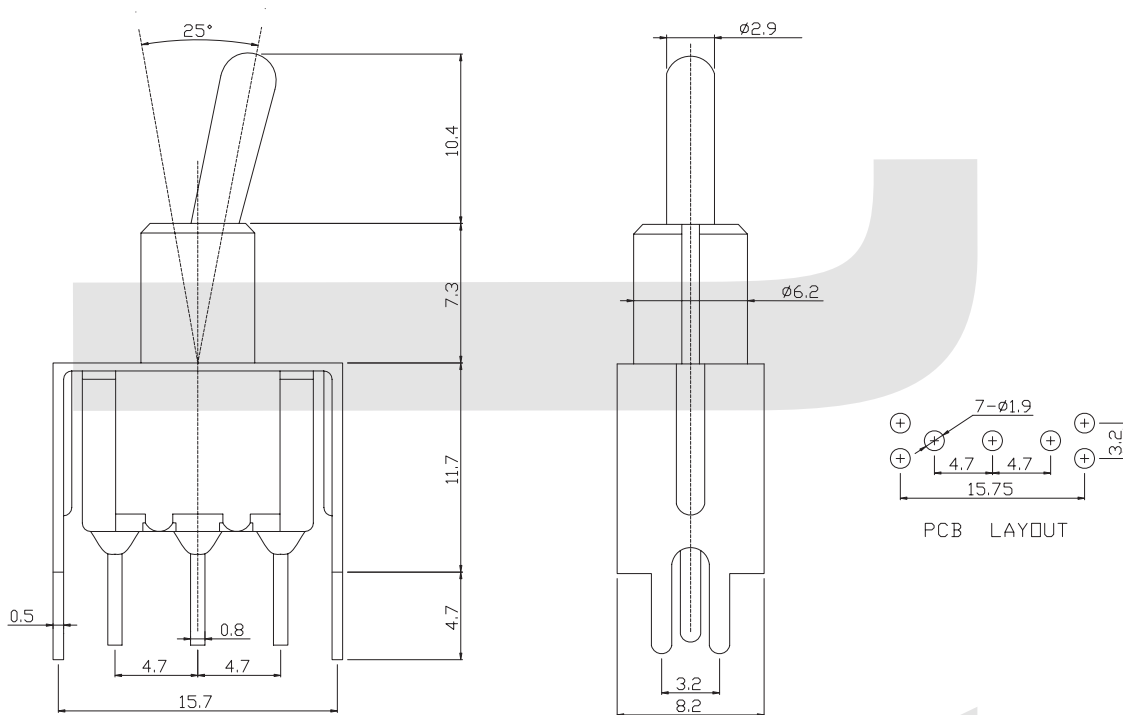
KLS7-MS-102-A2T Miniature Toggle Switch Series

SPECIFICATIONS

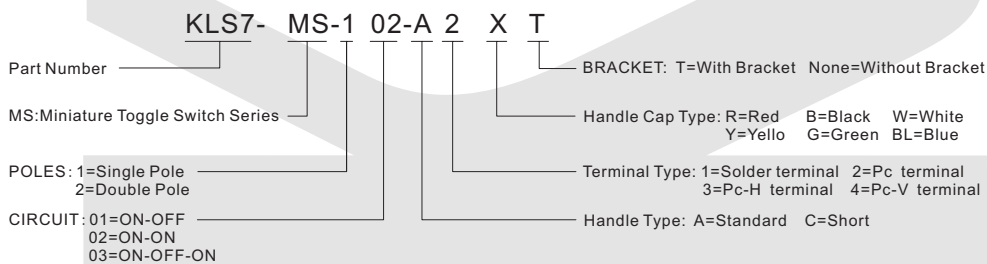
- Rating: 5A 125VAC; 2A 250VAC
- Contact Resistance: 20MΩ max
- Insulation Resistance: 500V DC 1000MΩ Min
- Dielectric Strength: 1500V AC 1 Minute
- Operating Temperature: -55°C~+85°C
- Electrical Life :20,000 cycles



VII



ORDER INFORMATION



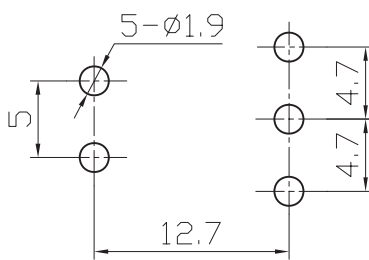
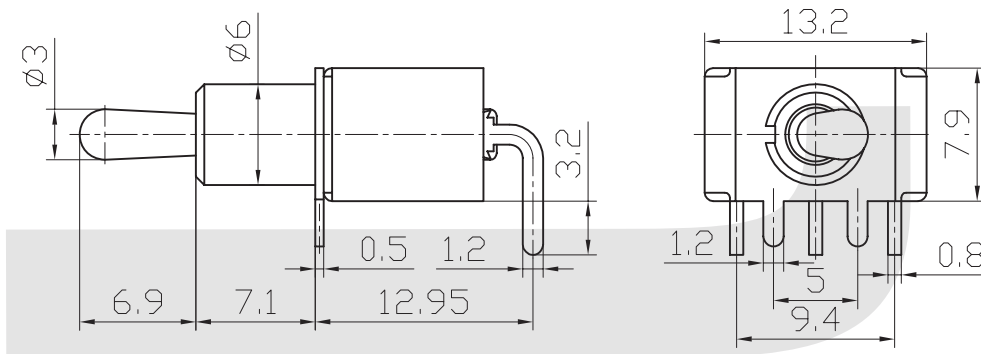
Switch

Toggle Switch Series

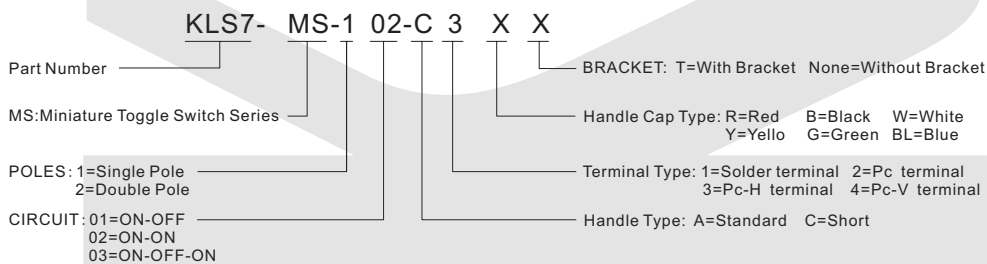
KLS7-MS-102-C3 Miniature Toggle Switch Series

SPECIFICATIONS

- Rating: 5A 125VAC; 2A 250VAC
- Contact Resistance: 20MΩ max
- Insulation Resistance: 500V DC 1000MΩ Min
- Dielectric Strength: 1500V AC 1 Minute
- Operating Temperature: -55°C~+85°C
- Electrical Life :20,000 cycles



ORDER INFORMATION



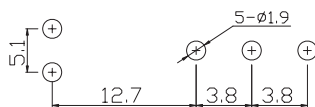
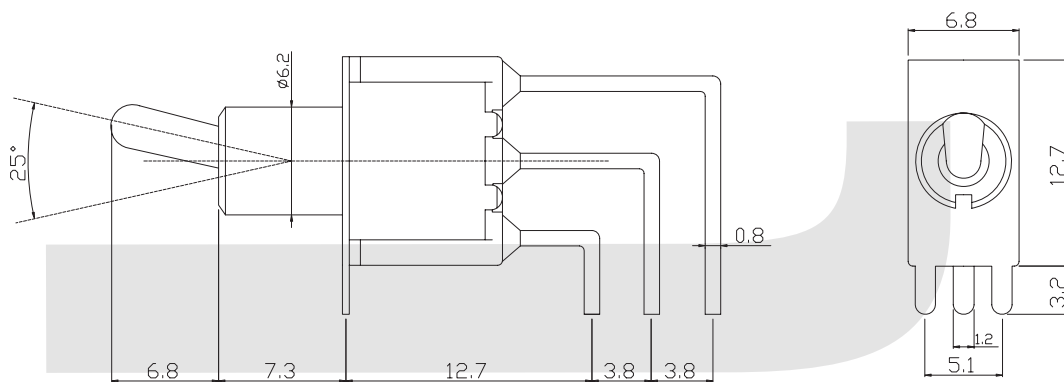
Switch

Toggle Switch Series

KLS7-MS-102-C4 Miniature Toggle Switch Series

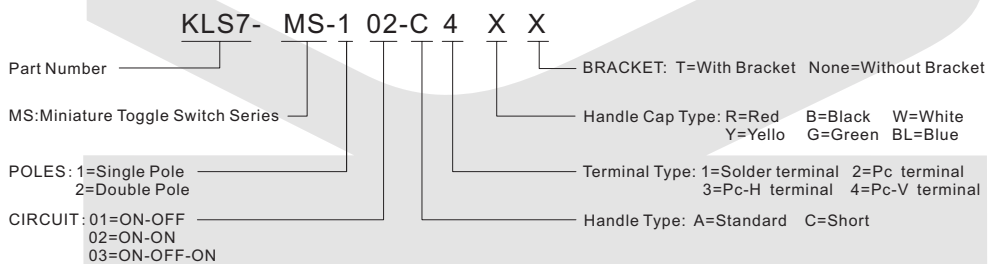
SPECIFICATIONS

- Rating: 5A 125VAC; 2A 250VAC
- Contact Resistance: 20MΩ max
- Insulation Resistance: 500V DC 1000MΩ Min
- Dielectric Strength: 1500V AC 1 Minute
- Operating Temperature: -55°C~+85°C
- Electrical Life :20,000 cycles



PCB LAYOUT

ORDER INFORMATION



Switch

Toggle Switch Series

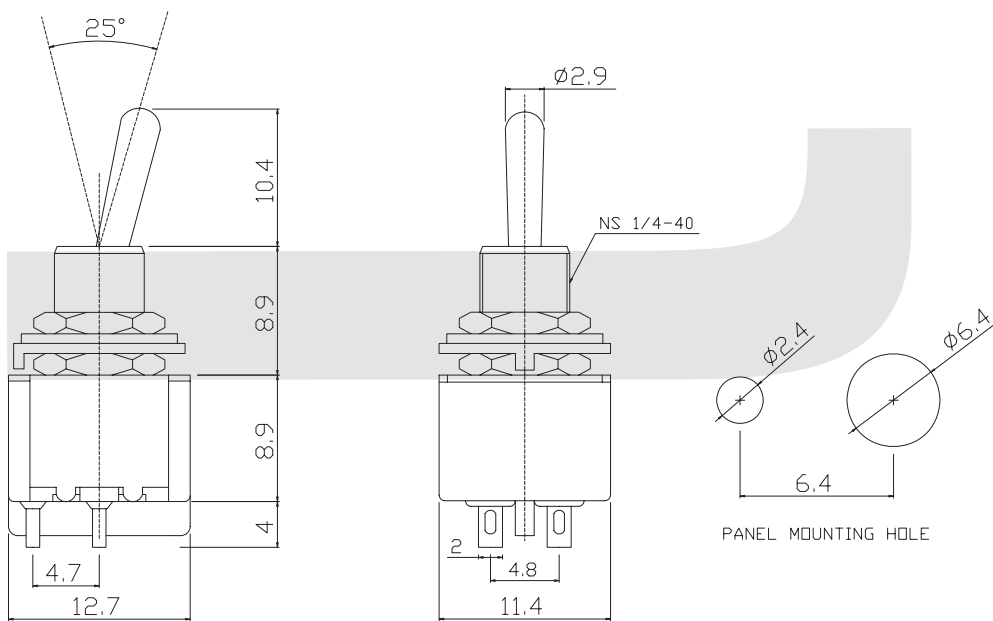
KLS7-MS-201-A1 Miniature Toggle Switch Series

SPECIFICATIONS

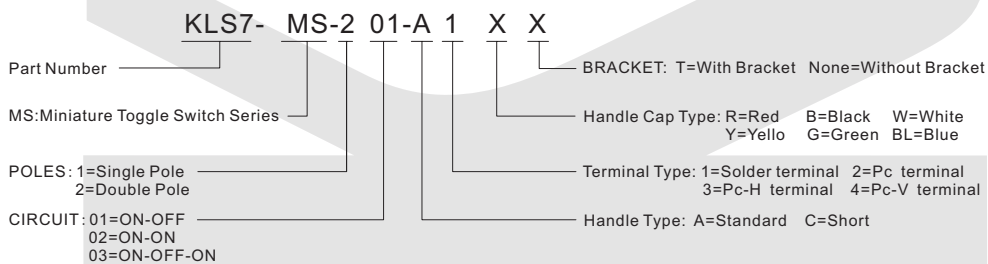
- Rating: 5A 125VAC; 2A 250VAC
- Contact Resistance: 20MΩ max
- Insulation Resistance: 500V DC 1000MΩ Min
- Dielectric Strength: 1500V AC 1 Minute
- Operating Temperature: -55°C~+85°C
- Electrical Life :20,000 cycles



VII



ORDER INFORMATION



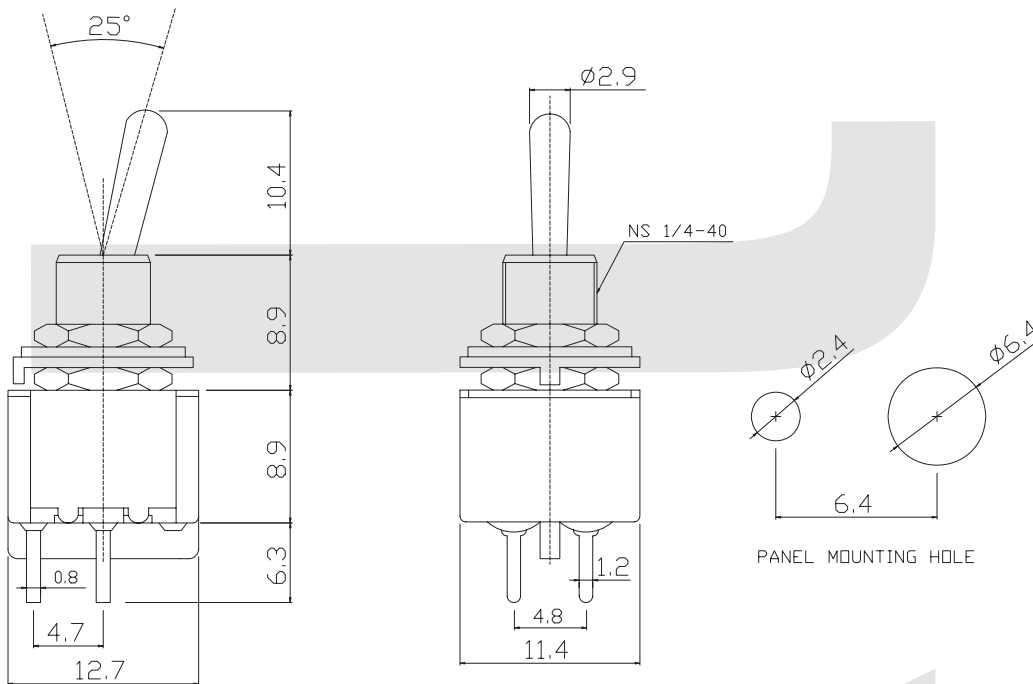
Switch

Toggle Switch Series

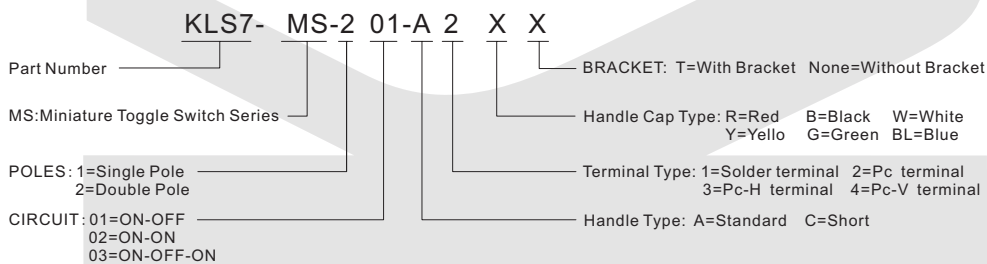
KLS7-MS-201-A2 Miniature Toggle Switch Series

SPECIFICATIONS

- Rating: 5A 125VAC; 2A 250VAC
- Contact Resistance: 20MΩ max
- Insulation Resistance: 500V DC 1000MΩ Min
- Dielectric Strength: 1500V AC 1 Minute
- Operating Temperature: -55°C~+85°C
- Electrical Life :20,000 cycles



ORDER INFORMATION



Switch

Toggle Switch Series

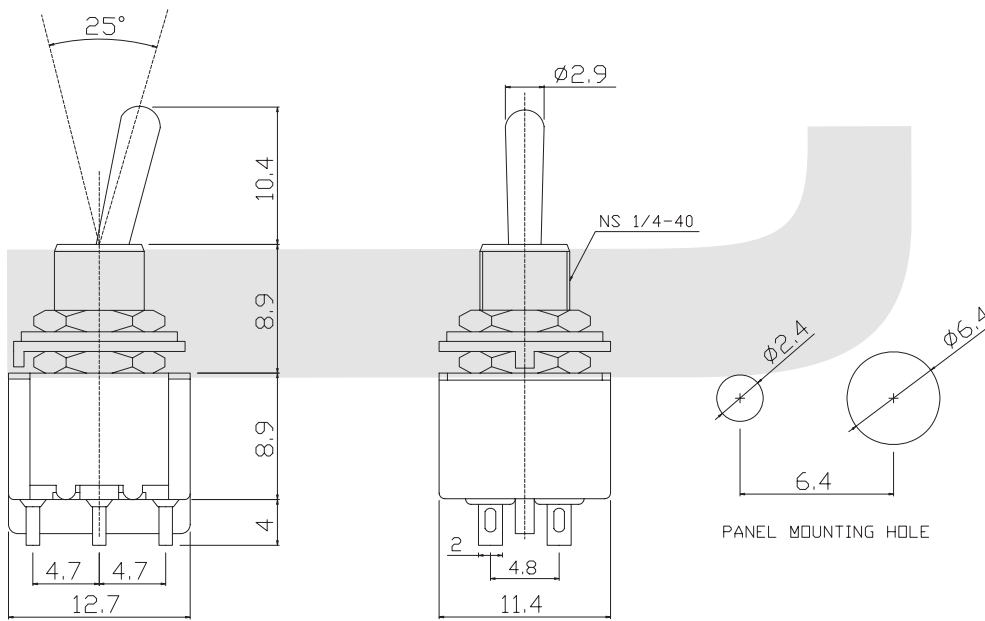
KLS7-MS-202-A1 Miniature Toggle Switch Series

SPECIFICATIONS

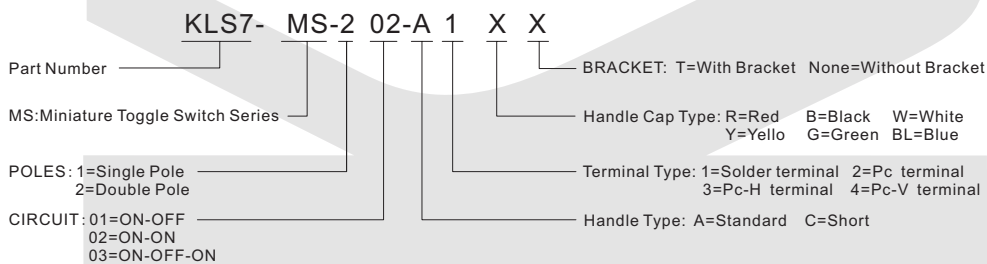
- Rating: 5A 125VAC; 2A 250VAC
- Contact Resistance: 20MΩ max
- Insulation Resistance: 500V DC 1000MΩ Min
- Dielectric Strength: 1500V AC 1 Minute
- Operating Temperature: -55°C~+85°C
- Electrical Life :20,000 cycles



VII



ORDER INFORMATION



Switch

Toggle Switch Series

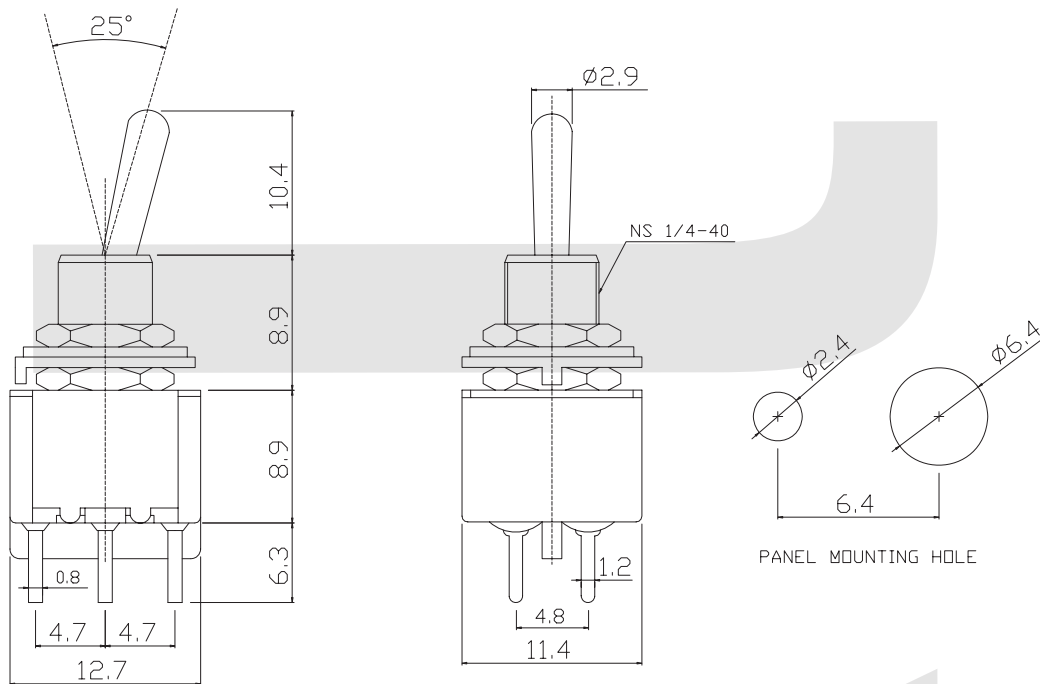
KLS7-MS-202-A2 Miniature Toggle Switch Series

SPECIFICATIONS

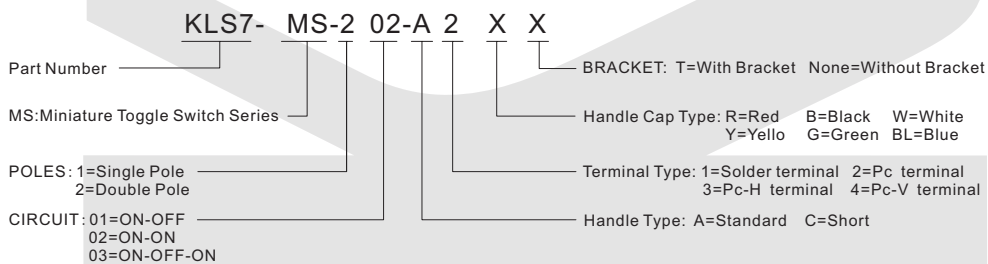
- Rating: 5A 125VAC; 2A 250VAC
- Contact Resistance: 20MΩ max
- Insulation Resistance: 500V DC 1000MΩ Min
- Dielectric Strength: 1500V AC 1 Minute
- Operating Temperature: -55°C~+85°C
- Electrical Life :20,000 cycles



VII



ORDER INFORMATION



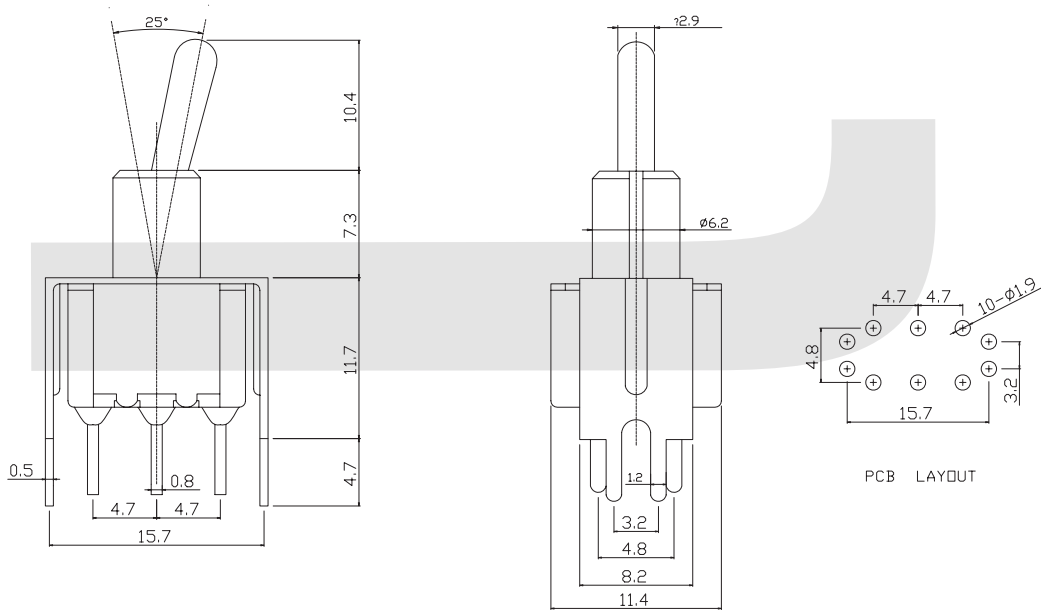
Toggle Switch Series

KLS7-MS-202-A2T Miniature Toggle Switch Series

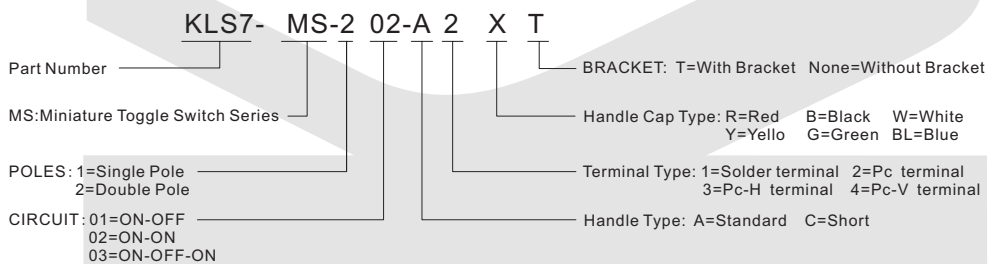
SPECIFICATIONS

- Rating: 5A 125VAC; 2A 250VAC
- Contact Resistance: 20MΩ max
- Insulation Resistance: 500V DC 1000MΩ Min
- Dielectric Strength: 1500V AC 1 Minute
- Operating Temperature: -55°C~+85°C
- Electrical Life :20,000 cycles

VII



ORDER INFORMATION



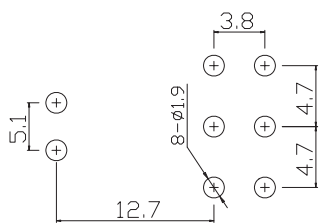
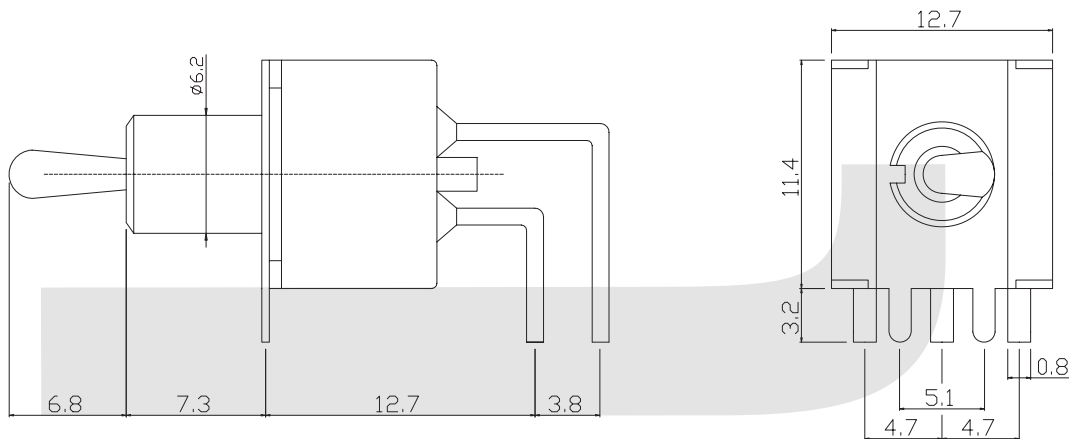
Switch

Toggle Switch Series

KLS7-MS-202-C3 Miniature Toggle Switch Series

SPECIFICATIONS

- Rating: 5A 125VAC; 2A 250VAC
- Contact Resistance: 20MΩ max
- Insulation Resistance: 500V DC 1000MΩ Min
- Dielectric Strength: 1500V AC 1 Minute
- Operating Temperature: -55°C~+85°C
- Electrical Life :20,000 cycles



PCB LAYOUT

ORDER INFORMATION

Part Number	KLS7- MS-2 02-C 3 X X	BRACKET: T=With Bracket None=Without Bracket
MS:Miniature Toggle Switch Series		Handle Cap Type: R=Red B=Black W=White Y=Yello G=Green BL=Blue
POLES: 1=Single Pole 2=Double Pole		Terminal Type: 1=Solder terminal 2=Pc terminal 3=Pc-H terminal 4=Pc-V terminal
CIRCUIT: 01=ON-OFF 02=ON-ON 03=ON-OFF-ON		Handle Type: A=Standard C=Short

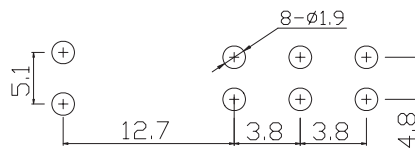
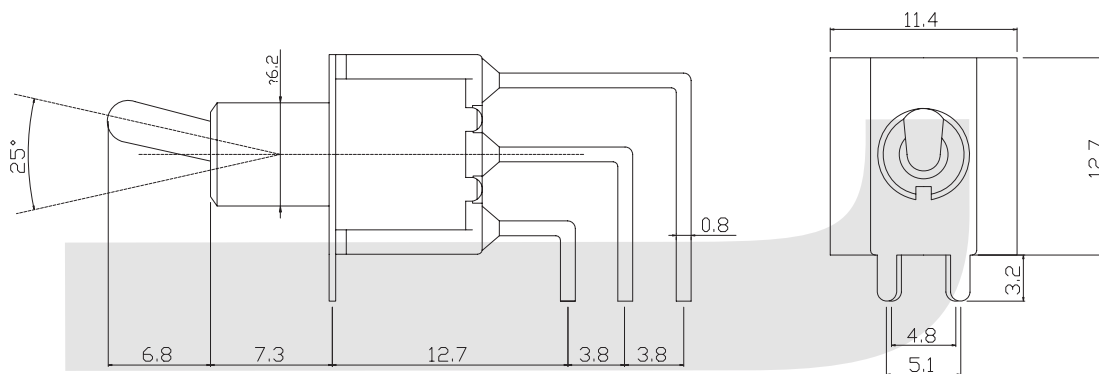
Switch

Toggle Switch Series

KLS7-MS-202-C4 Miniature Toggle Switch Series

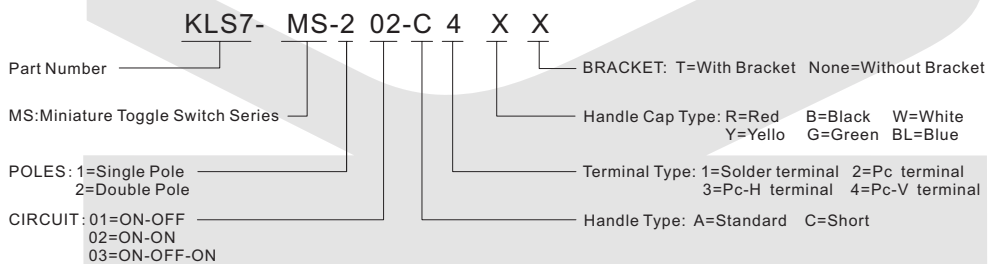
SPECIFICATIONS

- Rating: 5A 125VAC; 2A 250VAC
- Contact Resistance: 20MΩ max
- Insulation Resistance: 500V DC 1000MΩ Min
- Dielectric Strength: 1500V AC 1 Minute
- Operating Temperature: -55°C~+85°C
- Electrical Life :20,000 cycles



PCB LAYOUT

ORDER INFORMATION



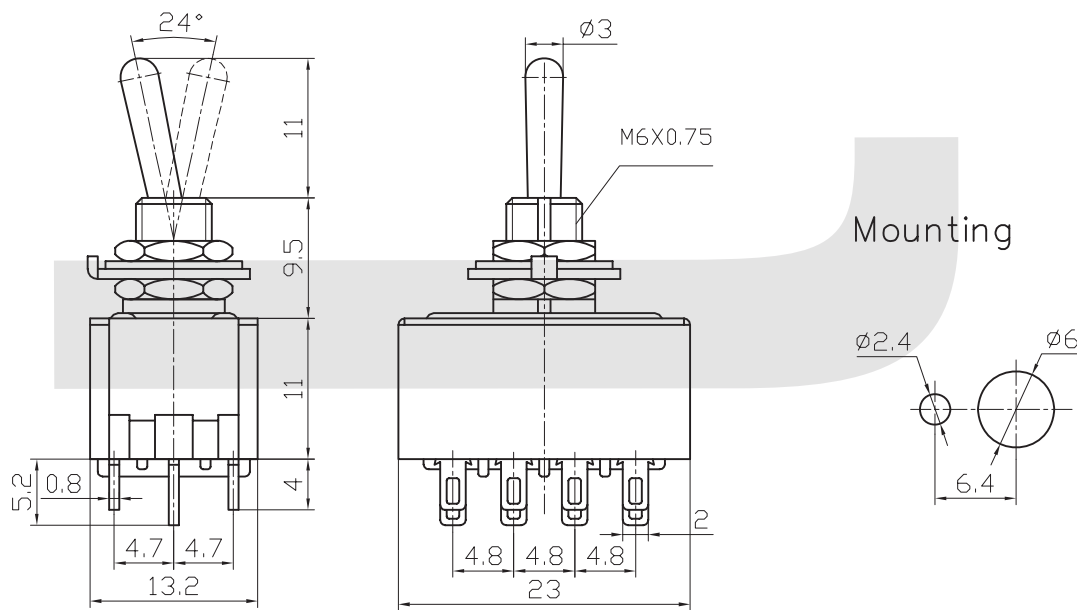
Switch

Toggle Switch Series

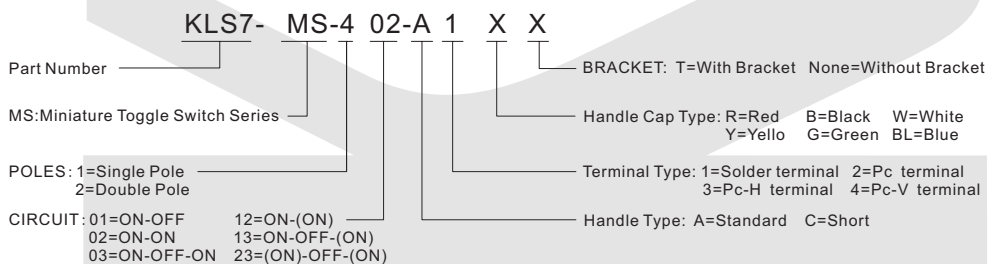
KLS7-MS-402-A1 Miniature Toggle Switch Series

SPECIFICATIONS

- Rating: 5A 125VAC; 2A 250VAC
- Contact Resistance: 20MΩ max
- Insulation Resistance: 500V DC 1000MΩ Min
- Dielectric Strength: 1500V AC 1 Minute
- Operating Temperature: -55°C~+85°C
- Electrical Life :20,000 cycles



ORDER INFORMATION



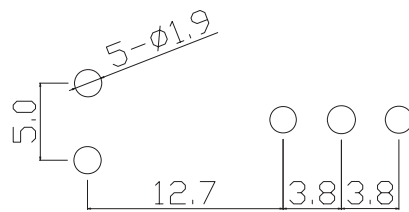
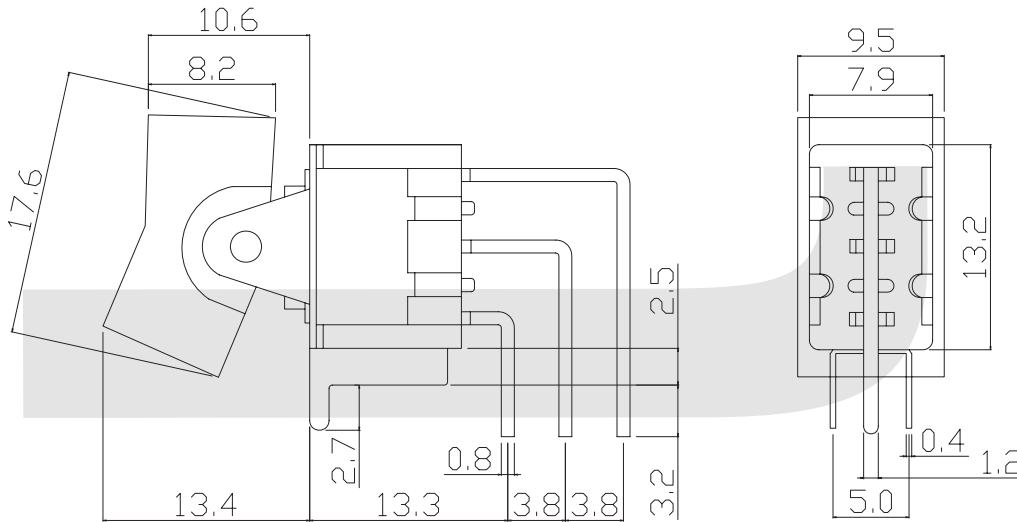
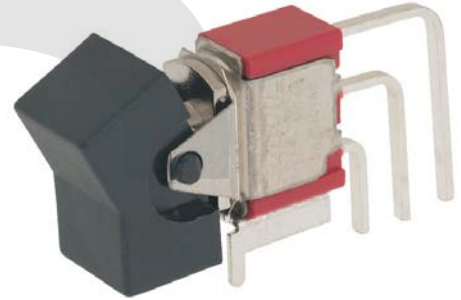
Switch

Toggle Switch Series

KLS7-RLS-102-A4 Miniature Rocker Switch Series

SPECIFICATIONS

Rating: 5A 125VAC; 2A 250VAC
 Contact Resistance: 20mΩ max
 Insulation Resistance: 500V DC 1000MΩ Min
 Dielectric Strength: 1500V AC 1 Minute
 Operating Temperature: -55°C~+85°C
 Electrical Life :20,000 cycles



PCB LAYOUT

ORDER INFORMATION

KLS7-RLS-1 02-A 4 T

RLS: Miniature Rocker Switch Series
 POLES: 1=Single Pole 2=Double Pole
 CIRCUIT: 01=ON-OFF 02=ON-ON 03=ON-OFF-ON

BRACKET: T=With Bracket None=Without Bracket
 Terminal Type: 1=Solder terminal 2=PC terminal 3=PC-H terminal 4=PC-V terminal
 Rocker options: A=Standard

Switch

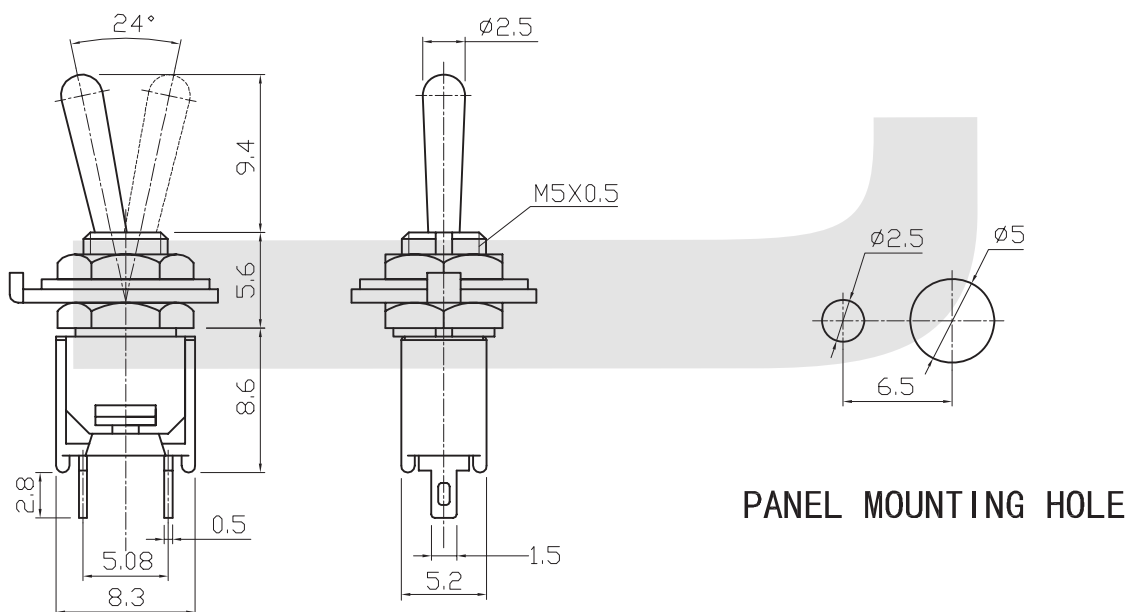
Toggle Switch Series

KLS7-SMS-101-2A1 Toggle Switch Series

SPECIFICATIONS

- Rating: 3A 125VAC; 1A 250VAC
- Contact Resistance: 20MΩ max
- Insulation Resistance: 500V DC 1000MΩ Min
- Dielectric Strength: 1000V AC 1 Minute
- Operating Temperature: -25°C~+65°C
- Electrical Life :20,000 cycles

VII



PANEL MOUNTING HOLE

ORDER INFORMATION

