

# Switch

## DIP Switch Series

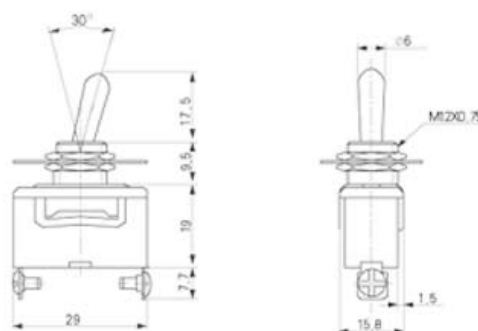
### KLS7-YTS (Medium type)

#### SPECIFICATIONS

Contact Rating: 5A 125V AC / 2A 250V AC  
 Electrical Life: 30000 Cycles  
 Contact resistance: 10MΩ max.  
 Insulation resistance: 1000MΩ min  
 Dielectric Strength: 1500V RMS@ Sea Level  
 Operating Temperature: -45°C to +85°C  
 Standard: UL VDE CE CQC ROHS



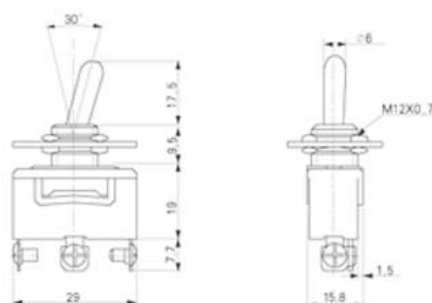
**KLS7-YTS-1301 ON-OFF:**  
 6A 250V AC 10A 125V AC



**KLS7-YTS-1301A ON-OFF:**  
 10A 250V AC 20A 125V AC



**KLS7-YTS-1302 ON-ON:**  
 6A 250V AC 10A 125V AC  
**KLS7-YTS-1303 ON-OFF-ON:**  
 6A 250V AC 10A 125V AC



**KLS7-YTS-1302A ON-ON:**  
 10A 250V AC 20A 125V AC  
**KLS7-YTS-1303A ON-OFF-ON:**  
 10A 250V AC 20A 125V AC

## ORDER INFORMATION