

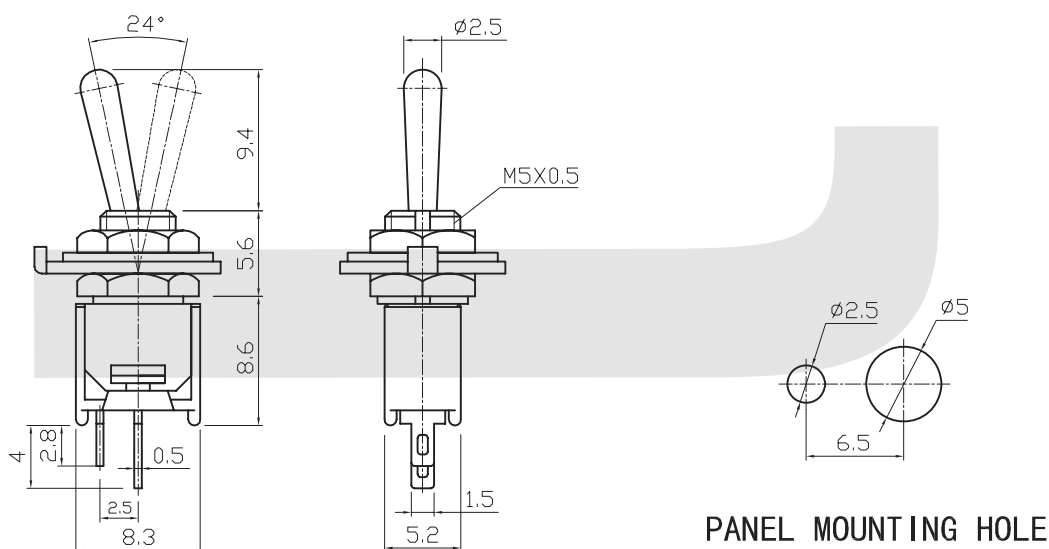
Switch

Toggle Switch Series

KLS7-SMS-101-A1 Toggle Switch Series

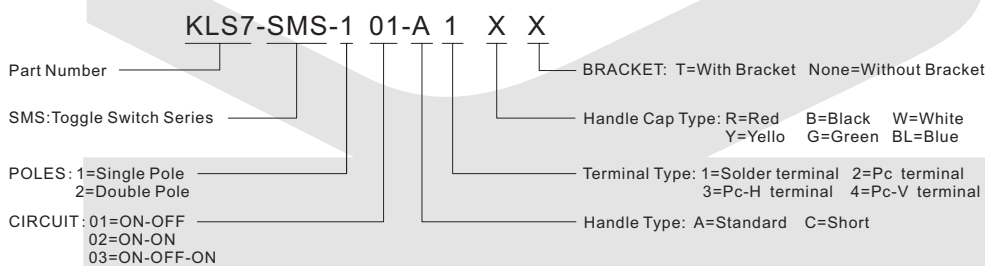
SPECIFICATIONS

- Rating: 3A 125VAC; 1A 250VAC
- Contact Resistance: 20MΩ max
- Insulation Resistance: 500V DC 1000MΩ Min
- Dielectric Strength: 1000V AC 1 Minute
- Operating Temperature: -25°C~+65°C
- Electrical Life :20,000 cycles



PANEL MOUNTING HOLE

ORDER INFORMATION



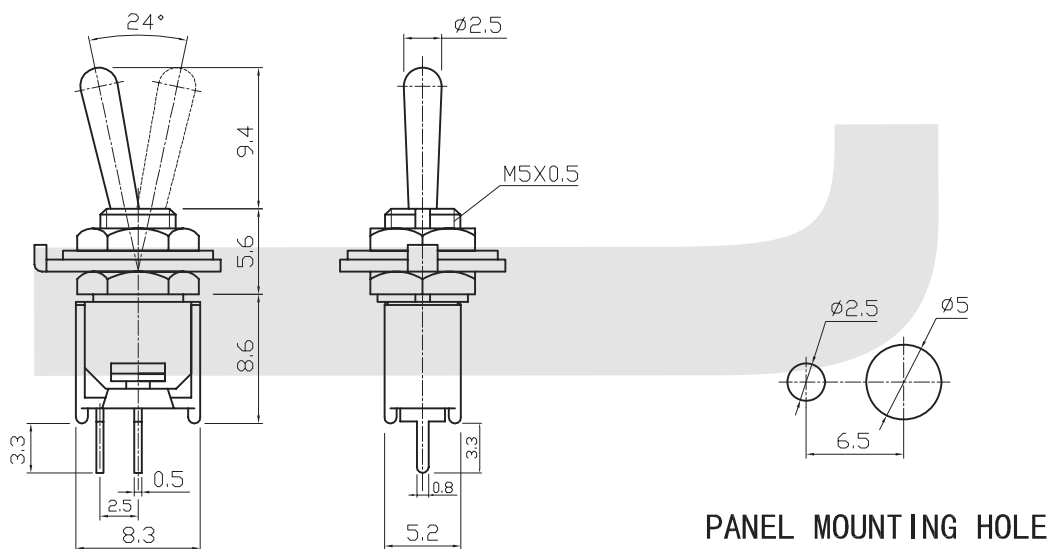
Switch

Toggle Switch Series

KLS7-SMS-101-A2 Toggle Switch Series

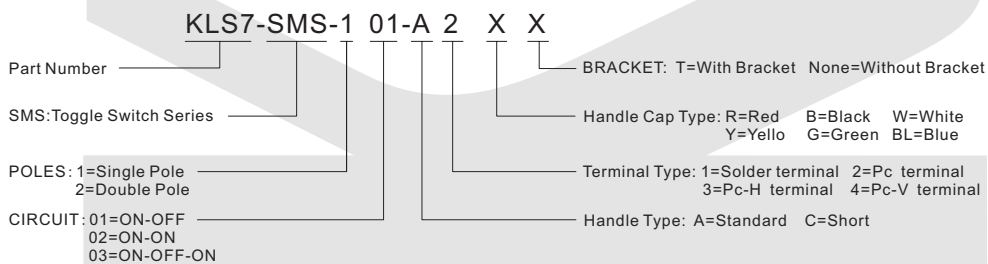
SPECIFICATIONS

- Rating: 3A 125VAC; 1A 250VAC
- Contact Resistance: 20MΩ max
- Insulation Resistance: 500V DC 1000MΩ Min
- Dielectric Strength: 1000V AC 1 Minute
- Operating Temperature: -25°C~+65°C
- Electrical Life :20,000 cycles



PANEL MOUNTING HOLE

ORDER INFORMATION



Switch

Toggle Switch Series

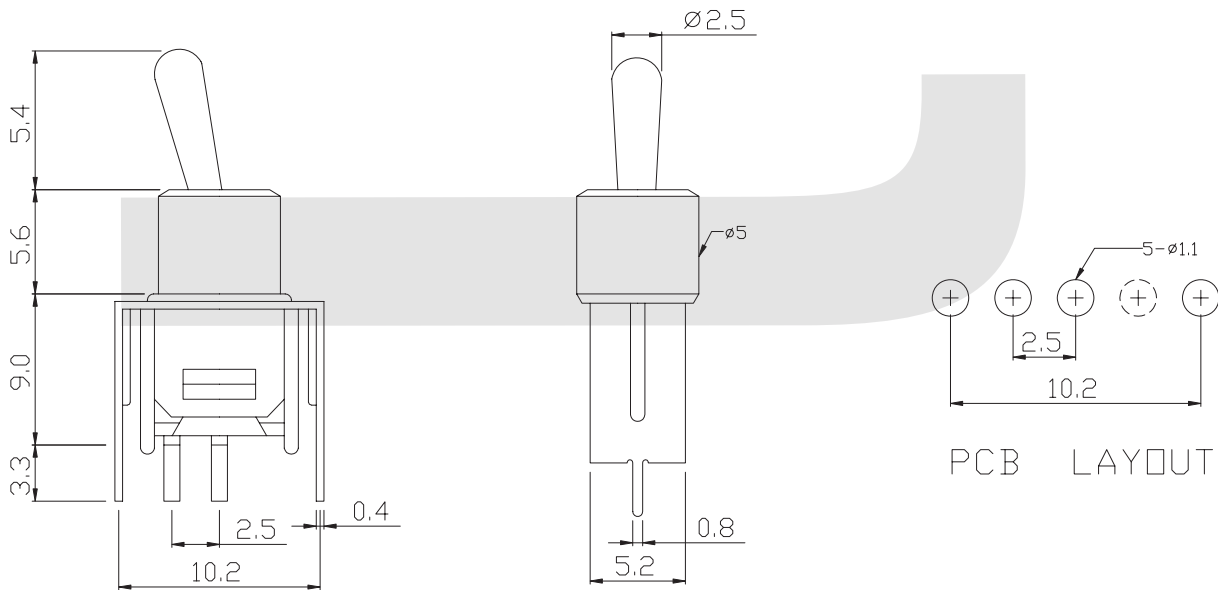
KLS7-SMS-101-A2T Toggle Switch Series

SPECIFICATIONS

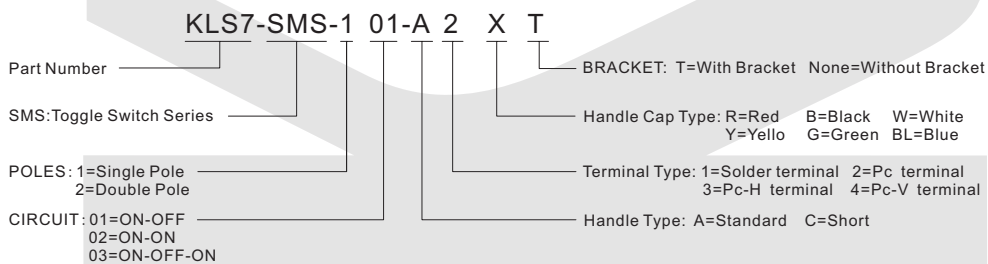
- Rating: 3A 125VAC; 1A 250VAC
- Contact Resistance: 20MΩ max
- Insulation Resistance: 500V DC 1000MΩ Min
- Dielectric Strength: 1000V AC 1 Minute
- Operating Temperature: -25°C~+65°C
- Electrical Life :20,000 cycles



VII



ORDER INFORMATION



Switch

Toggle Switch Series

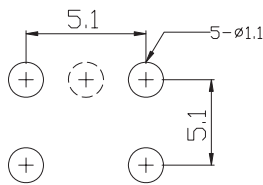
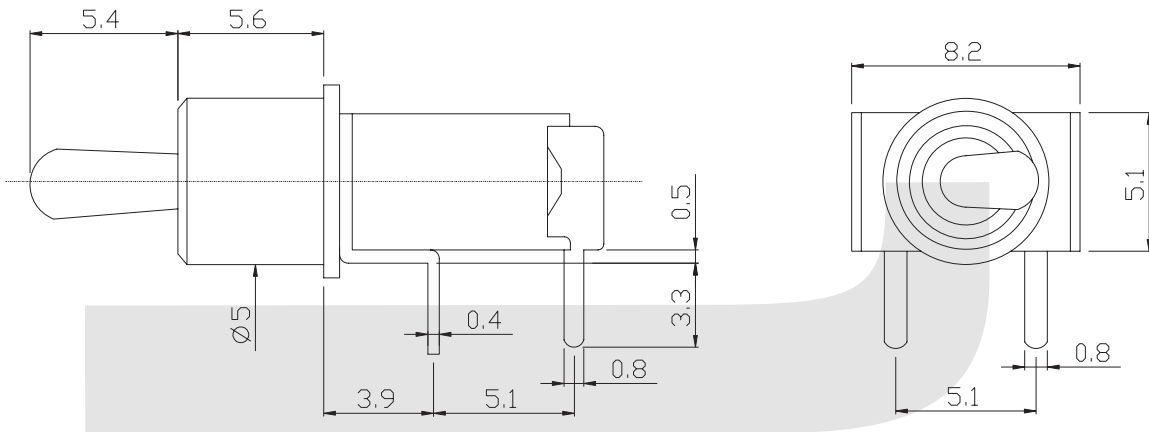
KLS7-SMS-101-C3 Toggle Switch Series

SPECIFICATIONS

- Rating: 3A 125VAC; 1A 250VAC
- Contact Resistance: 20MΩ max
- Insulation Resistance: 500V DC 1000MΩ Min
- Dielectric Strength: 1000V AC 1 Minute
- Operating Temperature: -25°C~+65°C
- Electrical Life :20,000 cycles

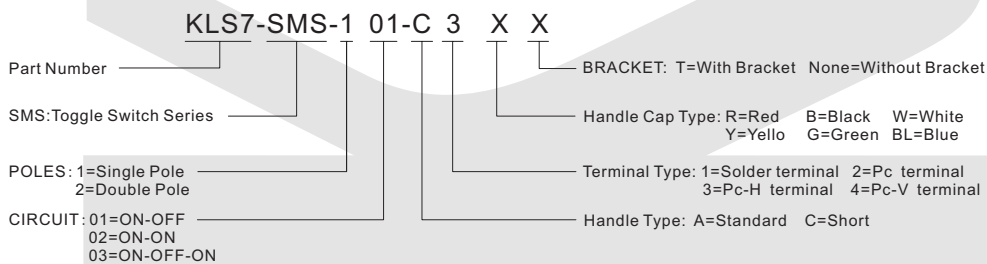


VII



PCB LAYOUT

ORDER INFORMATION



Switch

Toggle Switch Series

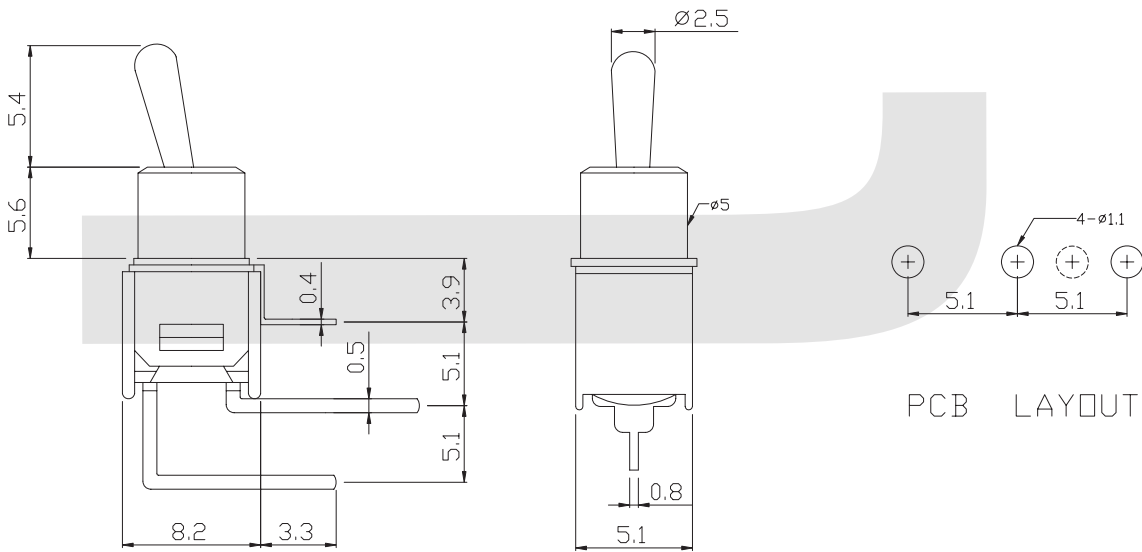
KLS7-SMS-101-C4 Toggle Switch Series

SPECIFICATIONS

- Rating: 3A 125VAC; 1A 250VAC
- Contact Resistance: 20MΩ max
- Insulation Resistance: 500V DC 1000MΩ Min
- Dielectric Strength: 1000V AC 1 Minute
- Operating Temperature: -25°C~+65°C
- Electrical Life :20,000 cycles

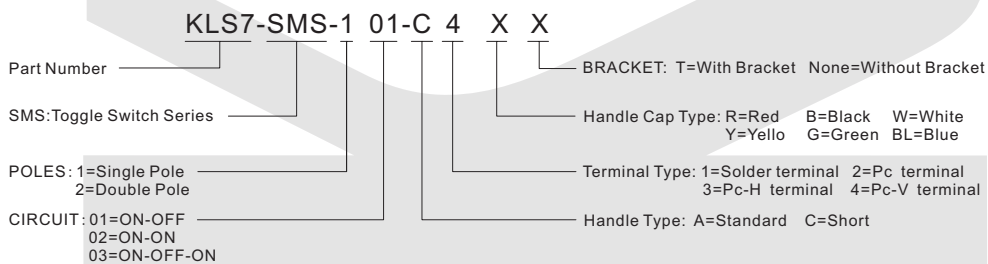


VII



PCB LAYOUT

ORDER INFORMATION



Switch

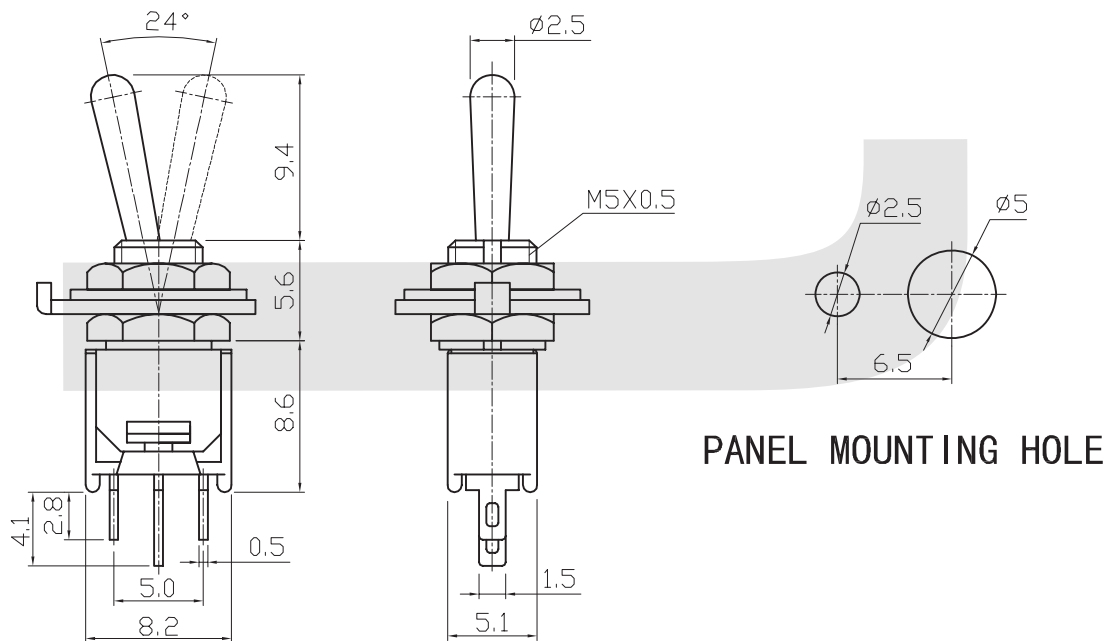
Toggle Switch Series

KLS7-SMS-102-A1 Toggle Switch Series

SPECIFICATIONS

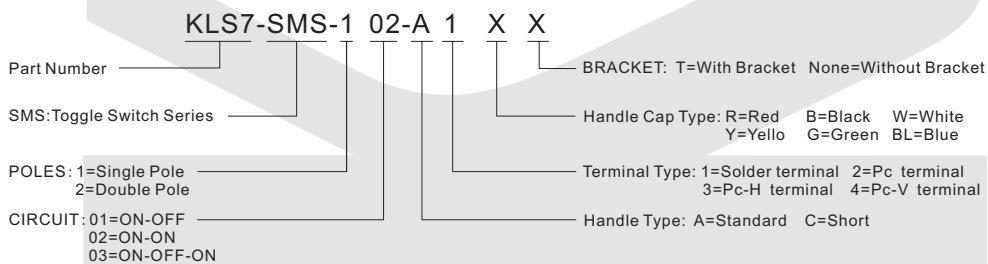
Rating: 3A 125VAC; 1A 250VAC
 Contact Resistance: 20MΩ max
 Insulation Resistance: 500V DC 1000MΩ Min
 Dielectric Strength: 1000V AC 1 Minute
 Operating Temperature: -25°C~+65°C
 Electrical Life :20,000 cycles

VII



PANEL MOUNTING HOLE

ORDER INFORMATION



Switch

Toggle Switch Series

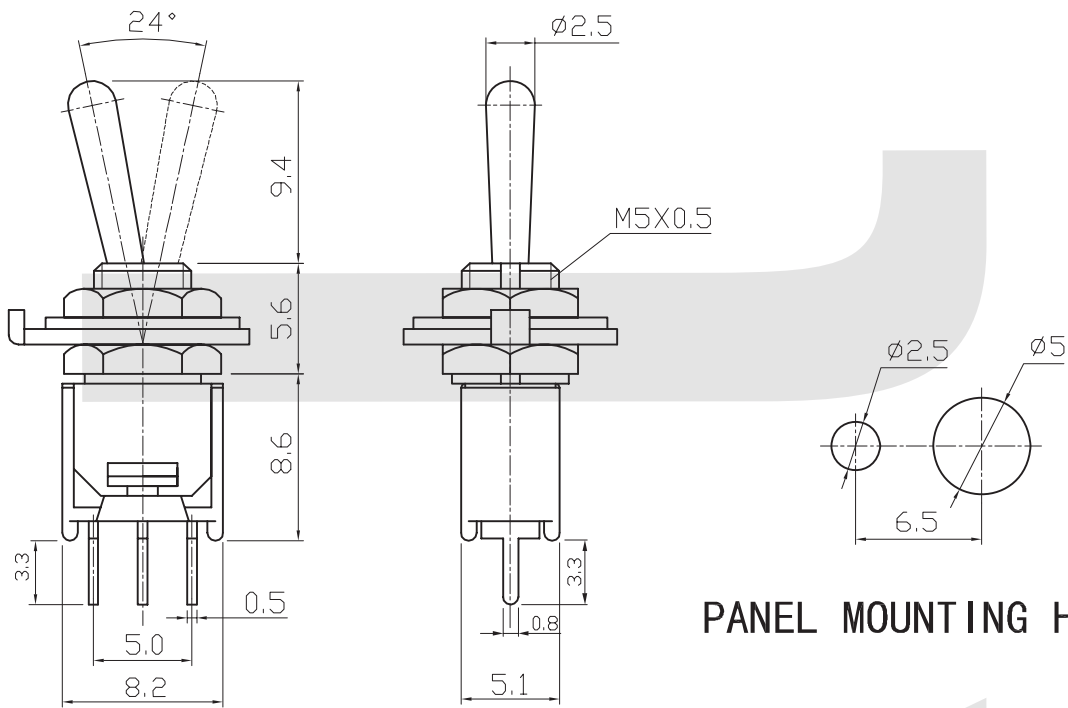
KLS7-SMS-102-A2 Toggle Switch Series

SPECIFICATIONS

- Rating: 3A 125VAC; 1A 250VAC
- Contact Resistance: 20MΩ max
- Insulation Resistance: 500V DC 1000MΩ Min
- Dielectric Strength: 1000V AC 1 Minute
- Operating Temperature: -25°C~+65°C
- Electrical Life :20,000 cycles

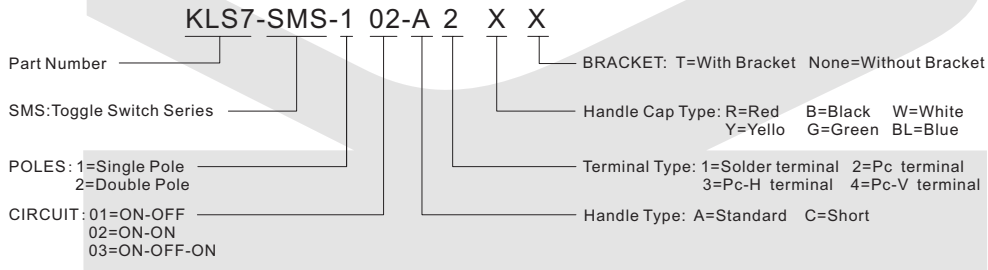


VII



PANEL MOUNTING HOLE

ORDER INFORMATION



All specification & dimensions are subject to change, please call your nearest KLS sales representative for update information

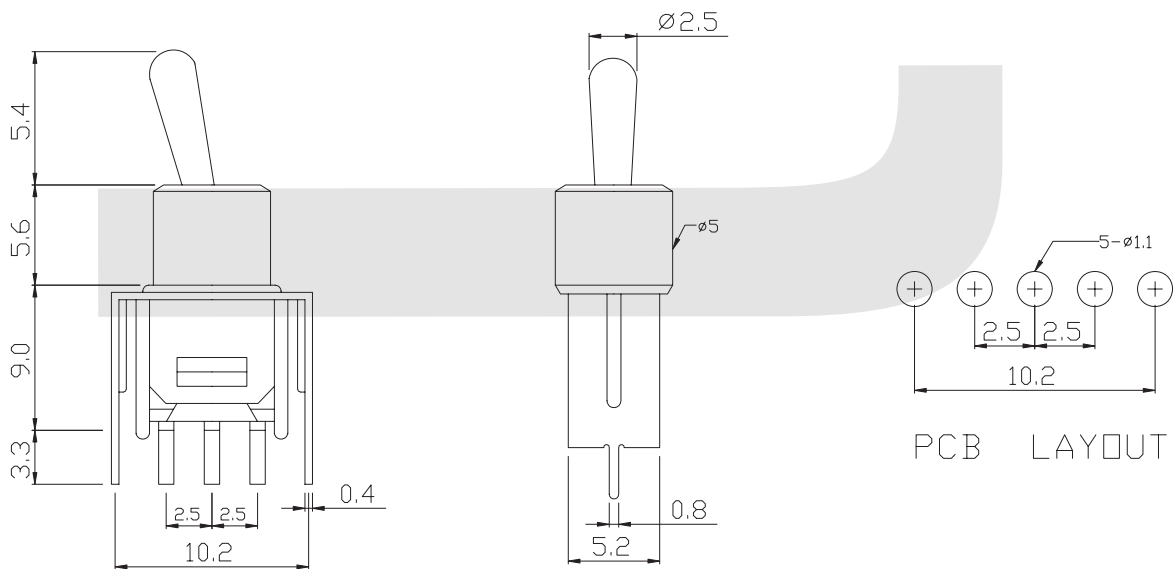
Switch

Toggle Switch Series

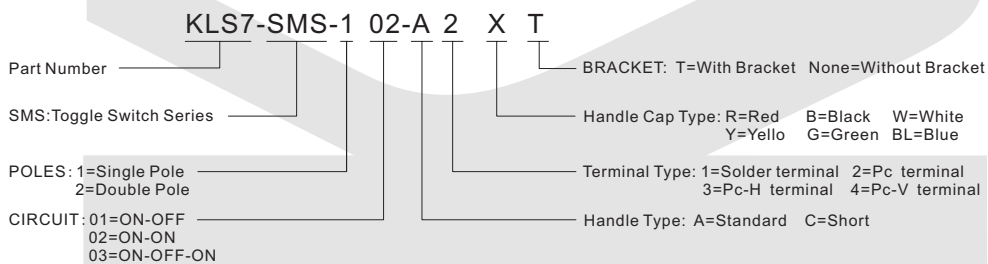
KLS7-SMS-102-A2T Toggle Switch Series

SPECIFICATIONS

- Rating: 3A 125VAC; 1A 250VAC
- Contact Resistance: 20MΩ max
- Insulation Resistance: 500V DC 1000MΩ Min
- Dielectric Strength: 1000V AC 1 Minute
- Operating Temperature: -25°C~+65°C
- Electrical Life :20,000 cycles



ORDER INFORMATION



Switch

Toggle Switch Series

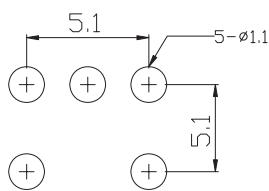
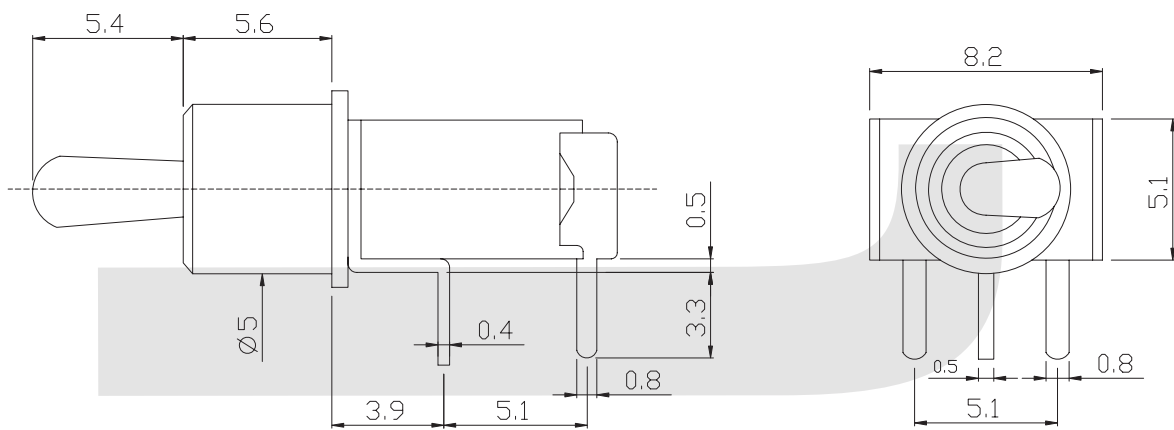
KLS7-SMS-102-C3 Toggle Switch Series

SPECIFICATIONS

- Rating: 3A 125VAC; 1A 250VAC
- Contact Resistance: 20MΩ max
- Insulation Resistance: 500V DC 1000MΩ Min
- Dielectric Strength: 1000V AC 1 Minute
- Operating Temperature: -25°C~+65°C
- Electrical Life :20,000 cycles

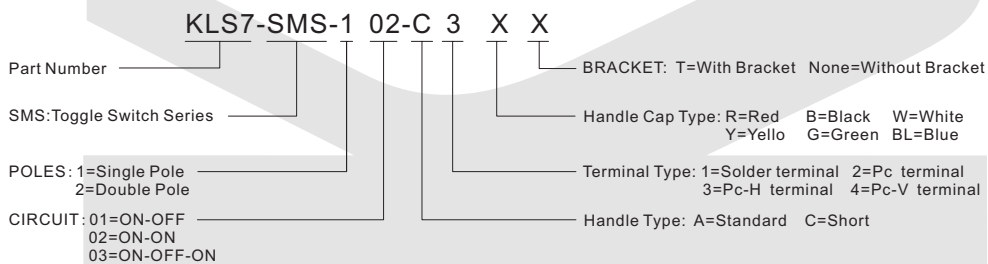


VII



PCB LAYOUT

ORDER INFORMATION



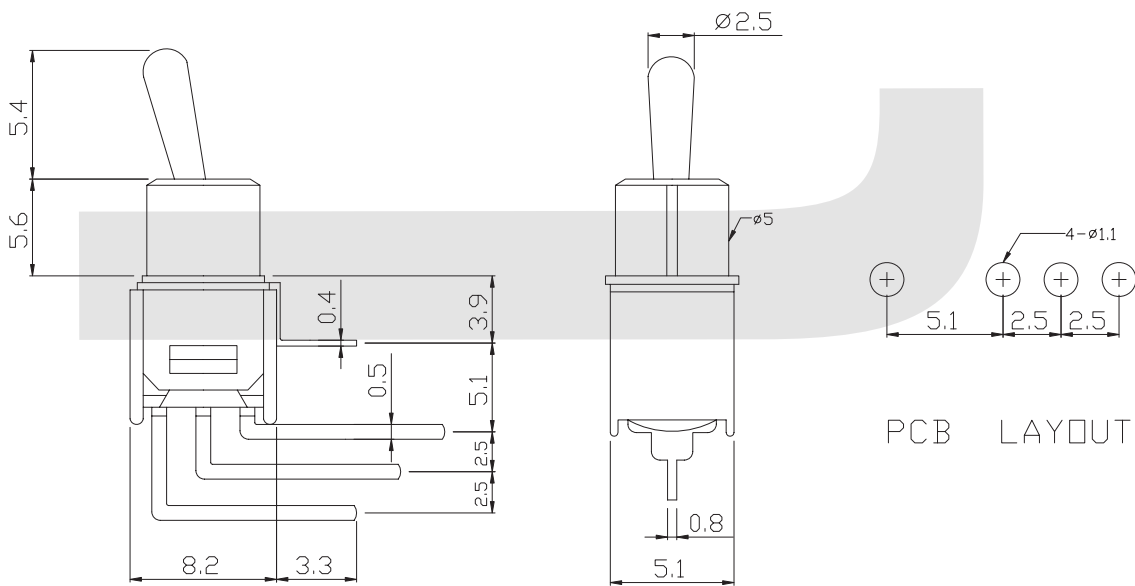
Switch

Toggle Switch Series

KLS7-SMS-102-C4 Toggle Switch Series

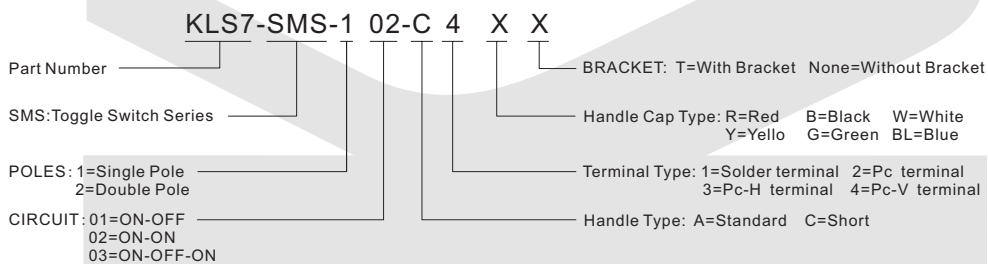
SPECIFICATIONS

Rating: 3A 125VAC; 1A 250VAC
 Contact Resistance: 20MΩ max
 Insulation Resistance: 500V DC 1000MΩ Min
 Dielectric Strength: 1000V AC 1 Minute
 Operating Temperature: -25°C~+65°C
 Electrical Life :20,000 cycles



PCB LAYOUT

ORDER INFORMATION



Switch

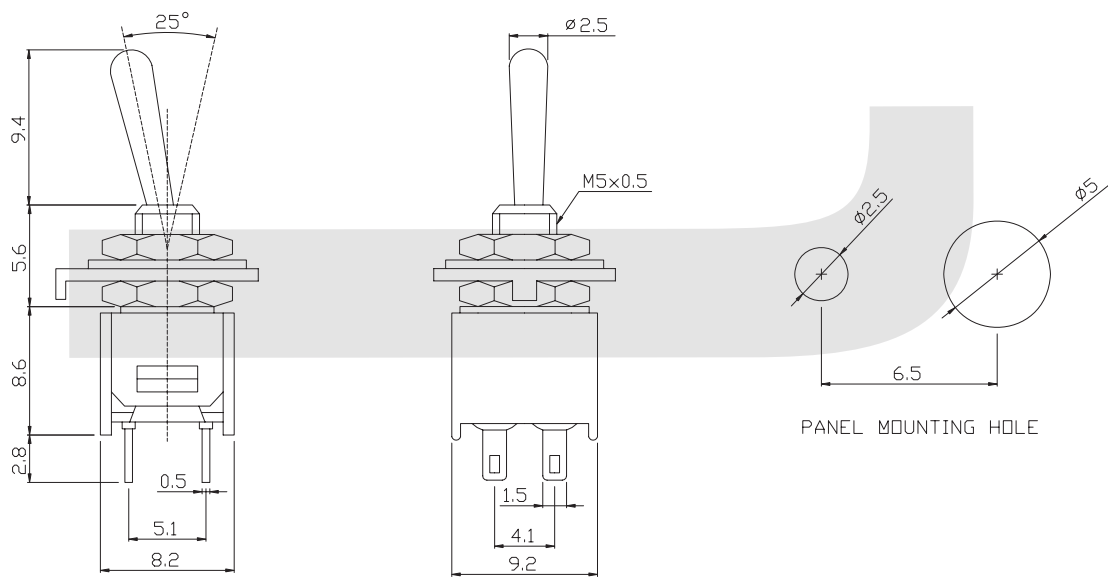
Toggle Switch Series

KLS7-SMS-201-2A1 Toggle Switch Series

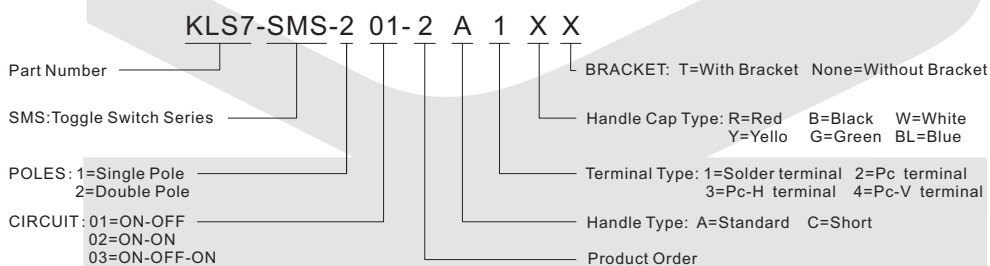
SPECIFICATIONS

Rating: 3A 125VAC; 1A 250VAC
 Contact Resistance: 20MΩ max
 Insulation Resistance: 500V DC 1000MΩ Min
 Dielectric Strength: 1000V AC 1 Minute
 Operating Temperature: -25°C~+65°C
 Electrical Life :20,000 cycles

VII



ORDER INFORMATION



Switch

Toggle Switch Series

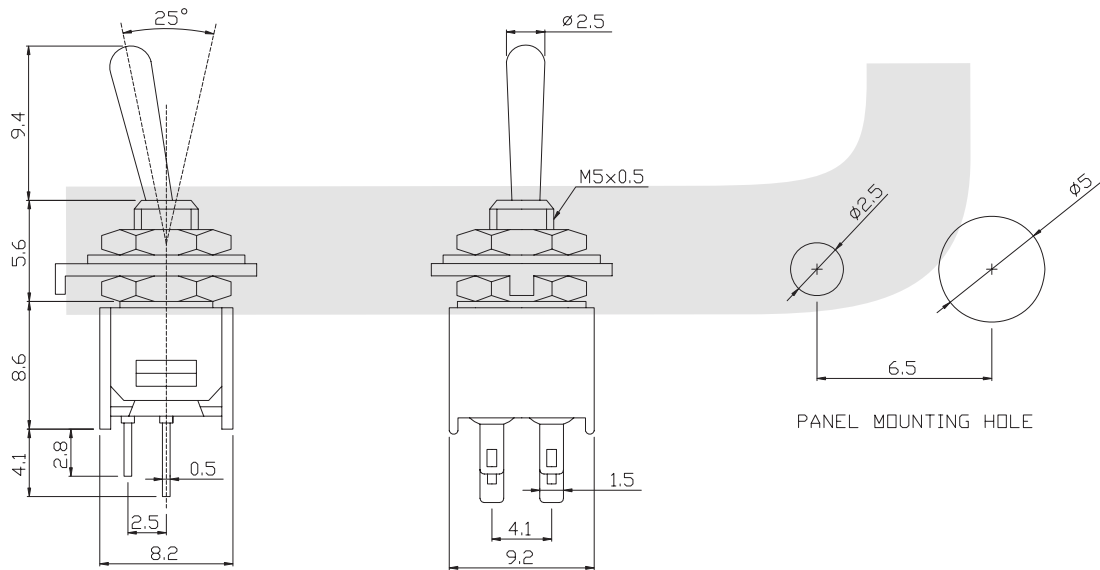
KLS7-SMS-201-A1 Toggle Switch Series

SPECIFICATIONS

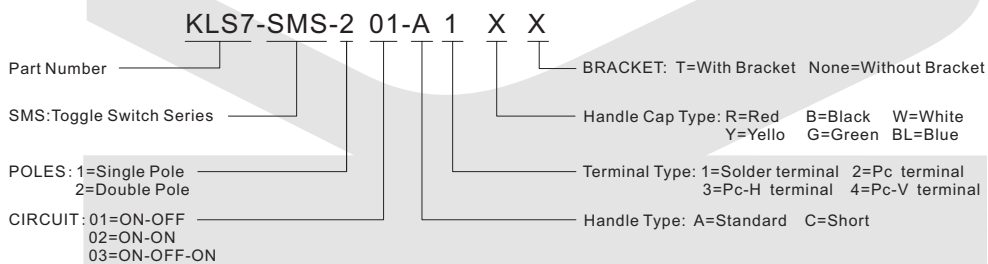
- Rating: 3A 125VAC; 1A 250VAC
- Contact Resistance: 20MΩ max
- Insulation Resistance: 500V DC 1000MΩ Min
- Dielectric Strength: 1000V AC 1 Minute
- Operating Temperature: -25°C~+65°C
- Electrical Life :20,000 cycles



VII



ORDER INFORMATION



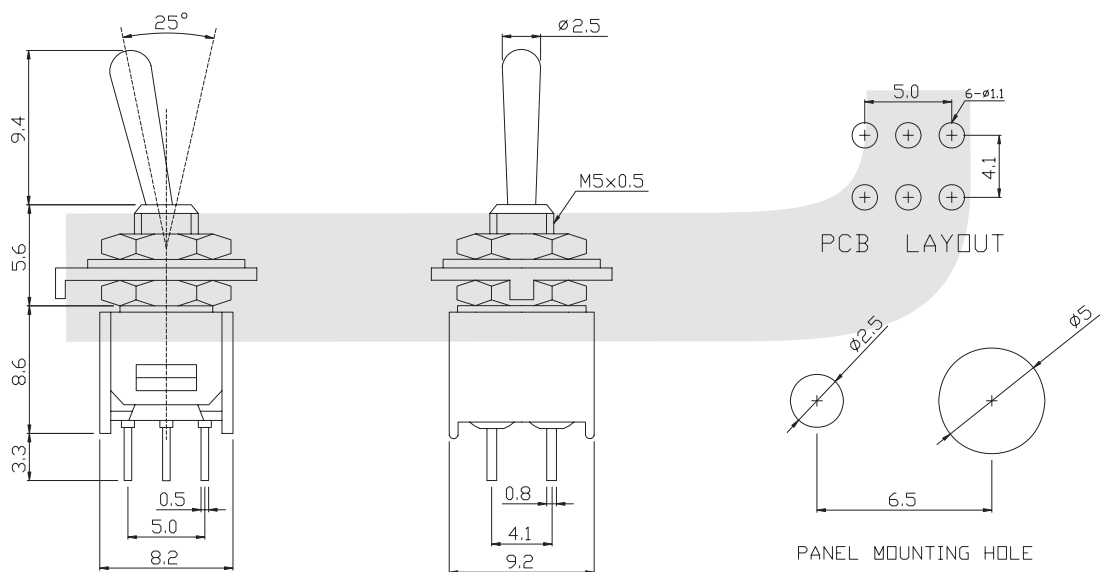
Switch

Toggle Switch Series

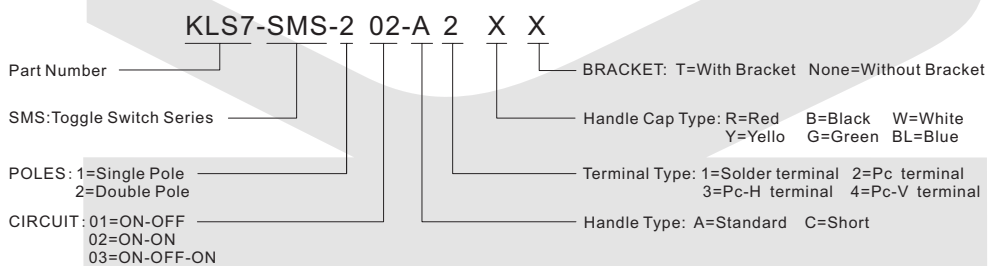
KLS7-SMS-202-A2 Toggle Switch Series

SPECIFICATIONS

Rating: 3A 125VAC; 1A 250VAC
 Contact Resistance: 20MΩ max
 Insulation Resistance: 500V DC 1000MΩ Min
 Dielectric Strength: 1000V AC 1 Minute
 Operating Temperature: -25°C~+65°C
 Electrical Life :20,000 cycles



ORDER INFORMATION



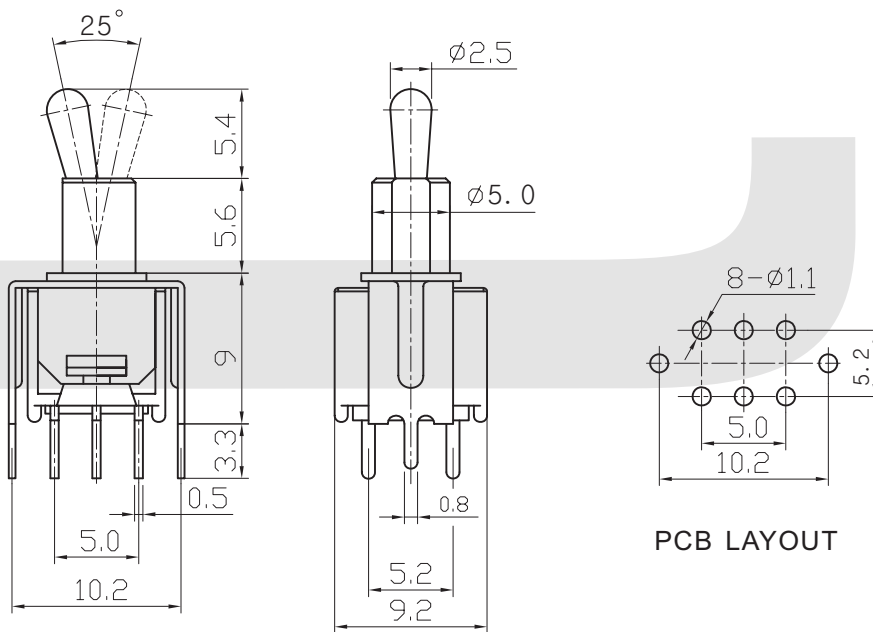
Switch

Toggle Switch Series

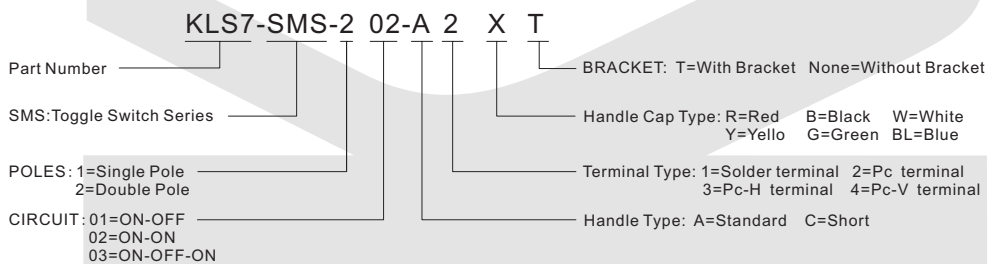
KLS7-SMS-202-A2T Toggle Switch Series

SPECIFICATIONS

- Rating: 3A 125VAC; 1A 250VAC
- Contact Resistance: 20MΩ max
- Insulation Resistance: 500V DC 1000MΩ Min
- Dielectric Strength: 1000V AC 1 Minute
- Operating Temperature: -25°C~+65°C
- Electrical Life :20,000 cycles



ORDER INFORMATION



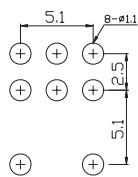
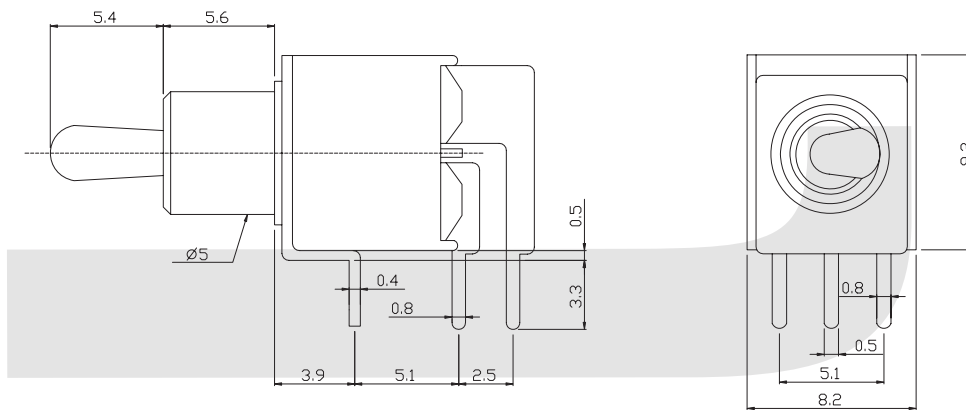
Switch

Toggle Switch Series

KLS7-SMS-202-C3 Toggle Switch Series

SPECIFICATIONS

- Rating: 3A 125VAC; 1A 250VAC
- Contact Resistance: 20MΩ max
- Insulation Resistance: 500V DC 1000MΩ Min
- Dielectric Strength: 1000V AC 1 Minute
- Operating Temperature: -25°C~+65°C
- Electrical Life :20,000 cycles



PCB LAYOUT

ORDER INFORMATION

KLS7-SMS-2 02-C 3 X X

Part Number	BRACKET: T=With Bracket None=Without Bracket
SMS:Toggle Switch Series	Handle Cap Type: R=Red B=Black W=White Y=Yellow G=Green BL=Blue
POLES: 1=Single Pole 2=Double Pole	Terminal Type: 1=Solder terminal 2=Pc terminal 3=Pc-H terminal 4=Pc-V terminal
CIRCUIT: 01=ON-OFF 02=ON-ON 03=ON-OFF-ON	Handle Type: A=Standard C=Short

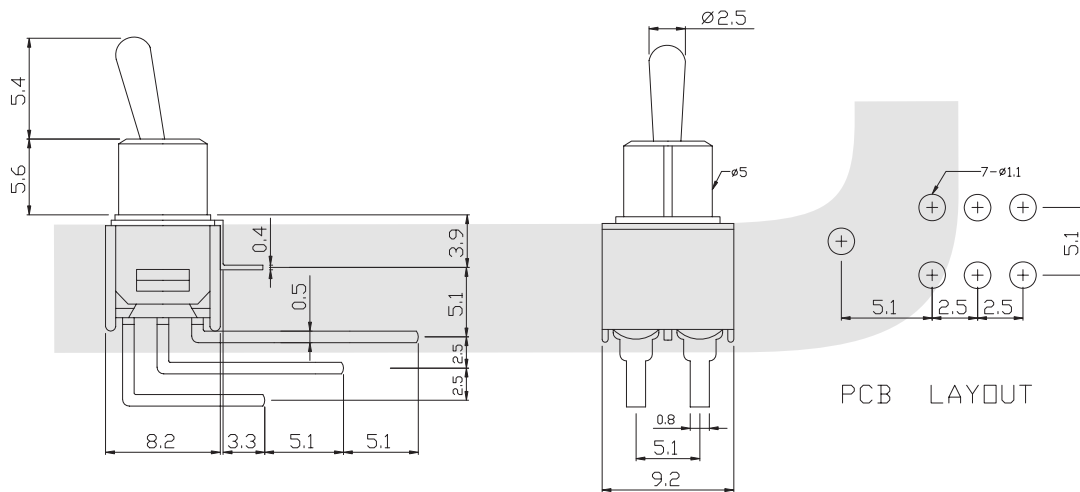
Switch

Toggle Switch Series

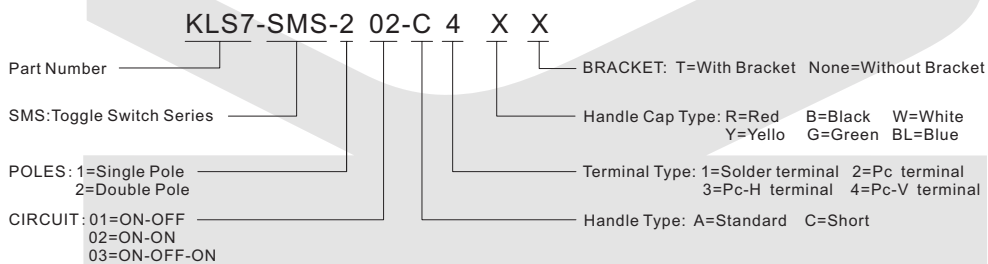
KLS7-SMS-202-C4 Toggle Switch Series

SPECIFICATIONS

- Rating: 3A 125VAC; 1A 250VAC
- Contact Resistance: 20MΩ max
- Insulation Resistance: 500V DC 1000MΩ Min
- Dielectric Strength: 1000V AC 1 Minute
- Operating Temperature: -25°C~+65°C
- Electrical Life :20,000 cycles



ORDER INFORMATION



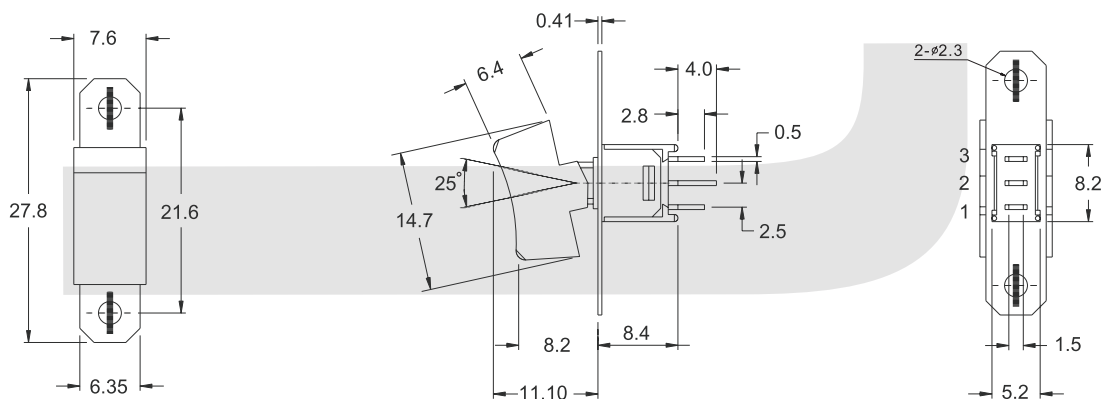
Switch

Toggle Switch Series

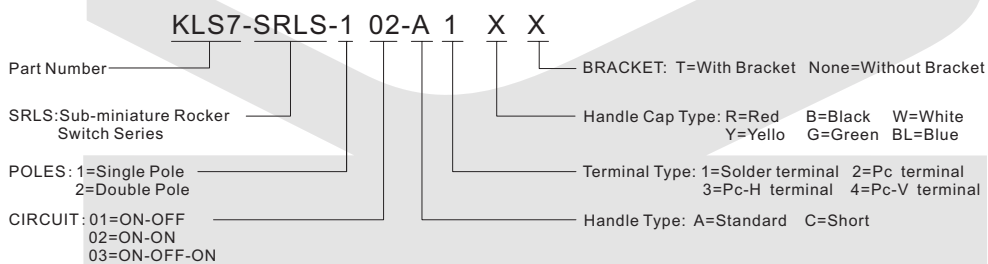
KLS7-SRLS-102-A1 Sub-miniature Rocker Switch Series

SPECIFICATIONS

Rating: 3A 125VAC; 1A 250VAC
 Contact Resistance: 20MΩ max
 Insulation Resistance: 500V DC 1000MΩ Min
 Dielectric Strength: 1000V AC 1 Minute
 Operating Temperature: -25°C~+65°C
 Electrical Life :20,000 cycles



ORDER INFORMATION



Switch

Toggle Switch Series

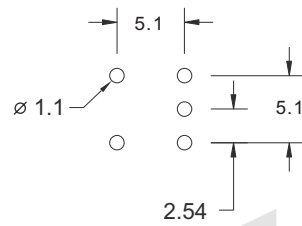
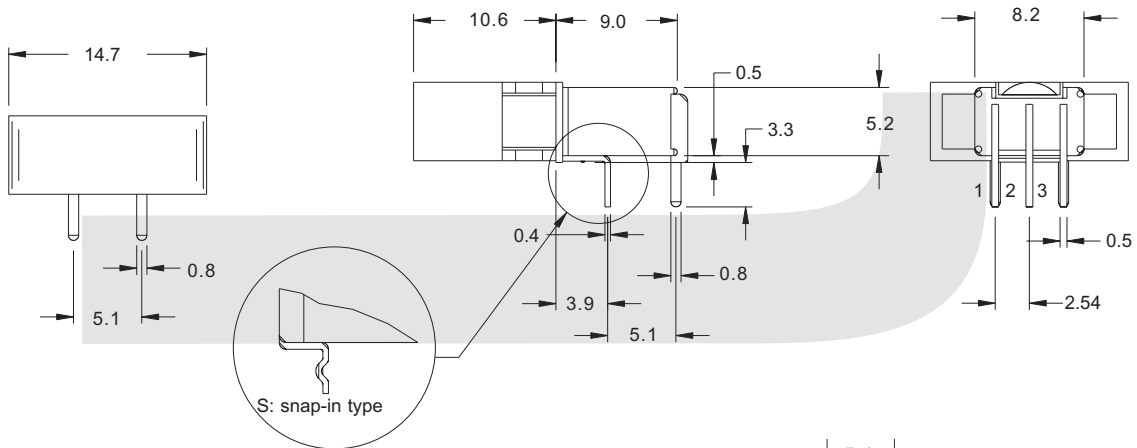
KLS7-SRLS-102-A3 Sub-miniature Rocker Switch Series

SPECIFICATIONS

- Rating: 3A 125VAC; 1A 250VAC
- Contact Resistance: 20MΩ max
- Insulation Resistance: 500V DC 1000MΩ Min
- Dielectric Strength: 1000V AC 1 Minute
- Operating Temperature: -25°C~+65°C
- Electrical Life :20,000 cycles



VII



PCB LAYOUT

ORDER INFORMATION

KLS7-SRLS-1 02-A 3 X X		
Part Number		BRACKET: T=With Bracket None=Without Bracket
SRLS:Sub-miniature Rocker Switch Series		Handle Cap Type: R=Red B=Black W=White Y=Yellow G=Green BL=Blue
POLES: 1=Single Pole 2=Double Pole		Terminal Type: 1=Solder terminal 2=Pc terminal 3=Pc-H terminal 4=Pc-V terminal
CIRCUIT: 01=ON-OFF 02=ON-ON 03=ON-OFF-ON		Handle Type: A=Standard C=Short

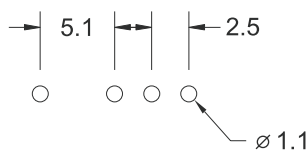
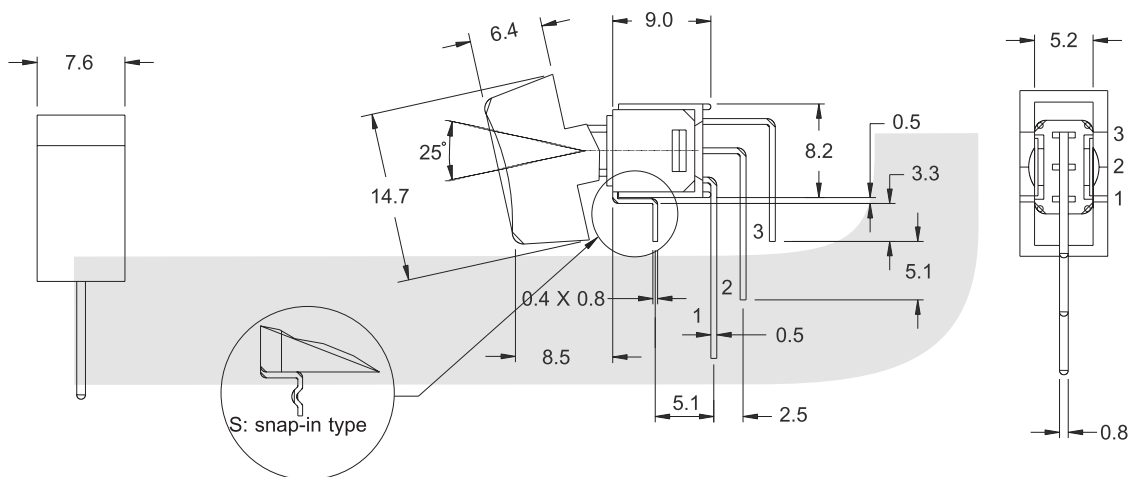
Switch

Toggle Switch Series

KLS7-SRLS-102-A4 Sub-miniature Rocker Switch Series

SPECIFICATIONS

- Rating: 3A 125VAC; 1A 250VAC
- Contact Resistance: 20MΩ max
- Insulation Resistance: 500V DC 1000MΩ Min
- Dielectric Strength: 1000V AC 1 Minute
- Operating Temperature: -25°C~+65°C
- Electrical Life :20,000 cycles



PCB LAYOUT

ORDER INFORMATION

KLS7-SRLS-1 02-A 4 X X		
Part Number		BRACKET: T=With Bracket None=Without Bracket
SRLS:Sub-miniature Rocker Switch Series		Handle Cap Type: R=Red B=Black W=White Y=Yellow G=Green BL=Blue
POLES: 1=Single Pole 2=Double Pole		Terminal Type: 1=Solder terminal 2=Pc terminal 3=Pc-H terminal 4=Pc-V terminal
CIRCUIT: 01=ON-OFF 02=ON-ON 03=ON-OFF-ON		Handle Type: A=Standard C=Short

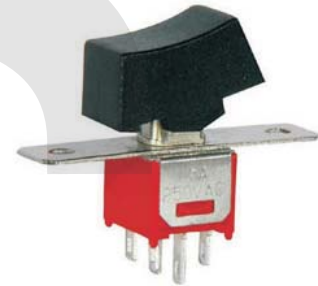
Switch

Toggle Switch Series

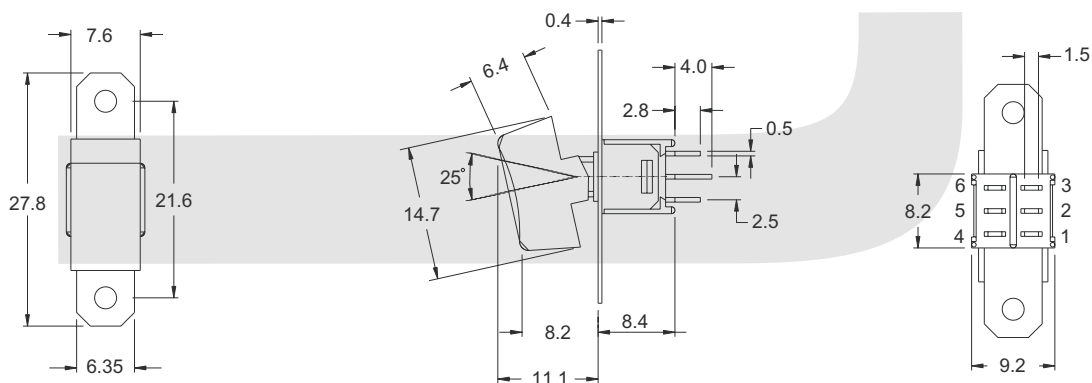
KLS7-SRLS-202-A1 Sub-miniature Rocker Switch Series

SPECIFICATIONS

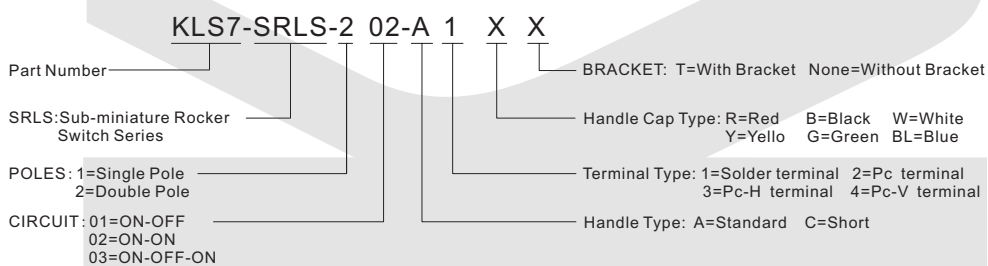
Rating: 3A 125VAC; 1A 250VAC
 Contact Resistance: 20MΩ max
 Insulation Resistance:500V DC 1000MΩ Min
 Dielectric Strength:1000V AC 1 Minute
 Operating Temperature:-25°C~+65°C
 Electrical Life :20,000 cycles



VII



ORDER INFORMATION



Switch

Toggle Switch Series

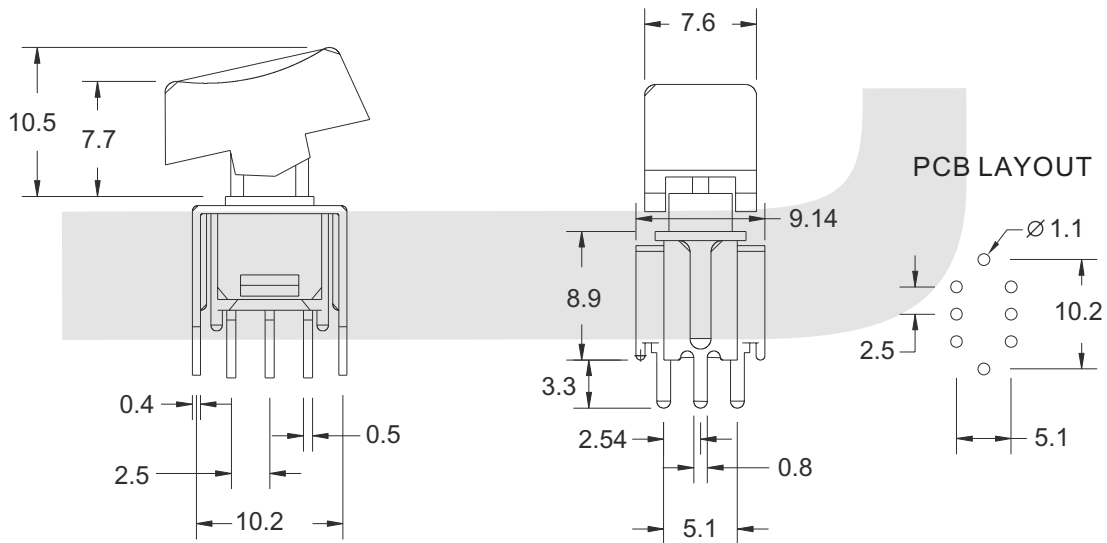
KLS7-SRLS-202-A2T Sub-miniature Rocker Switch Series

SPECIFICATIONS

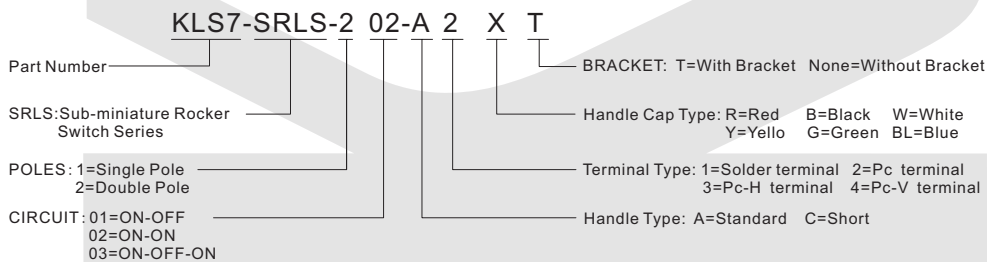
- Rating: 3A 125VAC; 1A 250VAC
- Contact Resistance: 20MΩ max
- Insulation Resistance: 500V DC 1000MΩ Min
- Dielectric Strength: 1000V AC 1 Minute
- Operating Temperature: -25°C~+65°C
- Electrical Life :20,000 cycles



VII



ORDER INFORMATION



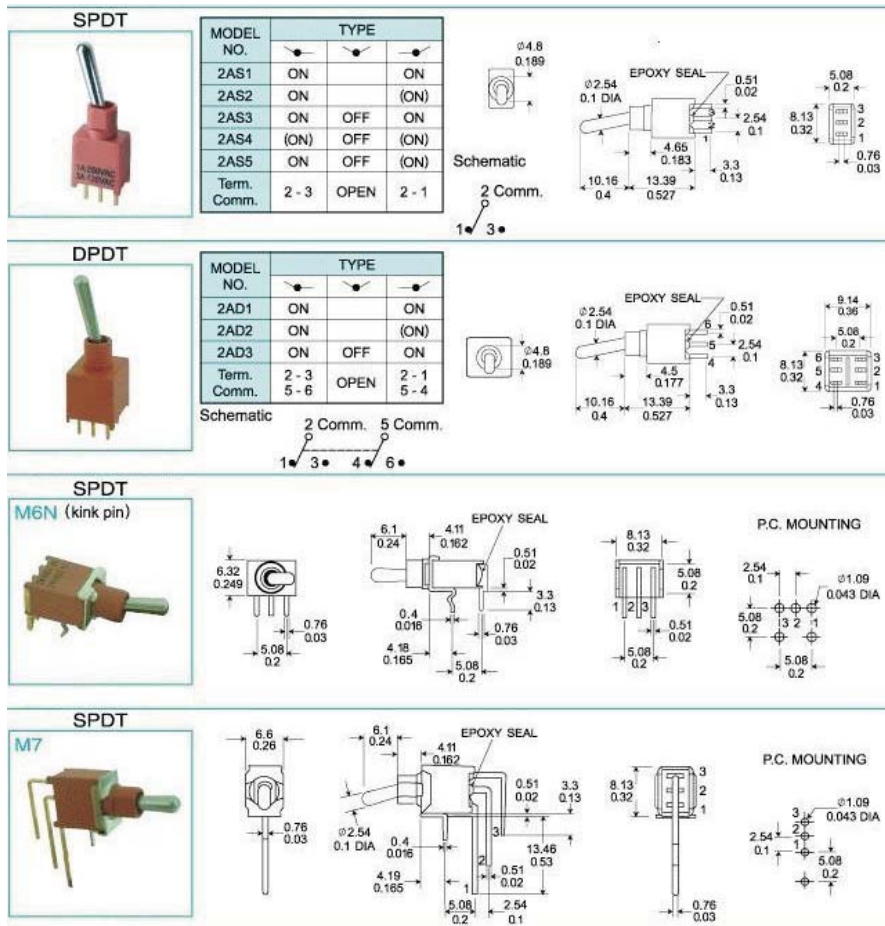
Switch

DIP Switch Series

KLS7-SST-10 (Sealed Sub-miniature type)

SPECIFICATIONS

Rating: 3A 125V AC / 1.5A 250V AC
 Electrical Life: 30000 Cycles
 Insulation resistance: 1000MΩ min
 Contact resistance: 20mΩ max
 Dielectric Strength: 1500V RMS@ Sea Level
 Operating Temperature: -30°C ~ +85°C
 Degree of protection: IP67



ORDER INFORMATION